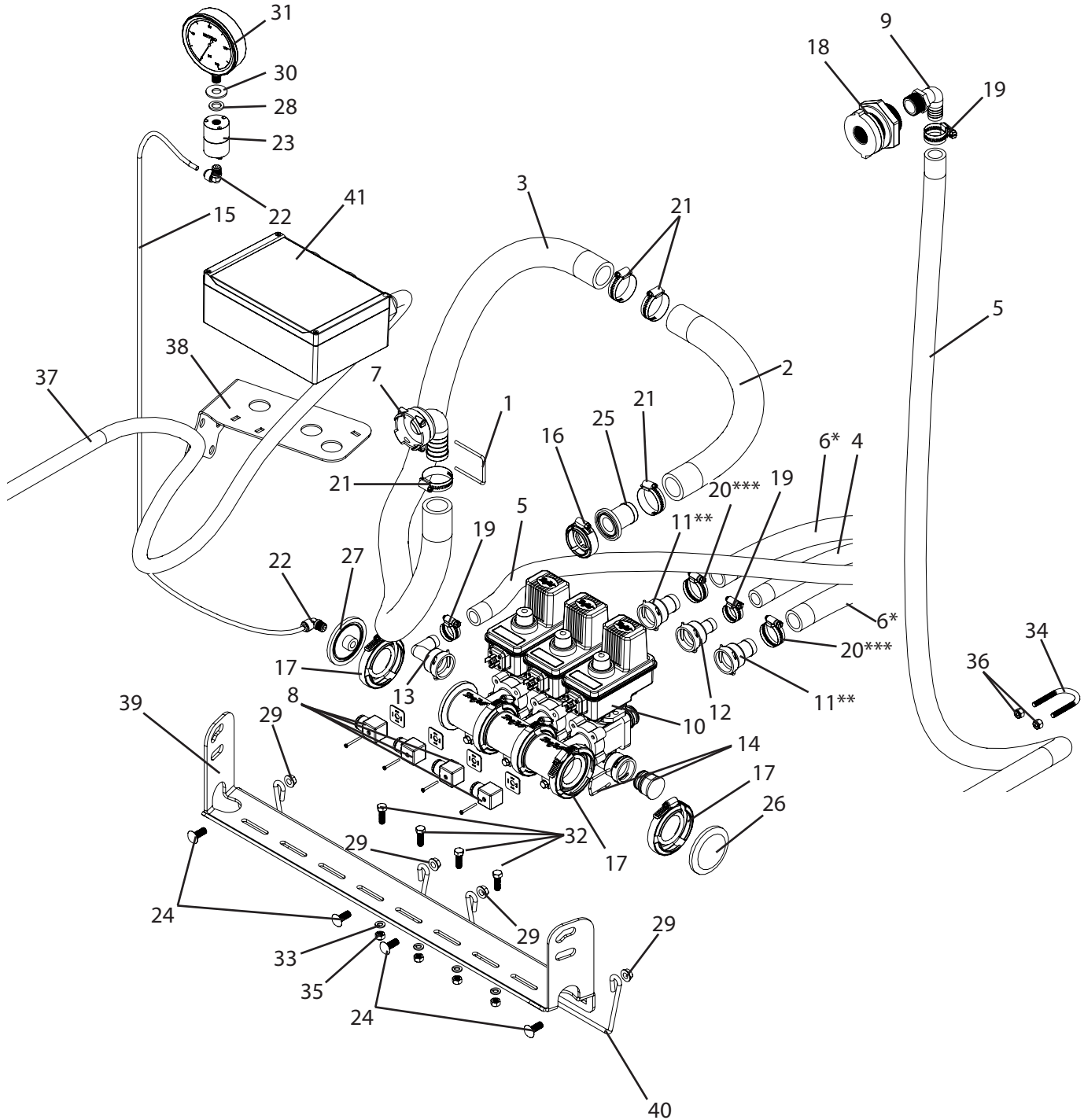


## CTR2-453, CTR2-455, CTR2-457 Breakdown

450 series manifold with flowback, 3, 5, & 7 sections, for large trailers



\* With 5 & 7 sections, or with a 45' boom, use item 4.

\*\* With 5 & 7 sections, or with a 45' boom, use item 12.

\*\*\* With 5 & 7 sections, or with a 45' boom, use item 19.

## CTR2-453, CTR2-455, CTR2-457 Breakdown

### 450 series manifold with flowback, 3, 5, & 7 sections, for large trailers

Ref#	Qty. 453	Qty. 455	Qty. 457	Part Number	Description
1	1	1	1	010006 ***	Fork, Retaining T6
2	1.67	1.67	1.67	10104	Hose, EPDM Rubber 1-1/4" 150 PSI
3	4.42	4.42	4.42	10104	Hose, EPDM Rubber 1-1/4" 150 PSI
4	21	135	215	1012	Hose, EPDM Rubber 3/4" 300 PSI
5	14	14	14	1012	Hose, EPDM Rubber 3/4" 300 PSI
6	70	0	0	1016 **	Hose, EPDM Rubber 1" 300 PSI
7	1	1	1	1190632 ***	Elbow, 1-1/4" HB x T6 QC
8	4	6	8	38082-15	Cable, 4 Pin Din Connector w/1.3m 3-Wire
9	1	1	1	3EL3434	Adapter, Hose 90° 3/4" MPT x 3/4" HB
10	1	1	1	453BEC-3FBQ-D*	Manifold, 3-Valve Flowback #75 flange inlets, QC, DIN connection
11	2	0	0	45529-1** +	Fitting, QC 1" Straight HB w/Clip & O-Ring
12	1	5	7	45529-3/4 +	Fitting, QC 3/4" Straight HB w/Clip & O-Ring
13	1	1	1	45529-90-3/4 +	Fitting, QC 3/4" 90° HB w/Clip & O-Ring
14	1	1	1	45529-P +	Fitting, QC Plug w/Clip & O-Ring
15	3.75	3.75	3.75	5156N	Tubing, Nylon 1/4" OD Black
16	1	1	1	55245-50 ++	Clamp, #50 Series & O-Ring Kit SS
17	3	3	3	55245-75 +++	Clamp, #75 Series & O-Ring Kit SS
18	1	1	1	62798	Fitting, Tank 3/4" FPT Dbl Tap (Requires 1-5/8" Hole)
19	4	12	16	6812052	Hose Clamp, 11/16" - 1-1/4" SS
20	4	0	0	6816052**	Hose Clamp, 13/16" - 1-1/2" SS
21	4	4	4	6820052	Hose Clamp, 13/16" - 1-3/4" SS
22	2	2	2	A4ME4	Adapter, TrueSeal Fitting 90° 1/4" Tube
23	1	1	1	BAAF	Isolator, Pressure Gauge 1/4" FPT
24	4	4	4	CB38*1G5	Bolt, Carriage 3/8-16 x 1" Gr 5
25	1	1	1	CP45505-PP	Fitting, Flange 1-1/4" HB #50
26	1	1	1	CP46069-PP	Cover, Blank Inlet Gauge Port Flange #75 Series
27	1	1	1	CP46127-1/4-PP	Fitting, Flange 1/4" FPT Gauge Port #75
28	1	1	1	FBWXQ	Washer, Fiber 5/8" x 3/4" x 1/16"
29	4	4	4	FN38	Nut, Flange 3/8-16
30	1	1	1	FW12S	Washer, Flat, 1/2" SS
31	1	1	1	GG1604	Gauge, 4" Liquid Filled 160 PSI
32	4	6	8	H5C516*1	Bolt, Hex 5/16-18 x 1" Gr 5
33	4	6	8	LW516	Washer, Lock 5/16"
34	1	1	1	N222083	Bolt, U-Bolt Round 1/4-20 x 1-1/8" x 2-1/4" Zinc
35	4	6	8	NC516	Nut, Hex 5/16-18
36	2	2	2	NNC14	Nut, Lock Nylon 1/4-20
37	1	1	1	T420	CropCare wiring harness, 26', for TeeJet controls
38	1	1	1	T853	Mount for wiring terminal box
39	1	1	1	T854	Control manifold mounting bracket
40	2	2	2	T856	Guide, Hose
41	1	1	1	T872	Electrical Box, CTR2 Controls

\* With 5 sections use 455BEC-3FBQ-D. (Includes breakdown for components.) + Includes clip (CP37166-302SS) and o-ring (CP7717-3-912-VI).

\* With 7 sections use 457BEC-3FBQ-D. (Includes breakdown for components.) ++ Includes o-ring (CP7717-2-222-VI).

\*\* Only used on 60' boom with three sections.

+++ Includes o-ring (CP7717-2-229-VI).

\*\*\* Items not used on sprayers without chemical education.