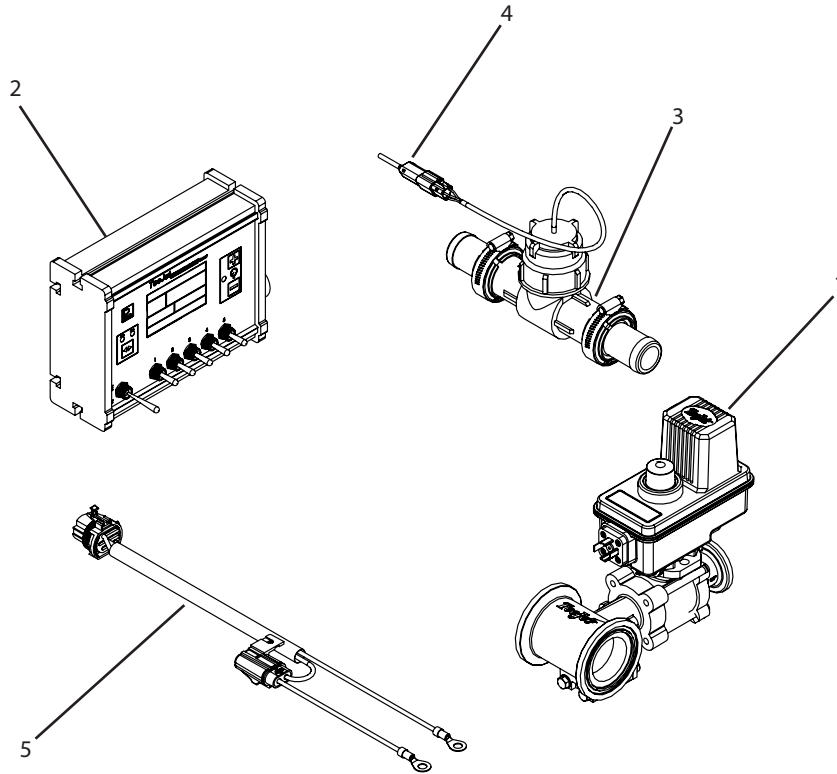


CTRL1-844 Breakdown

TeeJet 844E 5 Switch Control Console Subassembly



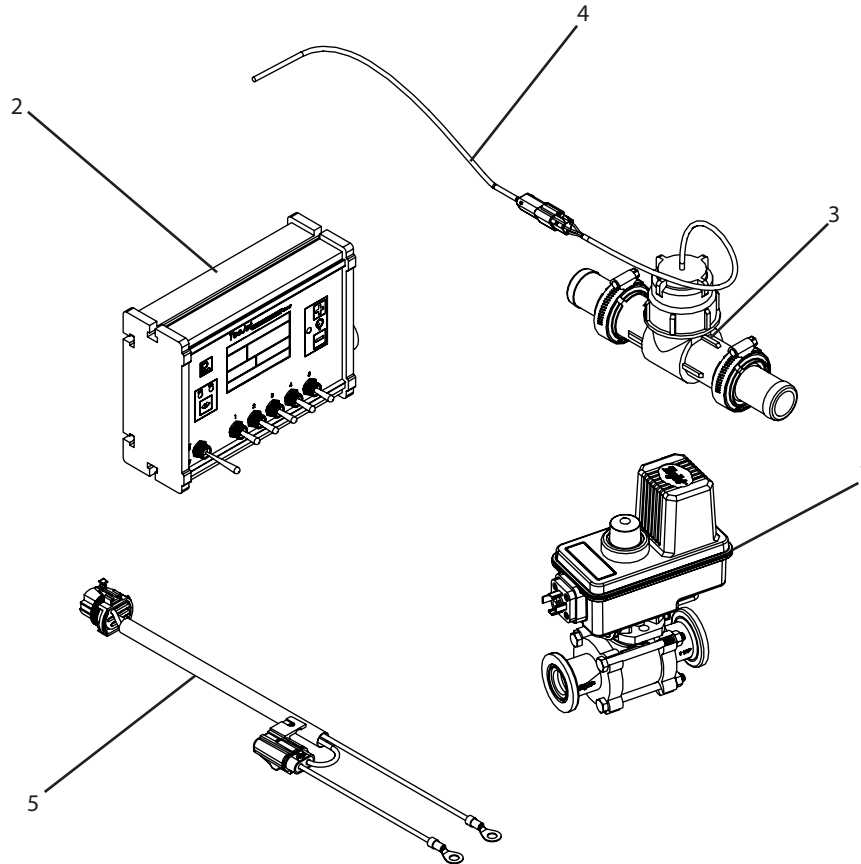
-For use with 450 series TeeJet section control valves.

Ref#	Qty.	Part Number	Description
1	1	35-02099-T*	Valve, Regulating Ball,6 Second with 450 manifold and flange
2	1	90-50143	Kit, 844E-5 Console w/Mounting Bracket & Manual
3	1	90-50232	Kit, Flowmeter 801 w/1-1/4" Hose Barbs
4	1	T422	CropCare flow meter sensor cable
5	1	T430	CropCare power harness, 12', for T420

*Breakdown available

CTRL1-844 Breakdown

TeeJet 844E 5 Switch Control Console Subassembly



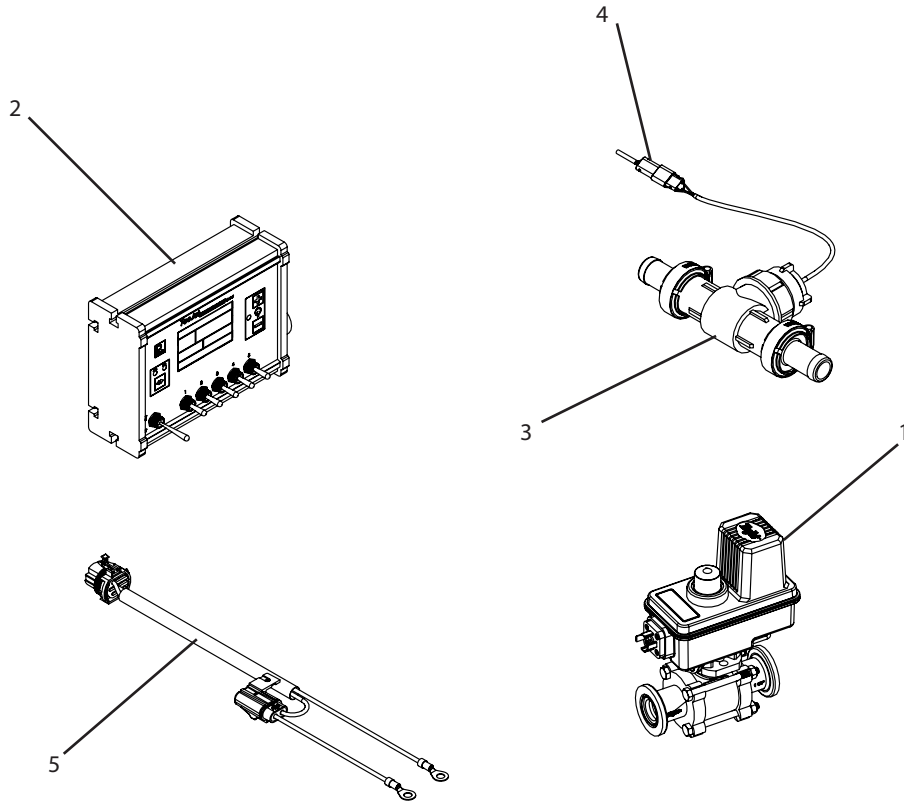
-For use with 460 series TeeJet section control valves.

Ref#	Qty.	Part Number	Description
1	1	344BRL-2F-03D*	Valve, Regulating Ball 1" Flange, 6 Second Operation, DIN cable
2	1	90-50143	Kit, 844E-5 Console w/Mounting Bracket & Manual
3	1	90-50232	Kit, Flowmeter 801 w/1-1/4" Hose Barbs
4	1	T422	CropCare flow meter sensor cable
5	1	T430	CropCare power harness, 12', for T420

*Breakdown available

CTRL1-844 Breakdown

TeeJet 844E 5 Switch Control Console Subassembly



-For use with 863 series ARAG section control valves.

Ref#	Qty.	Part Number	Description
1	1	344BRL-2F-03D*	Valve, Regulating Ball 1" Flange, 6 Second Operation, DIN cable
2	1	90-50143	Kit, 844E-5 Console w/Mounting Bracket & Manual
3	1	90-50230	Kit, Flow Meter 801 w/1" Hose Barbs
4	1	T422	CropCare flow meter sensor cable
5	1	T430	CropCare power harness, 12', for T420

*Breakdown available