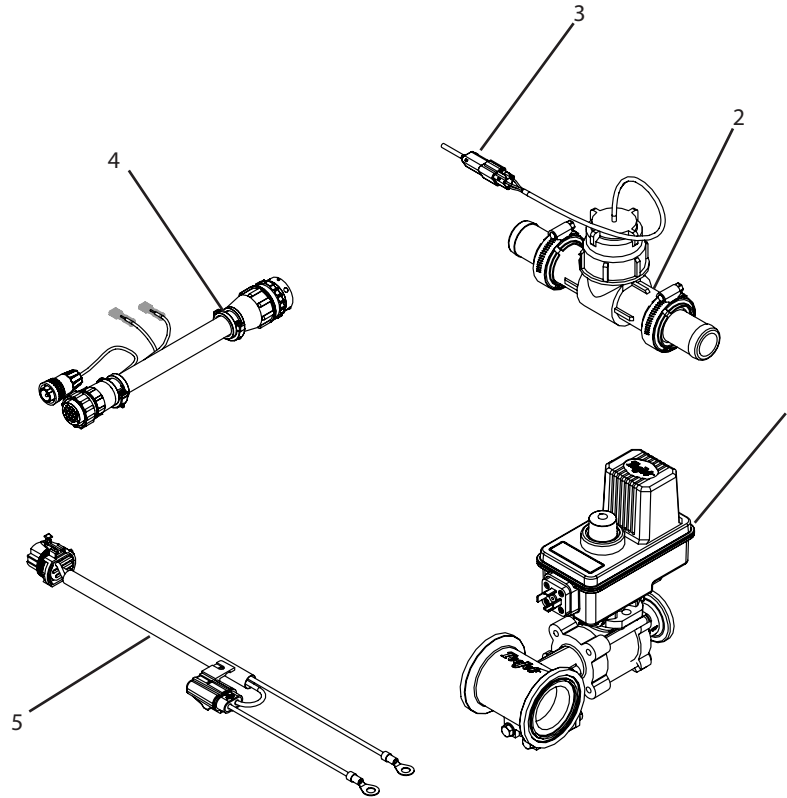


CTRL1-ADAPT Breakdown

Controller Subassembly, TJ to Raven Adapter Only



-For use with 450 series TeeJet section control valves.

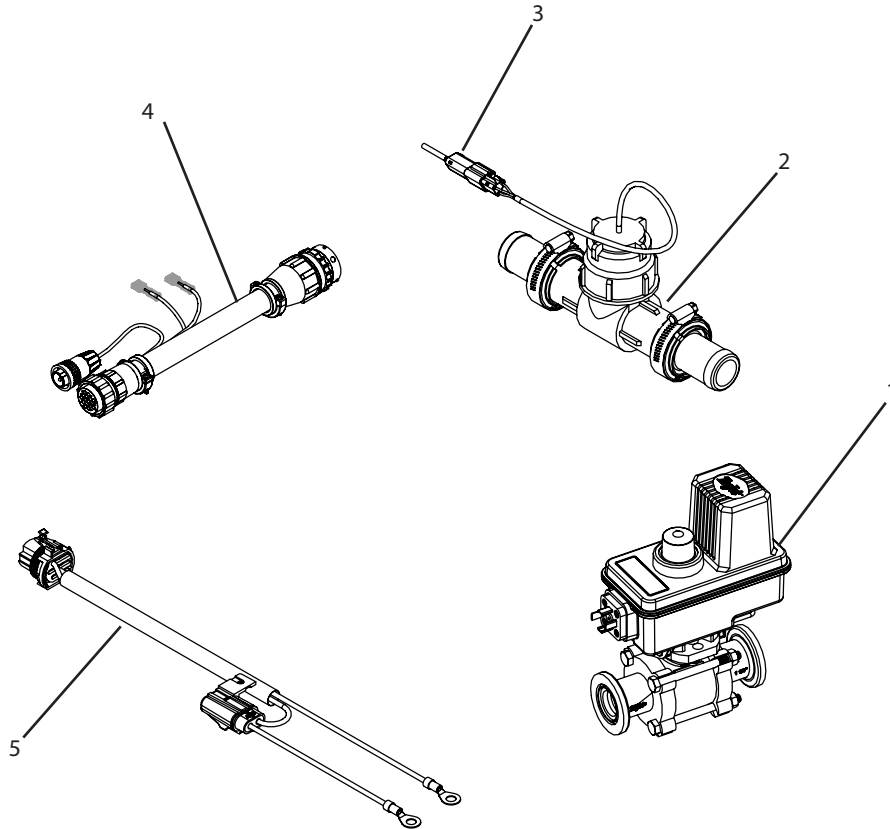
Ref#	Qty.	Part Number	Description
1	1	35-02099-T*+	Valve, Regulating Ball,6 Second with 450 manifold and flange
2	1	90-50232	Kit, Flowmeter 801 w/1-1/4" Hose Barbs
3	1	T422	CropCare flow meter sensor cable
4	1	T425	Adapter, Cable TeeJet (26 Pin) To Raven (16 Pin)
5	1	T430	CropCare power harness, 12', for T420

*Breakdown available

+Use 35-02099-T18 with manual rate control.

CTRL1-ADAPT Breakdown

Controller Subassembly, TJ to Raven Adapter Only



-For use with 460 series TeeJet section control valves or 863 series ARAG control valves.

Ref#	Qty.	Part Number	Description
1	1	344BRL-2F-03D*+	Valve, Regulating Ball 1" Flange, 6 Second Operation, DIN cable
2	1	90-50232**	Kit, Flowmeter 801 w/1-1/4" Hose Barbs
3	1	T422	CropCare flow meter sensor cable
4	1	T425	Adapter, Cable TeeJet (26 Pin) To Raven (16 Pin)
5	1	T430	CropCare power harness, 12', for T420

*Breakdown available

+Use 344BRL-2F-06D with manual rate control.

**Use 90-50230 with 863 ARAG valves.