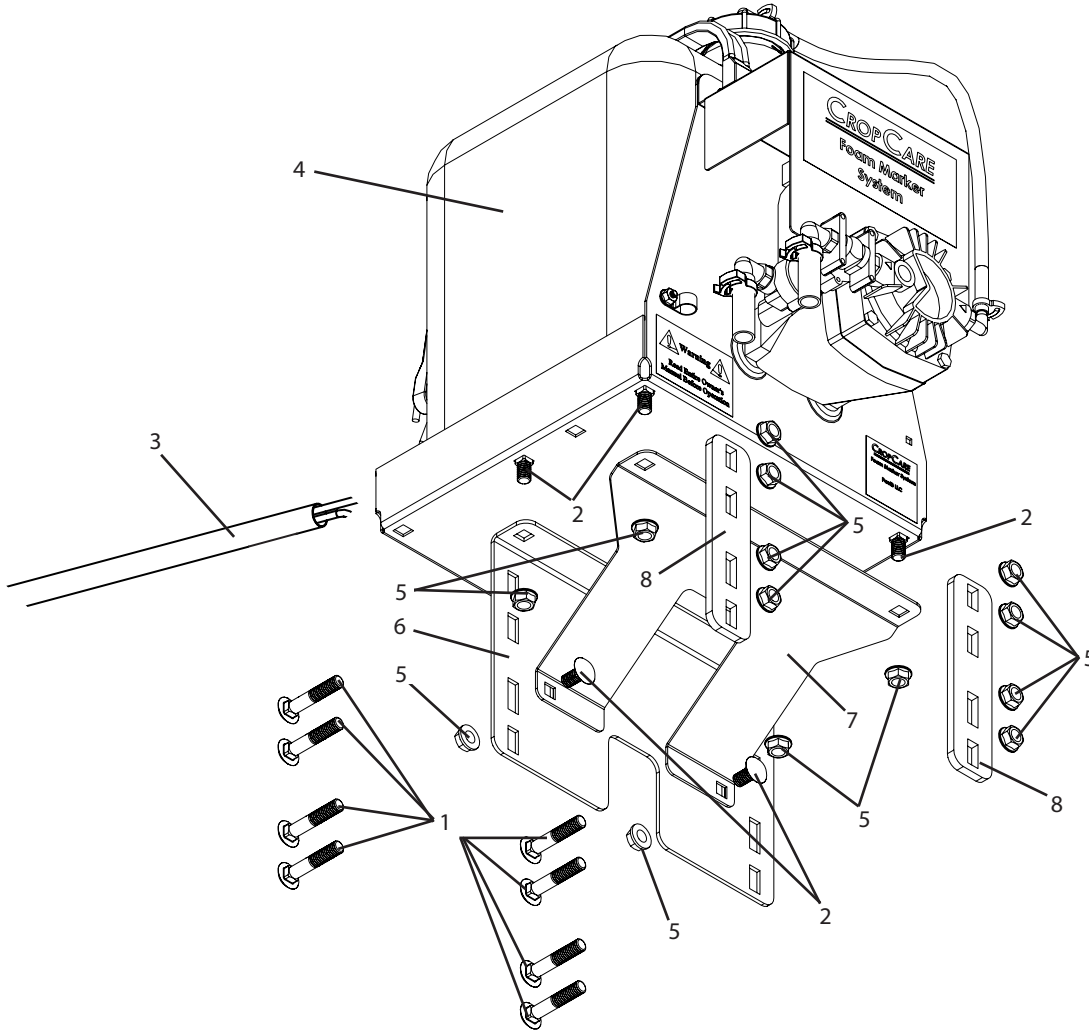


F1500-3PT-B Breakdown

F1500 foam marker, 5 gallon, boom mounted



Note:

-Use clamp AA11134 on MX30 and BF30M.

Ref#	Qty.	Part Number	Description
1	8	CB38*2G5	Bolt, Carriage 3/8-16 x 2" Gr 5
2	6	CB38*34G5	Bolt, Carriage 3/8-16 x 3/4" Gr 5
3	15 FT	DC784	Loom, Flex-Gard 3/8"
4	1	F1500A *	Foam Marker, System 5 Gal CropCare
5	14	FN38	Nut, Flange 3/8-16
6	1	T554	Bracket, black, to mount foamer on boom
7	1	T554A	Brace, black, to mount foamer on boom
8	2	T554B	Clip, black, to mount foamer on boom

*Additional parts breakdowns are available for these components.