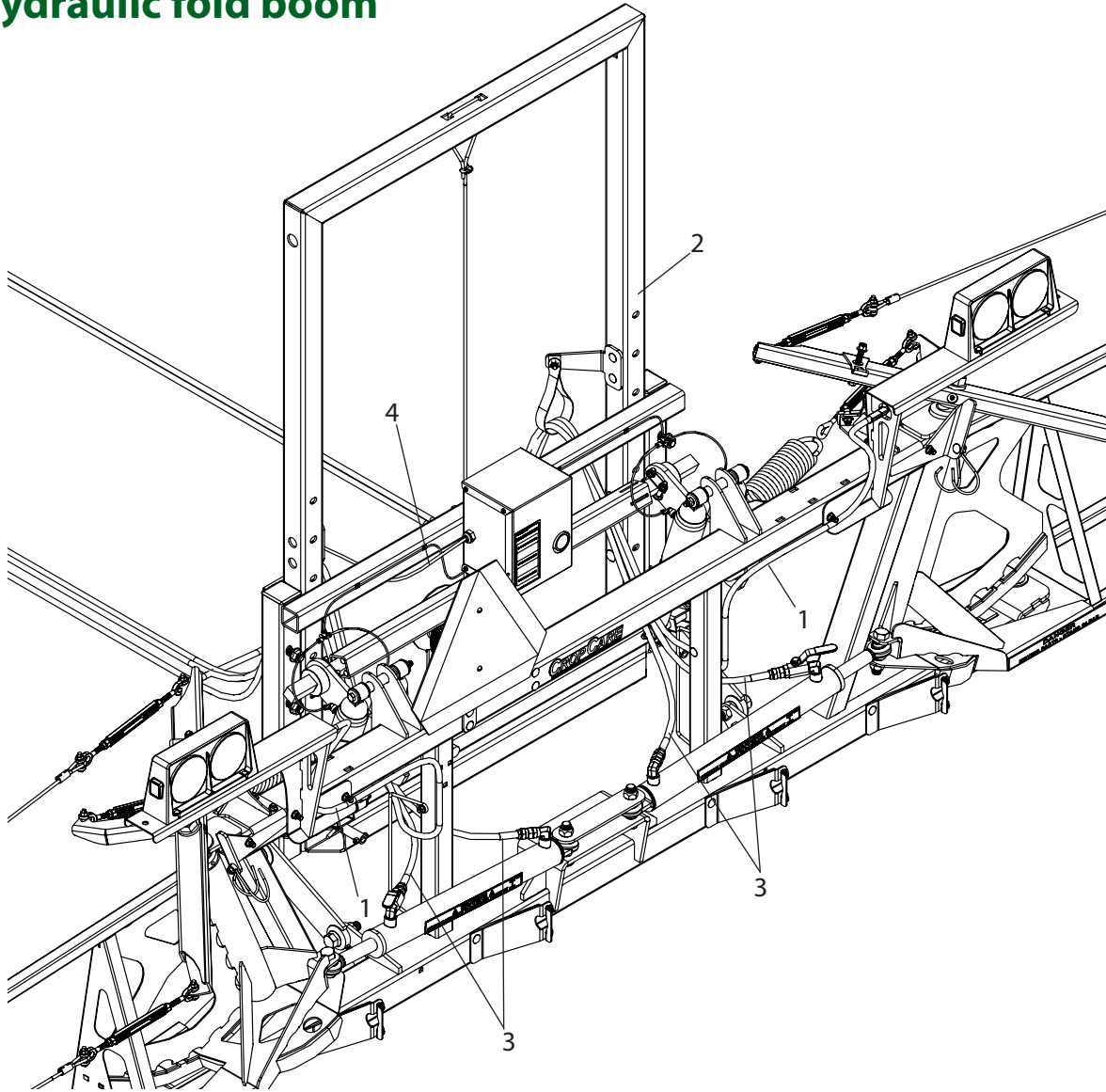


## HF45A Breakdown

### 45ft hydraulic fold boom



Ref#	Qty.	Part Number	Description
1	34FT	DC784	Loom, Flex-Gard 3/8"
1	27FT	DC784 *	Loom, Flex-Gard 3/8"
1	37FT	DC784 **	Loom, Flex-Gard 3/8"
2	1	HF45	45' Hydraulic Fold Boom
3	4	HH1424-2	24' Hose OAL, 1/4" with HY04-08MP & HY04-06MP ends
3	4	HH1417.5-2 *	17.5' Hose OAL, 1/4" W/HY04-08MP & HY04-06MP Ends
3	4	HH1427-2 **	27' Hose OAL, 1/4" W/HY04-08MP & HY04-06MP Ends
4	20FT	SC162	Wire, Jacketed Blk 16-2 SJOW
4	14FT	SC162 *	Wire, Jacketed Blk 16-2 SJOW
4	23FT	SC162 **	Wire, Jacketed Blk 16-2 SJOW

Shown for 500/750 gallon trailer configuration

\* For 3PT sprayer configuration

\*\* For 1000 gallon trailer configuration