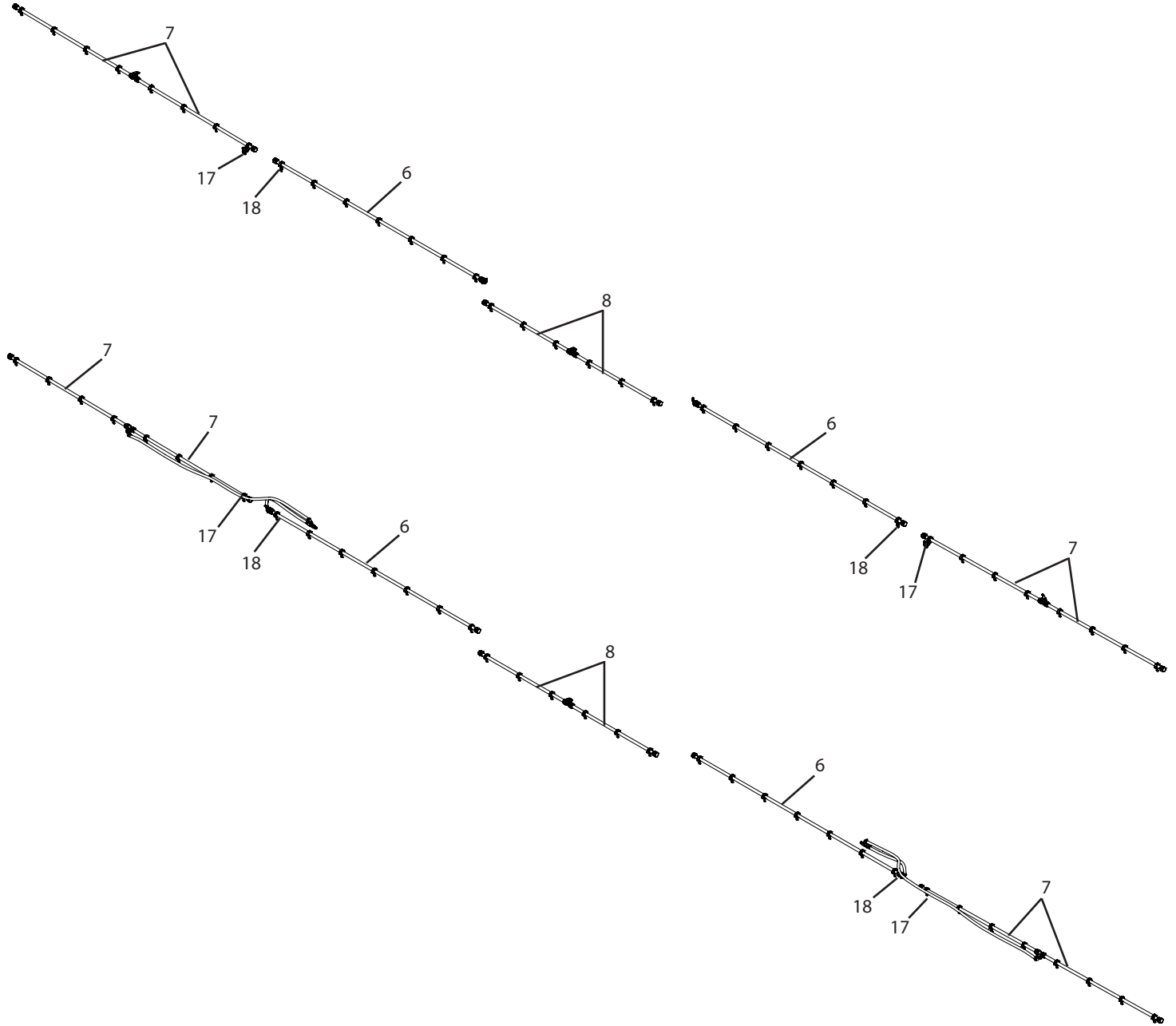


## HFP60-20 Breakdown

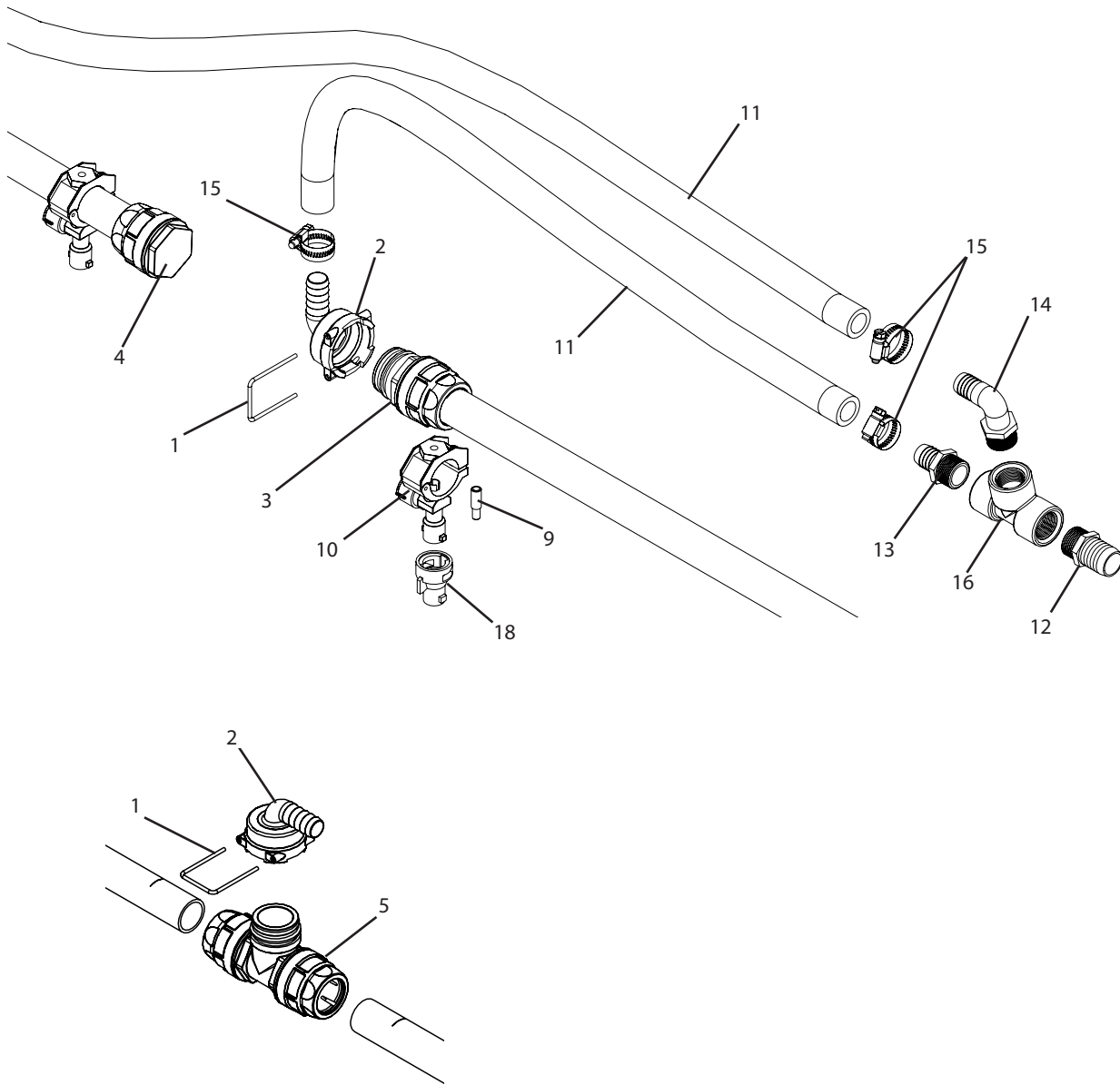
Boom plumbing, (36) QJ175 nozzle, 20in spacing

For 3 and 5 sections



## HFP60-20 Breakdown

### Boom plumbing, (36) QJ175 nozzle, 20in spacing



## HFP60-20 Breakdown

### Boom plumbing, (36) QJ175 nozzle, 20in spacing

#### For 3 and 5 sections

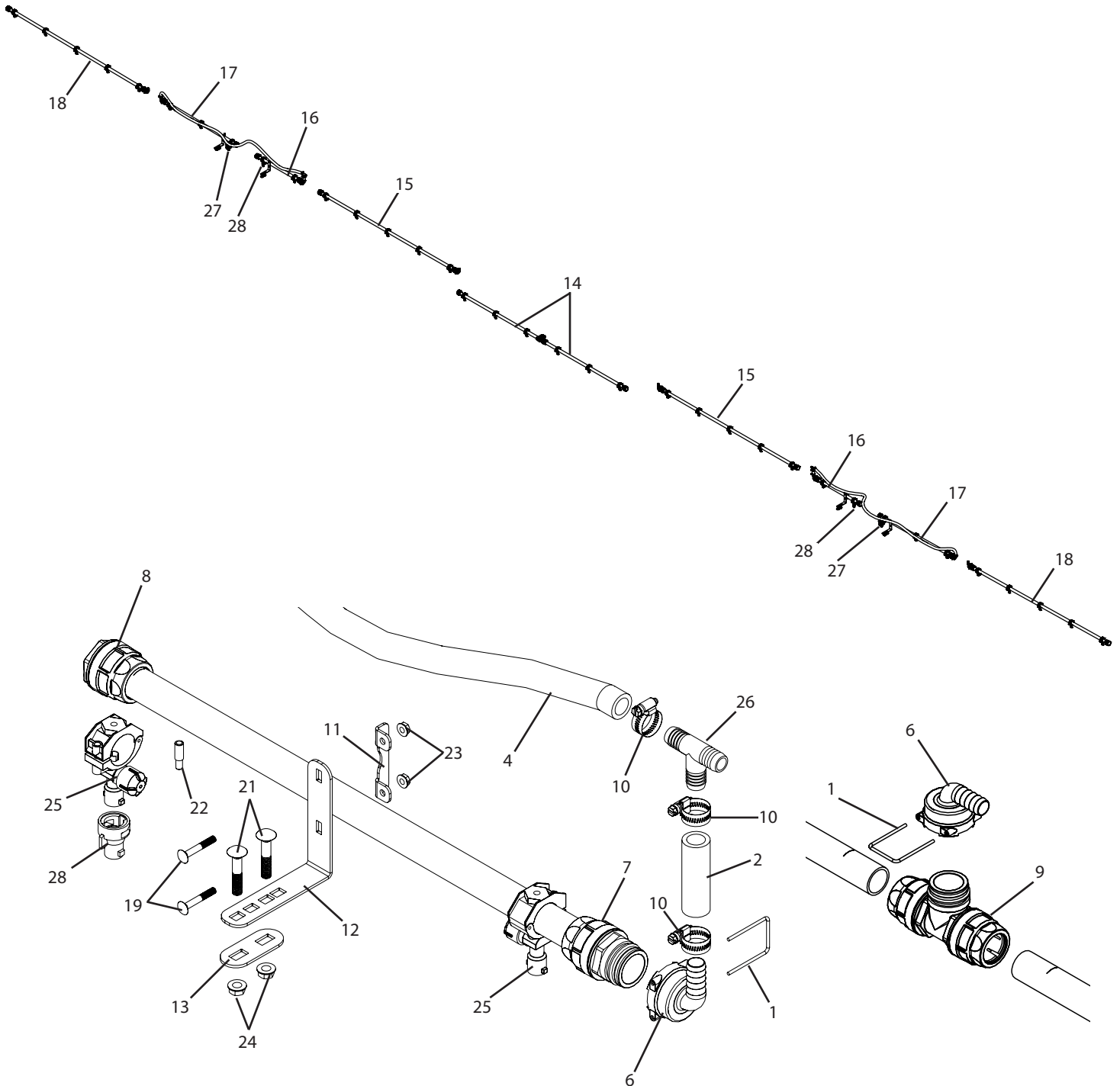
Ref#	Qty.	Part Number	Description
1	5	010005	Connector, Fork T5 QC
2	5	1190520	Elbow, 90° T5 x 3/4" (20mm) HB
3	3	190415	Fitting, End 1" Wet Line, with T5 male QC
4	10	190450	Cap, End 1" Wet Line
5	3	193415	Fitting, Tee 1" Wet Line
6	2	BP101	Inner wing wet line, 60' boom, 20" spacing
7	4	BP102	Outer wing wet line, 60' boom, 20" spacing
8	2	BP103	Center frame wet line, 60' boom, 20" spacing
9	10	CP98583-1-1-SS	Adapter, Rapid Stop (1" Pipe QJ360C QJ380 QJ380F QJS)
10	36	QJ17560A1NYB	Body, Nozzle Single 1" Wet Line
11	20 FT	1012 *	Hose, EPDM Rubber 3/4" 300 PSI
12	2	3A34100 *	Fitting, Hose 3/4" MPT x 1" HB
13	2	3A3434 *	Fitting, Hose 3/4" MPT x 3/4" HB
14	2	3EL3434 *	Adapter, Hose 90° 3/4" MPT x 3/4" HB
15	8	6812052 *	Hose Clamp, 1/2" - 1-1/4" SS
16	2	8TT34 *	Tee, Poly 3/4" FPT Sch 80
17	2	QJ3631NYB	Body, Nozzle QJ Triple Tee to 1" OD Pipe
18	2	50854-NYB	Adapter, Nozzle Quick Snap 1" Spacer

\* Used with 3 section controls.

## HFP60-20 Breakdown

**Boom plumbing, (36) QJ175 nozzle, 20in spacing**

**For 7 sections (5,5,5,6,5,5,5)**



## HFP60-20 Breakdown

### Boom plumbing, (36) QJ175 nozzle, 20in spacing

For 7 sections (5,5,5,6,5,5,5)

Ref#	Qty.	Part Number	Description
1	9	010005	Fork connector, T5 QC
2	.5 FT	1012	Hose, EPDM Rubber 3/4" 300 PSI
3	.5 FT	1012	Hose, EPDM Rubber 3/4" 300 PSI
4	8.5 FT	1012	Hose, EPDM Rubber 3/4" 300 PSI
5	8.5 FT	1012	Hose, EPDM Rubber 3/4" 300 PSI
6	9	1190520	1" barb to T5 connector, elbow
7	8	190415	Fitting, End 1" Wet Line, with T5 male QC
8	10	190450	Cap, End 1" Wet Line
9	1	193415	Fitting, Tee 1" Wet Line
10	8	6812052	Stainless hose clamp, 1/2" - 1 1/4"
11	4	BF45E19	Pipe clamp, outer wing
12	4	BF60E07	Wet line support
13	4	BF60E09	Clamp plate
14	2	BP103	Center frame wet line, 60' boom, 20" spacing
15	2	BP138	Inner Wing Wet Line, 60' Boom, 20in Spacing, 7 sections
16	2	BP139	Inner Wing Wet Line, 60' Boom, 20in Spacing, 7 sections
17	2	BP140	Outer wing wet line, 60' boom, 20in spacing, 7 sections
18	2	BP141	Outer wing wet line, 60' boom, 20in spacing, 7 sections
19	8	CB14*134G5	Carriage bolt, 1/4-20 x 1 3/4", grade 5
20	4	CB38*134G5 *	Carriage bolt, 3/8-16 x 1 3/4" grade 5
21	4	CB38*2G5 *	Carriage bolt, 3/8-16 x 2" grade 5
22	18	CP98583-1-1-SS	Adapter, Rapid Stop Nozzle Body 1" Pipe QJ360C QJ380 QJ380F QJS
23	8	FN14	Flange nut, 1/4-20
24	8	FN38	Flange nut, 3/8-16
25	34	QJ17560A1NYB	Body, Nozzle Single 1" Wet Line
26	2	T34	Poly hose barb tee, 3/4"
27	2	QJ3631NYB	Wet line nozzle body, triple body
28	2	50854-NYB	Nozzle body extension, 1"

\* CB38\*2G5 is used on the inner wing of the sprayer boom, and CB38\*134G5 is used on the outer wing of the sprayer boom.