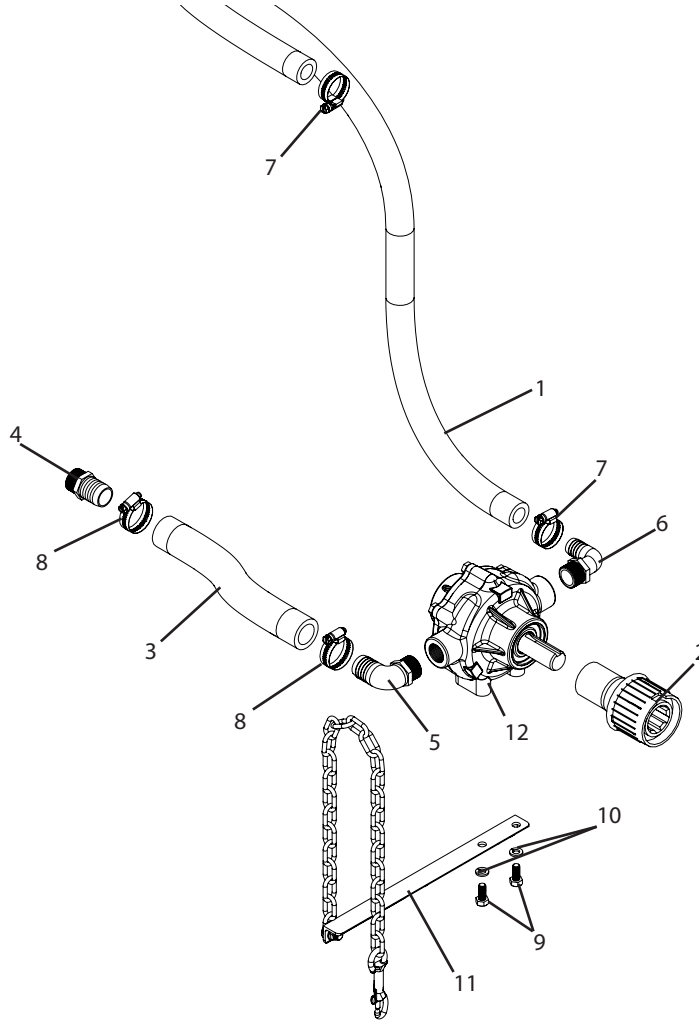


P3PT-7700C, 7700N, 7700XL Breakdown

7700C, 7700N, 7700XL Hypro roller pump with PTO coupler and torque arm



Ref#	Qty.	Part Number	Description
1	4 FT	1012	Hose, EPDM Rubber 3/4" 300 PSI
2	1	13230072	Coupler, Quick 540 RPM x 15/16" Pump Shaft Forged Steel
3	4 FT	3110	Hose, Suction EPDM Blend 1" 80 PSI
4	1	3A34100	Fitting, Hose 3/4" MPT x 1" HB
5	1	3EL34100	Adapter, Hose 90° 3/4" MPT x 1" HB
6	1	3EL3434	Adapter, Hose 90° 3/4" MPT x 3/4" HB
7	2	6812052	Hose Clamp, 1/2" - 1-1/4" SS
8	2	6816052	Hose Clamp, 1 1/16" - 1-1/2" SS
9	2	H5C516*34	Bolt, Hex 5/16-18 x 3/4" Gr 5
10	2	LW516	Washer, Lock 5/16"
11	1	PTA *	Torque arm assembly
		7700C	Pump, Roller Cast Iron 7-roller 15/16" shaft, 3/4" FPT ports
12	1	7700N	Pump, Roller Ni-Resist 7-Roller 15/16" Shaft 3/4" FPT ports
		7700XL	Pump, SilverCast 7-Roller 15/16" Shaft 3/4" FPT

* Component Parts Breakdowns are available for this part.