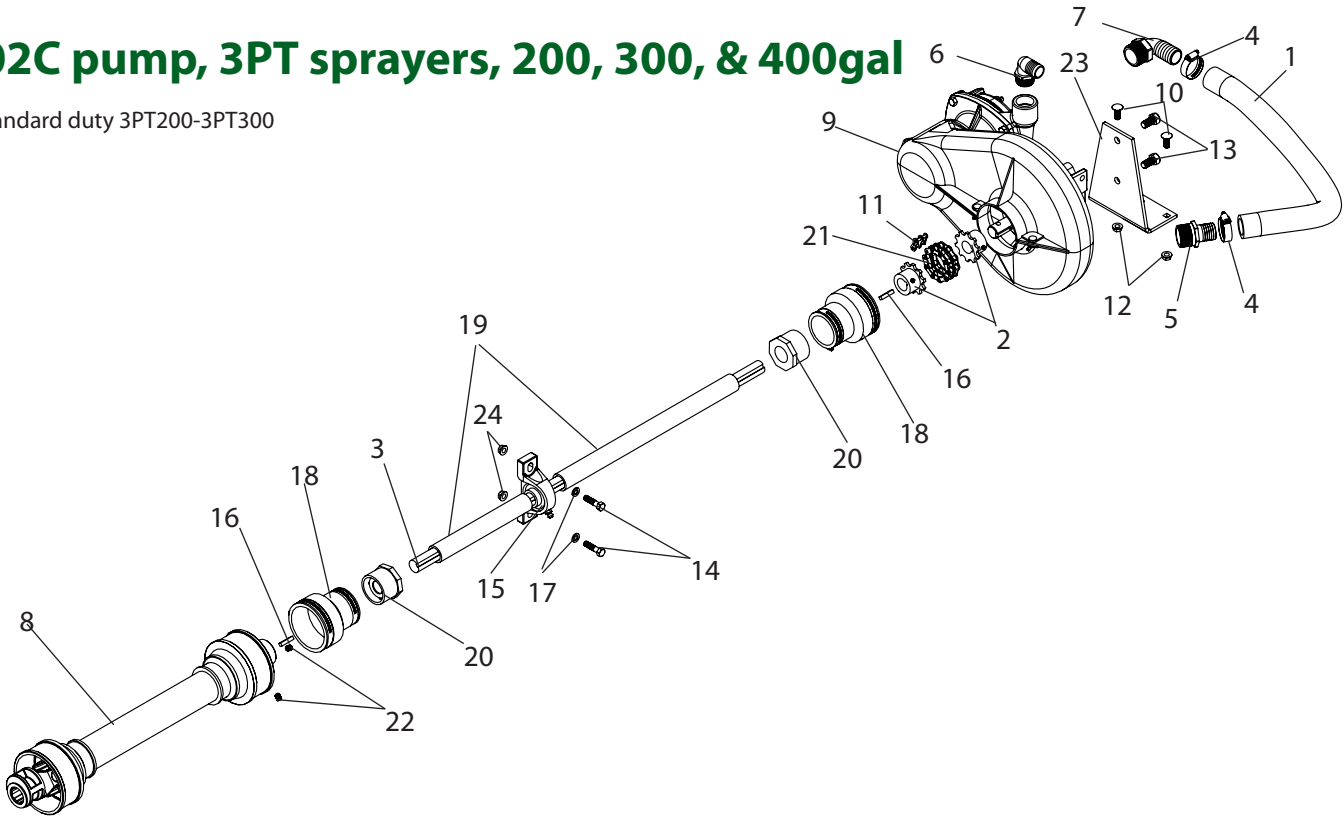


P3PT-9402C-HM Breakdown

9402C pump, 3PT sprayers, 200, 300, & 400gal

-For standard duty 3PT200-3PT300

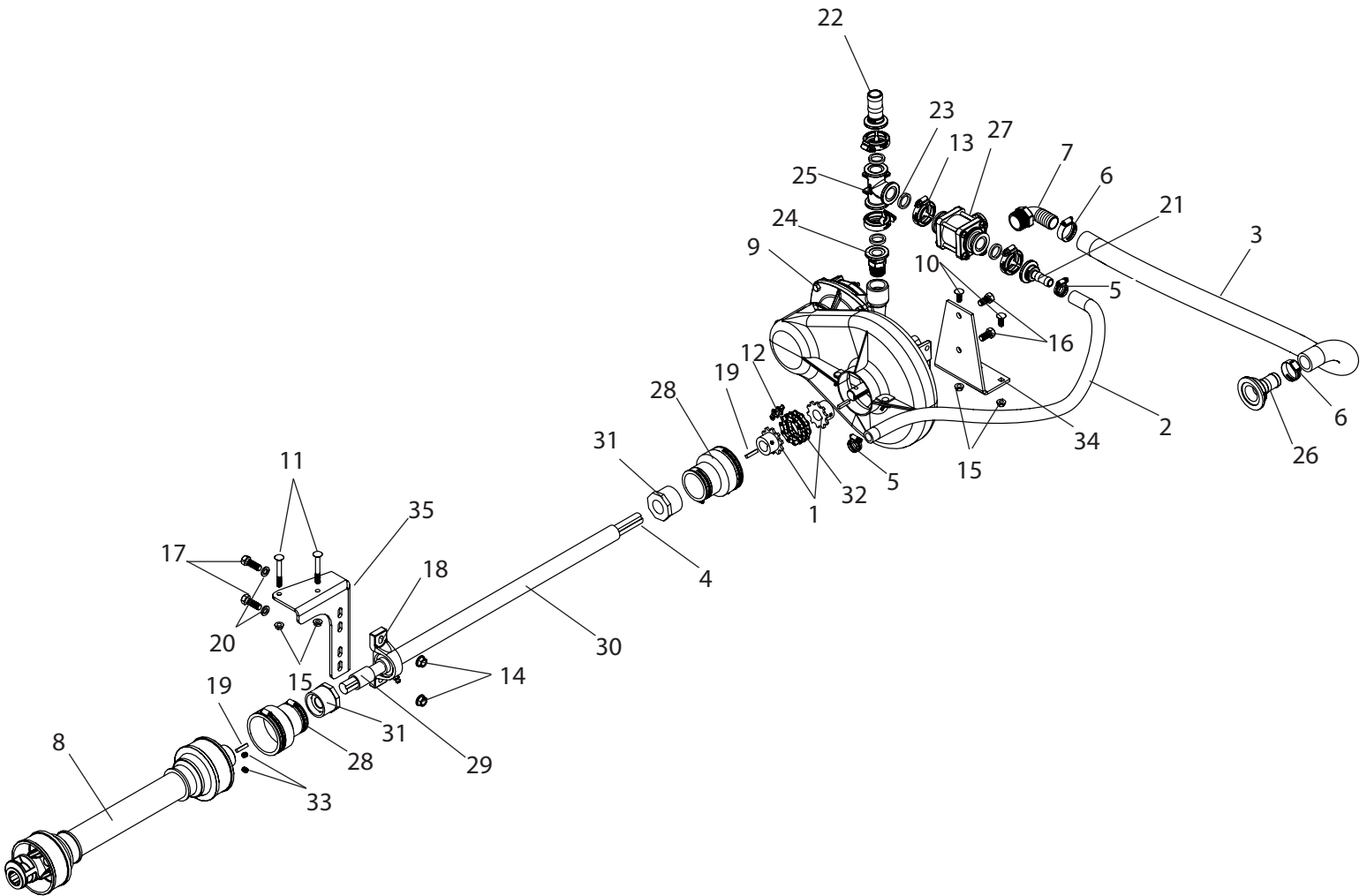


Ref#	Qty.	Part Number	Description
1	4ft	3111	Hose, Suction EPDM Blend 1-1/4" 70 PSI
2	2	0311600	Coupler, Roller Chain #60 Flexible 1" Bore Sprocket x 10 Teeth
3	1	1441600	Shaft, 1" x 36" x 1/4" Keyway
4	2	6820052	Hose Clamp, 13/16" - 1-3/4" SS
5	1	3A114	Fitting, Hose 1-1/4" MPT x 1-1/4" HB
6	1	3EL100	Adapter, Hose Ell 1" MPT x 1" HB
7	1	3EL114	Elbow, Hose 90° 1-1/4" MPT x 1-1/4" Barb
8	1	7101051UC007602	Driveline, PTO BP #1 * 1-3/8" 6 Spline x 1" RB
9	1	9402C540S	Pump, Centrifugal Belt-Driven 1" Shaft 1-1/4" FPT Inlet 1" FPT Outlet
10	2	CB38*1G5	Bolt, Carriage 3/8-16 x 1" Gr 5
11	1	CL60PRC	Link, Connector Chain No 60-1 PRC
12	2	FN38	Nut, Flange 3/8-16
13	2	H5C12*1	Bolt, Hex 1/2-13 x 1" Gr 5
14	2	H5C38*112	Bolt, Hex 3/8-16 x 1-1/2" Gr 5
15	1	HCP205-16P	Bearing, Pillow Block 1" Bore
16	2	KEY14	Key, Machine 1/4" x 1-1/4" Sq Ends
17	2	FW38	Washer, Flat 3/8"
18	2	P105632	Coupling, Flex Seal 3" x 2" Fernco
19	3ft	PVC1	Pipe, 1" Sch 40 PVC
20	2	RB21P	Bushing, Reducer PVC 2" x 1" Sch 40
21	0.56ft	RC60RPRC	Chain, Roller Import #60-1R 3/4" Pitch
22	2	SSC38*12	Screw, Allen 3/8-16 x 1/2" Long
23	1	T563	Pump mount bracket, 9402C on 3PT300 frame
24	2	SNC38	Nut, Lock Steel 3/8-16

P3PT-9402C-HM Breakdown

9402C pump, 3PT sprayers, 200, 300, & 400gal

-For Heavy Duty 3PT300-3PT400



P3PT-9402C-HM Breakdown

Ref#	Qty.	Part Number	Description
1	2	0311600	Coupler, Roller Chain #60 Flexible 1" Bore Sprocket x 10 Teeth
2	2.5ft	1012	Hose, EPDM Rubber 3/4" 300 PSI
3	3.5ft	3112	Hose, Suction EPDM Blend 1-1/2" 60 PSI
4	1	1441600	Shaft, 1" x 36" x 1/4" Keyway
5	2	6812052	Hose Clamp, 11/16" - 1-1/4" SS
6	2	6824052	Hose Clamp, 1-1/16" - 2" SS
7	1	3EL114112	Elbow, Hose 90° 1-1/4" MPT x 1-1/2" Barb
8	1	7101051UC007602	Driveline, PTO BP #1 * 1-3/8" 6 Spline x 1" RB
9	1	9402C540S	Pump, Centrifugal Belt-Driven 1" Shaft 1-1/4" FPT Inlet 1" FPT Outlet
10	2	CB38*1G5	Bolt, Carriage 3/8-16 x 1" Gr 5
11	2	CB38*3G5	Bolt, Carriage 3/8-16 x 3" Gr 5
12	1	CL60PRC	Link, Connector Chain No 60-1 PRC
13	4	FC100	Clamp, Flange 1" Std SS
14	2	SNC38	Nut, Lock Steel 3/8-16
15	4	FN38	Nut, Flange 3/8-16
16	2	H5C12*1	Bolt, Hex 1/2-13 x 1" Gr 5
17	2	H5C38*112	Bolt, Hex 3/8"-13 x 1-1/2" Gr 5
18	1	HCP205-16P	Bearing, Pillow Block 1" Bore
19	2	KEY14	Key, Machine 1/4" x 1-1/4" Sq Ends
20	2	FW38	Washer, Flat 3/8"
21	1	M100075BRB	Fitting, Flange 3/4" HB x 1" Flange
22	1	M100125BRB	Fitting, Flange 1-1/4" HB x 1" Flange
23	4	M100G	Gasket, Manifold EDPM 1"
24	1	M100MPT	Fitting, Flange 1" MPT x 1" Flange
25	1	M100TEE	Tee, Flange 1" Tee
26	1	M200150BRB	Fitting, Flange 1-1/2" HB x 2" Flange
27	1	MV100CF	Valve, Ball 1" Flange x 1" Flange
28	2	P105632	Coupling, Flex Seal 3" x 2" Fernco
29	0.151ft	PVC1	Pipe, 1" Sch 40 PVC
30	2.166ft	PVC1	Pipe, 1" Sch 40 PVC
31	2	RB21P	Bushing, Reducer PVC 2" x 1" Sch 40
32	0.56ft	RC60RPRC	Chain, Roller Import #60-1R 3/4" Pitch
33	2	SSC38*12	Screw, Allen 3/8-16 x 1/2" Long
34	1	T563	Pump mount bracket, 9402C on 3PT300 frame
35	1	T594	3pt sprayer, bearing plate for PTO
36	1	M100125BRB90*	Flange, 1-1/4" 90 Degree HB x 1" Flange

-Current breakdown configuration is shown for use on a sprayer w/o a convenience package.

*Part used when pump is being paired with a convenience package. (Installed on outlet side of pump).