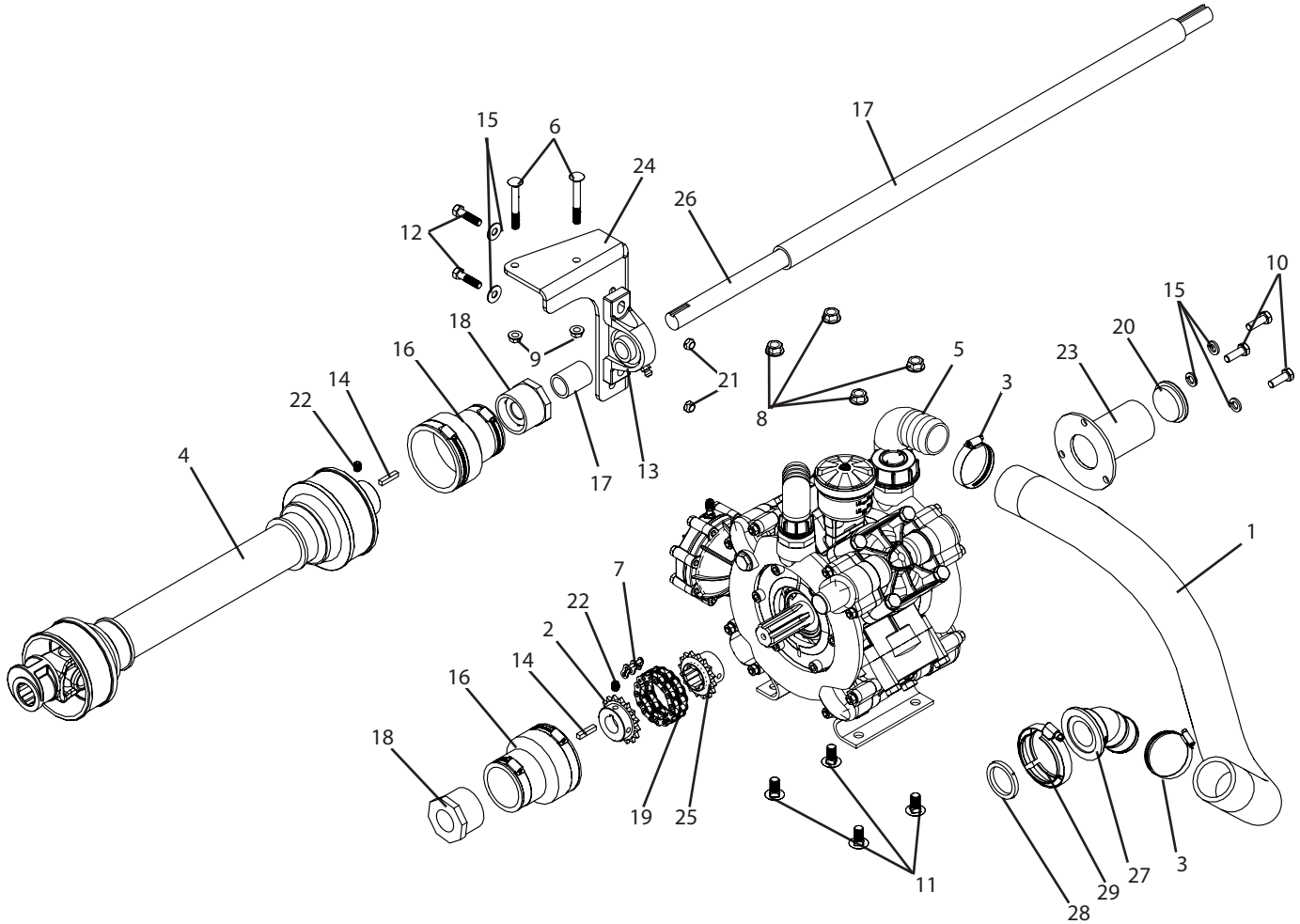


P3PT-D160-M Breakdown

D160 Hypro (4) diaphragm pump with PTO shaft



P3PT-D160-M Breakdown

D160 Hypro (4) diaphragm pump with PTO shaft

Ref#	Qty.	Part Number	Description
1	3 FT	3120	Hose, Suction 2" EPDM Blend 60 PSI
2	1	401616	Sprocket, Roller Chain 16 Teeth 1" Bore (Use w/No. 40 - 1/2" Pitch Chain)
3	2	6832	Hose Clamp, 1-1/2" - 2-1/2" SS
4	1	7101051UC007602	Driveline, PTO BP #1 * 1-3/8" 6 Spline x 1" RB approx. 27.125" oa length collapsed
5	1	9910D160 *	Pump, Diaphragm (4) 2" HB Inlet X 1-1/2" HB Outlet 42.5 GPM 290 PSI
6	2	CB38*3G5	Bolt, Carriage 3/8-16 x 3" Gr 5
7	1	CL402US	Link, Connector Chain No. 40-2 USA
8	4	FN12	Nut, Flange 1/2-13
9	2	FN38	Nut, Flange 3/8-16
10	3	H10*30M	Bolt, Hex 10mm x 30mm 1.50 pitch 10.9 Zinc
11	4	H5C12*1	Bolt, Hex 1/2-13 x 1" Gr 5
12	2	H5C716*212	Bolt, Hex 7/16-14 x 2-1/2" Gr 5
13	1	HCP205-16P	Bearing, Pillow Block 1" Bore
14	2	KEY14	Key, Machine 1/4" x 1-1/4" Sq Ends
15	5	LW716	Washer, Lock 7/16"
16	2	P105632	Coupling, Flex Seal 3" x 2" Fernco
17	3 FT	PVC1	Pipe, 1" Sch 40 PVC
18	2	RB21P	Bushing, Reducer PVC 2" x 1" Sch 40
19	0.7 FT	RC402US	Chain, Roller USA, #40-2R, 1/2" pitch
20	1	RT191	Cap, Pipe Black Poly 2-3/8" OD Round
21	2	SNC716	Nut, Lock Steel 7/16-14
22	2	SSC38*12	Screw, Allen Set 3/8-16 x 1/2"
23	1	T567	PTO shaft cover for diaphragm pump
24	1	T594	3pt sprayer, bearing plate for PTO
25	1	T608	Hub & Sprocket Weldment
26	1	T616	Shaft, 3pt pump kit, high pressure
27	1	M200BRB45 +	Fitting, Flange 2" 45 Degree HB Elbow x 2" Flange
28	1	M201G +	Gasket, Manifold EPDM 2" w/Rib
29	1	FC200 +	Clamp, Flange 2" Std SS

* Component parts breakdowns are available for these parts.

+ Parts are not used with rinse, education, and quick fill subassemblies.