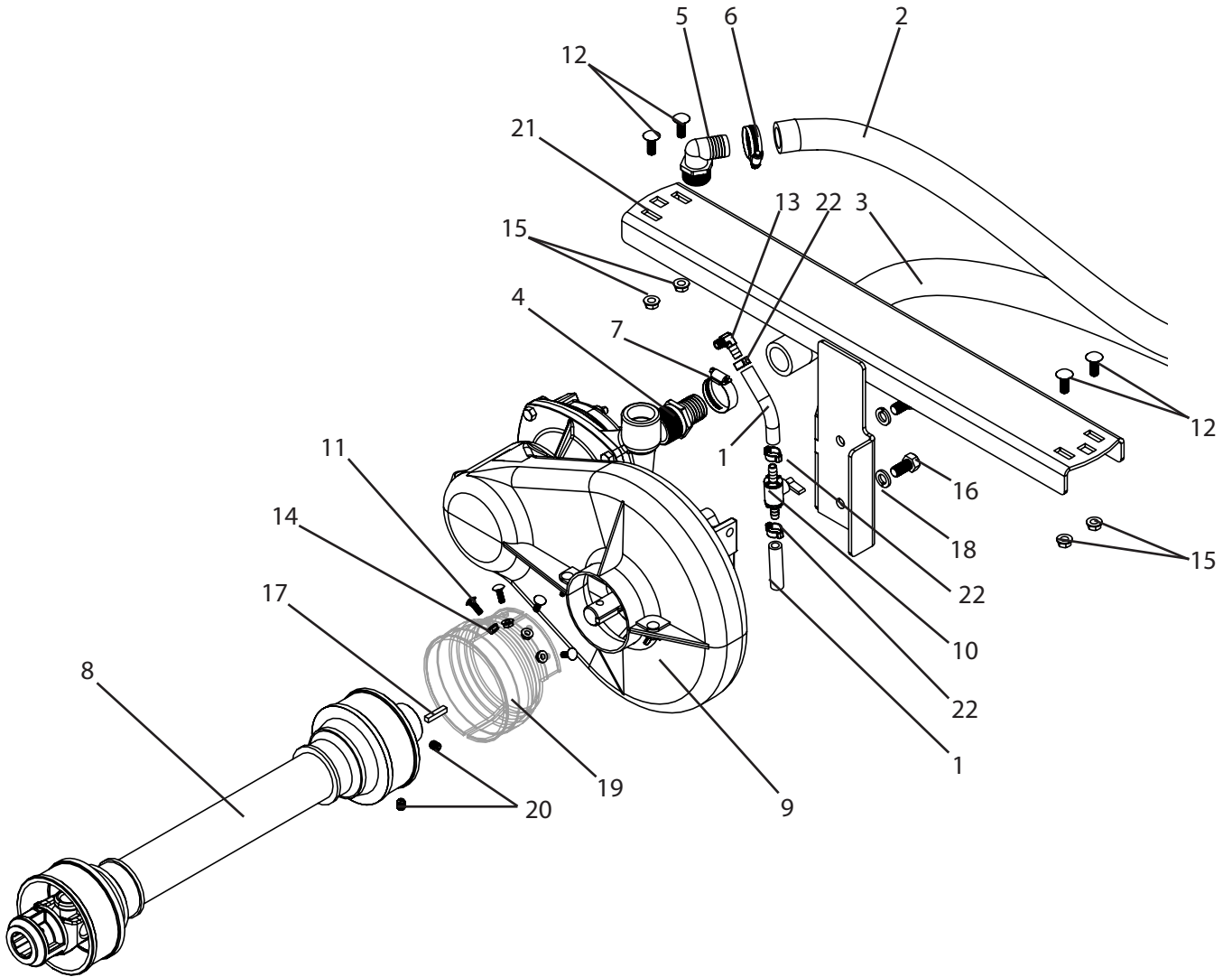


P3PT1-9402C540S Breakdown

9402C pump, 200/300 gallon 3PT



P3PT1-9402C540S Breakdown

9402C pump, 200/300 gallon 3PT

Ref#	Qty.	Part Number	Description
1	1.5 FT	1006	Hose, EPDM Rubber 3/8" 300 PSI
2	4 FT	1016	Hose, EPDM Rubber 1" 300 PSI
3	4 FT	3111	Hose, Suction EPDM Blend 1-1/4" 70 PSI
4	1	3A114	Fitting, Hose 1-1/4" MPT x 1-1/4" HB
5	1	3EL100	Adapter, Hose Ell 1" MPT x 1" HB
6	2	6816052	Hose Clamp, 13/16" - 1-1/2" SS
7	2	6820052	Hose Clamp, 13/16" - 1-3/4" SS
8	1	7101051UC007602	Driveline, PTO BP #1 * 1-3/8" 6 Spline x 1" RB
9	1	9402C540S *	Pump, Centrifugal Belt-Driven 1" Shaft 1-1/4" FPT Inlet 1" FPT Outlet
10	1	9432	Valve, Ball 3/8" Hose Barbs
11	4	CB14*34	Bolt, Carriage 1/4-20 x 3/4" Gr 2
12	4	CB38*1G5	Bolt, Carriage 3/8-16 x 1" Gr 5
13	1	EL1838BR	Adapter, Hose Ell 1/8" MPT x 3/8" HB Brass
14	4	FN14	Nut, Flange 1/4-20
15	4	FN38	Nut, Flange 3/8-16
16	2	H5C12*1	Bolt, Hex 1/2-13 x 1" Gr 5
17	1	KEY14	Key, Machine 1/4" x 1-1/4" Sq Ends
18	2	LW12	Washer, Lock 1/2"
19	1	PCX0244	Coupling, Flex 5" x 4"
20	2	SSC38*12	Screw, Allen Set 3/8-16 x 1/2"
21	1	T307	Pump Mount, 200-300 3PT, 9402C and FMC pumps
22	3	W1518	Clamp, Oetiker 5/8"

*Has component parts breakdown available.