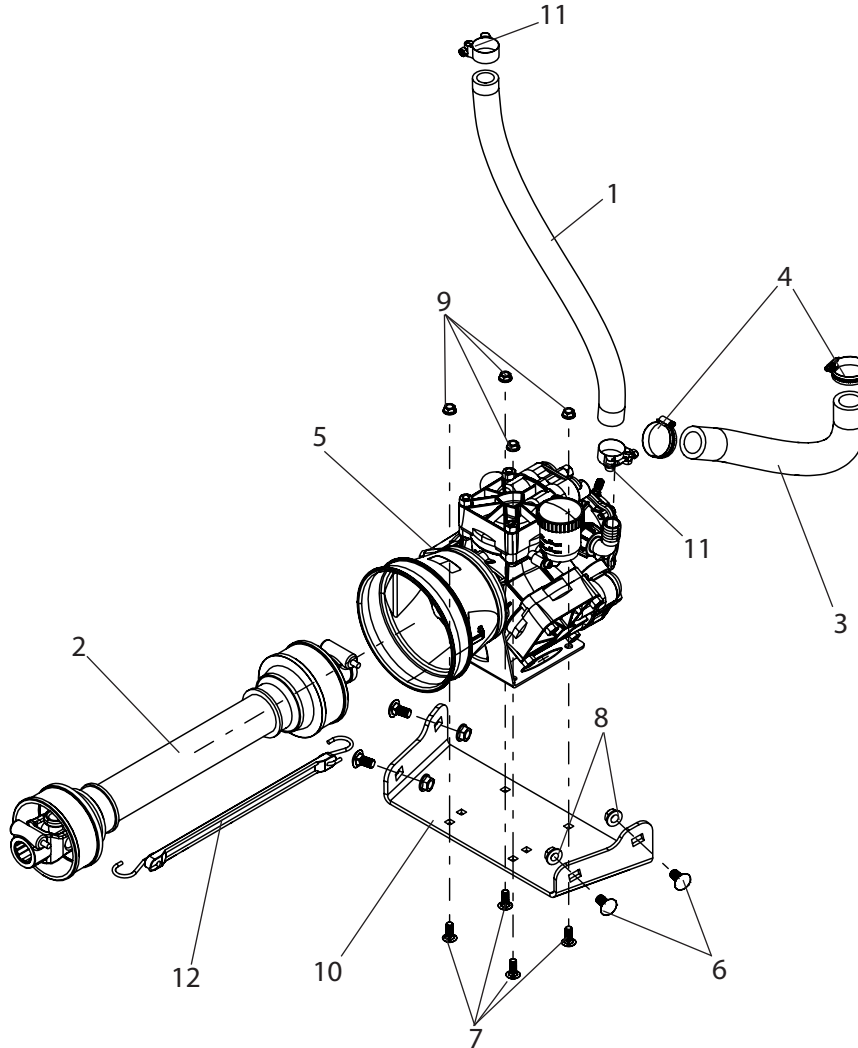


## P400-D135 Breakdown

### D135 Hyrpo (3) diaphragm pump subassembly



Ref#	Qty.	Part Number	Description
1	2	1116	Hose, Nitrile Grizzly 1" 500 PSI
2	1	14006127	Driveline, (PTO Series 1) 540 x 540 27" Lg
3	4.5	3112	Hose, Suction EPDM Blend 1-1/2" 60 PSI
4	2	6824052	Hose Clamp, 1-1/16" - 2" SS
5	1	9910D135	Pump, Diaphragm (3) 1-1/2" Hose Barb Inlet 1" Hose Barb Outlet 34.8 GPM 290 PSI
6	4	CB12*1G5	Bolt, Carriage 1/2-13 x 1" Gr 5
7	4	CB38*1G5	Bolt, Carriage 3/8-16 x 1" Gr 5
8	4	FN12	Nut, Flange 1/2-13
9	4	FN38	Nut, Flange 3/8-16
10	1	T453	Pump mount plate
11	2	TB138	Clamp, T-Bolt 1-3/8" - 1-9/16"
12	1	TS15	Tarp Strap, 15" Rubber