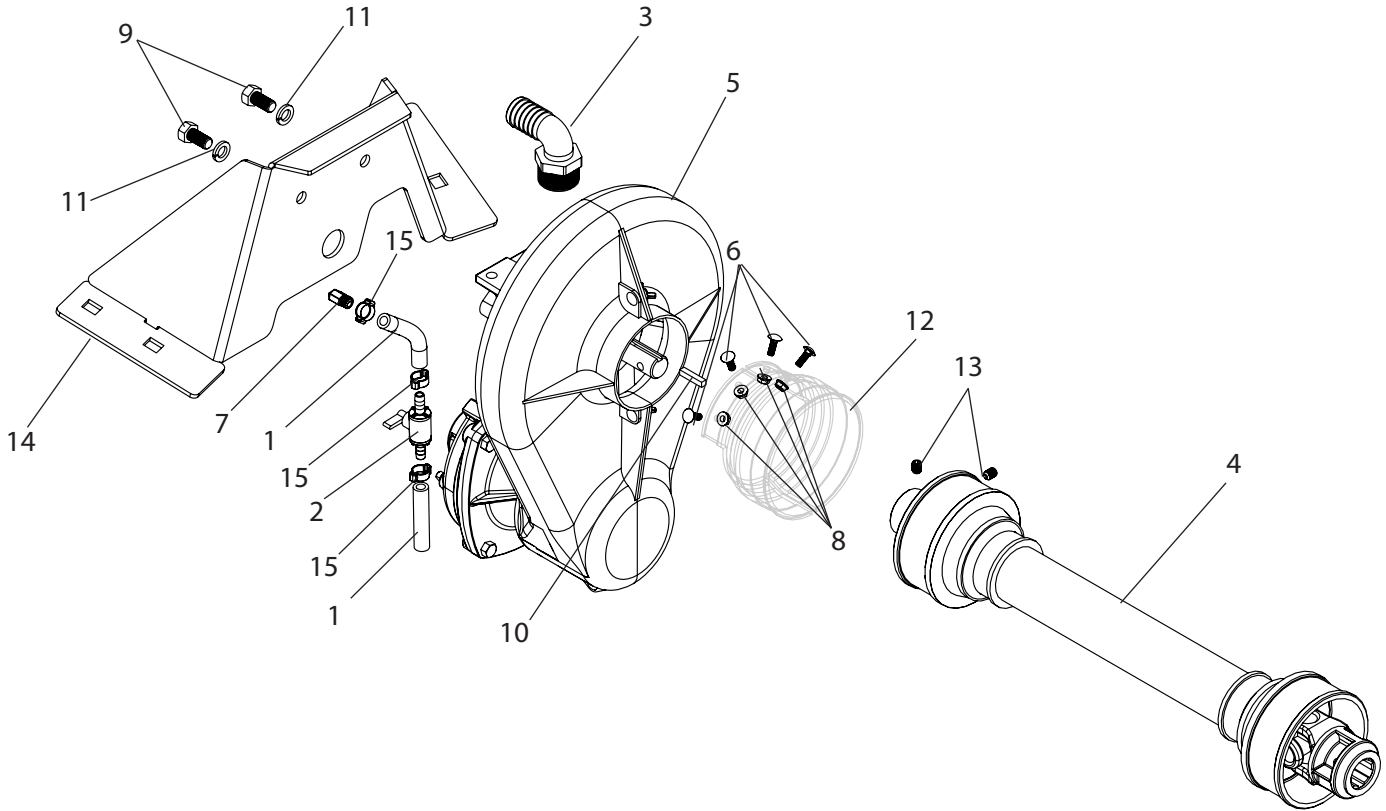


P510-9403C540S Breakdown

9403C-B Hydro Belt Drive Centrifugal (TR525-TR1005)

500 gallon - 750 gallon configuration shown



Ref#	Qty.	Part Number	Description
1	1.25 FT	1006	Hose, EPDM Rubber 3/8" 300 PSI
2	1	9432	Valve, Ball 3/8" Hose Barbs
3	1	3EL114	Elbow, Hose 90° 1-1/4" MPT x 1-1/4" Barb
4	1	7101051UC007602	Driveline, PTO BP #1 * 1-3/8" 6 Spline x 1" RB
5	1	9403C540S-B**	Silicon Carbide Pump, Centrifugal Belt-Driven 1" Shaft 1-1/2" FPT Inlet 1-1/4" FPT Outlet
6	4	CB14*34	Bolt, Carriage 1/4-20 x 3/4" Gr 2
7	1	EL1838BR	Adapter, Hose Ell 1/8" MPT x 3/8" HB Brass
8	4	FN14	Nut, Flange 1/4-20
9	2	H5C12*1	Bolt, Hex 1/2-13 x 1" Gr 5
10	1	KEY14	Key, Machine 1/4" x 1-1/4" Sq Ends
11	2	LW12	Washer, Lock 1/2"
12	1	PCX0244	Coupling, Flex 5" x 4"
13	2	SSC38*12	Screw, Allen Set 3/8-16 x 1/2"
14	1	T448*	9403C540S Pump Mount
15	3	W1518	Clamp, Oetiker 5/8"

*Part # T446 if being used on a 1000 gallon sprayer.

**Additional breakdowns available.