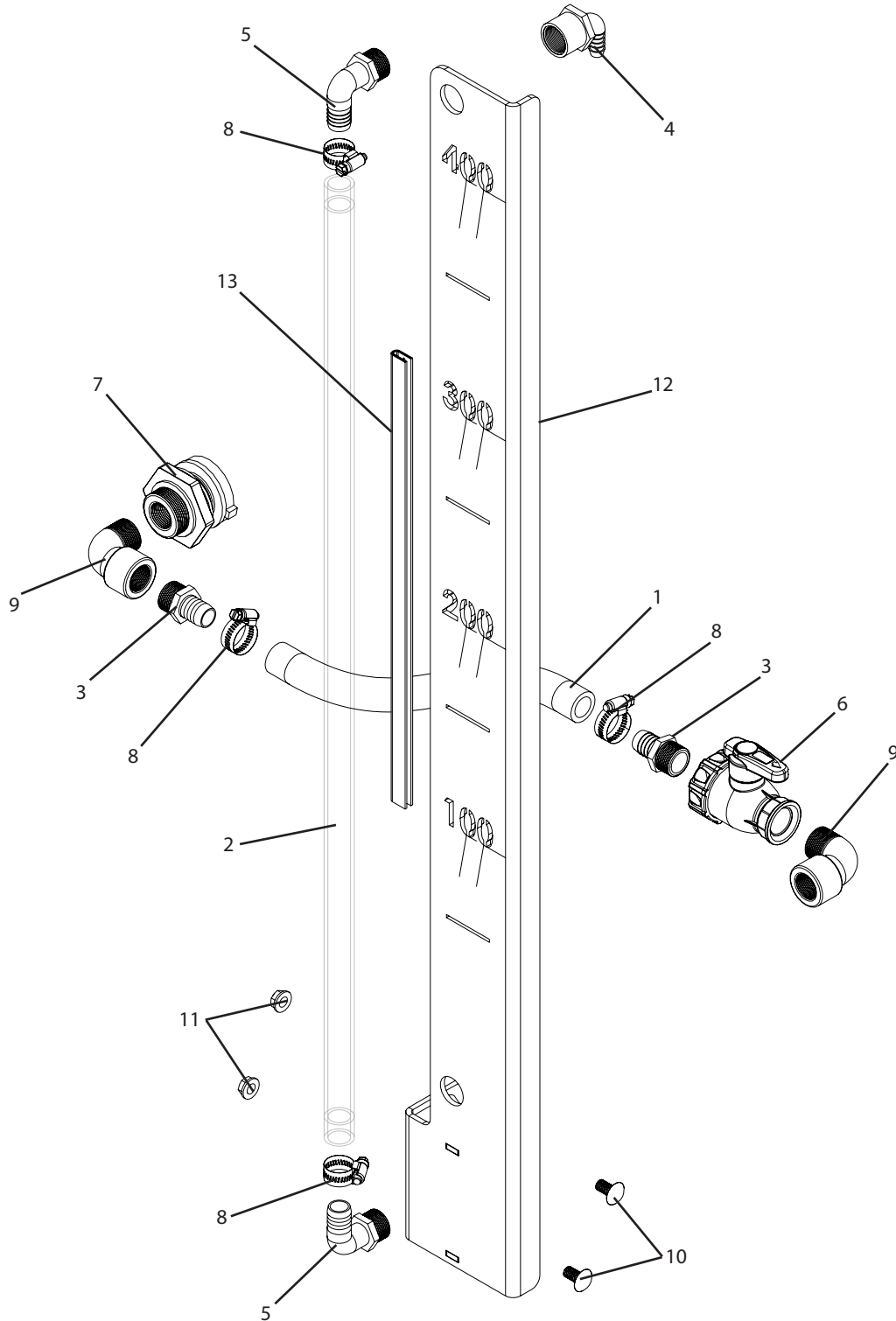


ST103, ST104, ST105 Breakdown

Sight tube, 200, 300, & 400 gallon trailer



ST103, ST104, ST105 Breakdown

Sight tube, 200, 300, & 400 gallon trailer

Ref#	Qty.	Part Number	Description
1	1 FT	1012	Hose, EPDM Rubber 3/4" 300 PSI
2	3.25 FT	3003 *	Hose, Suction 3/4" Clear PVC 100 PSI
3	2	3A3434	Fitting, Hose 3/4" MPT x 3/4" HB
4	1	3EL3412F	Adapter, Hose 90° 3/4" FPT x 1/2" HB
5	2	3EL3434	Adapter, Hose 90° 3/4" MPT x 3/4" HB
6	1	075SUBV	Valve, Ball Union 3/4" FPT
7	1	62798	Fitting, Tank 3/4" FPT Dbl Tap (Requires 1-5/8" Hole)
8	4	6812052	Hose Clamp, 1/2" - 1-1/4" SS
9	2	8SE34	Elbow, Street 90° 3/4" NPT Sch 80 Poly
10	2	CB38*34G5	Bolt, Carriage 3/8-16 x 3/4" Gr 5
11	2	FN38	Nut, Flange 3/8-16
12	1	T432 **	Sight Tube, 400 Gallon
13	1.5 FT	8451A53 ***	Trim, Push-on Rubber w/Steel Core 5/64" - 13/64"

* Shown for a 400 gallon trailer. When on a 300 gallon trailer the length is 3.05ft. When on a 200 gallon trailer the length is 2.5ft.

** Shown for a 400 gallon trailer. Use T433 on a 300 gallon trailer, and T434 on a 200 gallon trailer.

*** Only used on 400 gallon trailers.