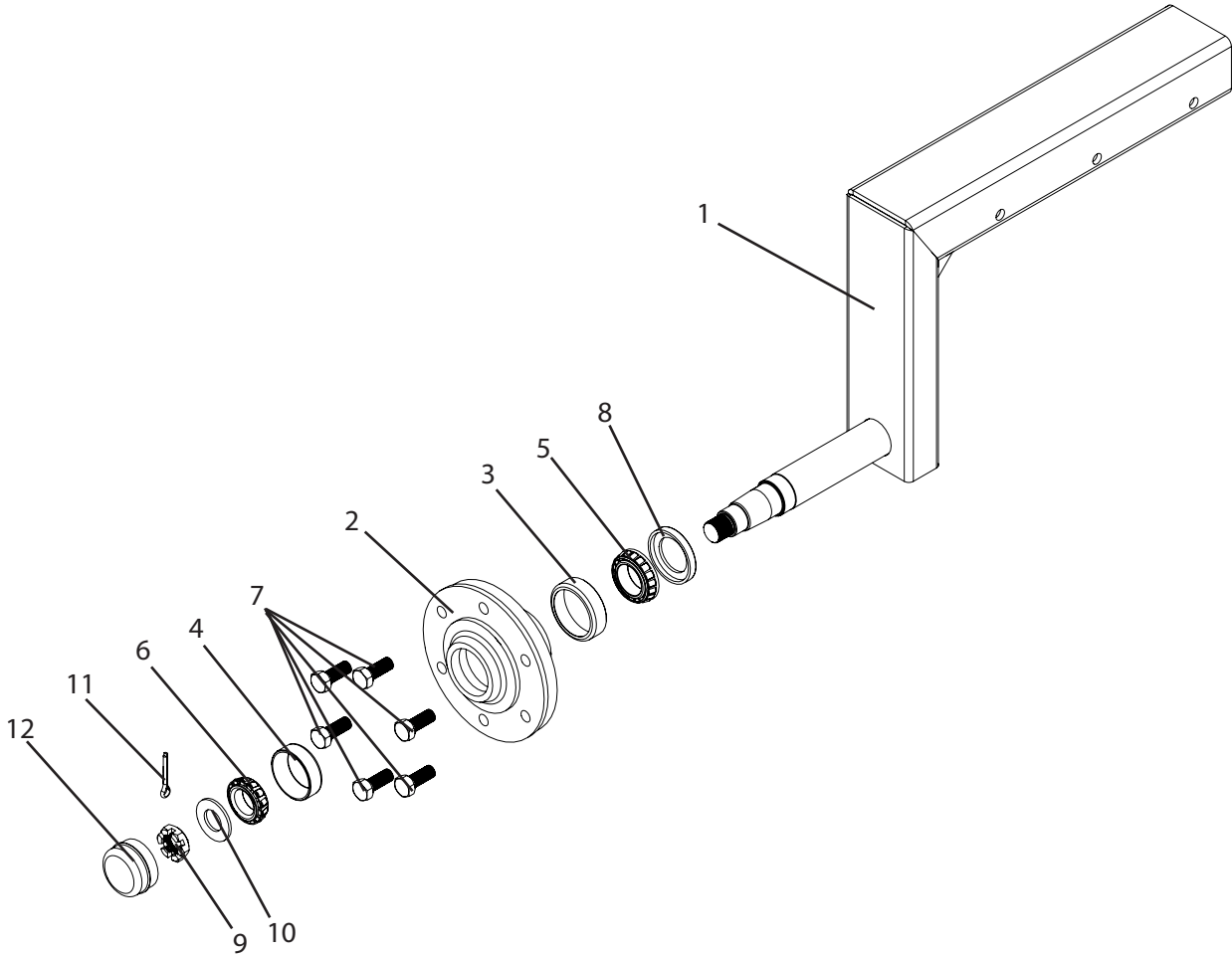


T473 Breakdown

11L Axle Weldment



* Replaced with part # 6W206 when used with a speed sensor.

Ref#	Qty.	Part Number	Description
1	1	---	11L Axle Weldment
2	1	HO4000	Hub cupped only (no bearings) 4000#
3	1	LM29710	Bearing Cup 2.562" OD
4	1	LM67010	Bearing Cup 2.328" OD
5	1	LM29749	Tapered Bearing 1.50" ID
6	1	LM67049	Tapered Bearing 1.25" ID
7	6	SP4001 *	Wheel bolt 4,000 lb capacity 9/16-18 x 1 1/4"
8	1	S4000	Seal 1.75" ID x 2.561" OD x .25" W
9	1	SP4003	Castle Nut 1"-14 Fine
10	1	SP4004	Sae Washer 1"
11	1	CT316x2	Cotter pin 3/16" x 2"
12	1	D4000	dust cap for 4000 lb hub 2.333" OD