

CROPCARE

Equipment Built For You

SHIELDED BOOM SPRAYER

Model 3PT55S

Owner's Manual



PaulB LLC | 50 Woodcorner Rd. | Lititz PA 17543
www.CropCareEquipment.com | (717) 738-7350
A Paul B Zimmerman Inc. Company

PaulB LLC thanks you for choosing to purchase one of our sprayer models. We appreciate your business and want to personally fill all of your sprayer needs. We also desire to provide you with the technical support and needed parts that will allow you to continue spraying without disruption. See the Contact Us section on page 19.

Table of Contents

Before You Begin.....	1
Safety Precautions	2
General Guidelines.....	2
Before Operation.....	2
During Operation.....	3
Following Operation.....	3
Pump Safety Precautions.....	3
Mounting the Pump.....	4
Calibrating the Sprayer	4
Calibration Chart.....	7
Operating Instructions.....	7
Maintenance Instructions	8
Routine Maintenance.....	8
Pump Maintenance.....	9
Winterizing Your Sprayer.....	9
Tank Mount Breakdown	11
Boom Assembly Breakdown	14
Pump Breakdown.....	15
Manual Control Valve Breakdown.....	16
Strainer Breakdown.....	16
Relief Valve Breakdown.....	17
PTO Coupler Breakdown.....	17
Contact Us.....	18

Before You Begin

- ◆ Please read and understand this manual and its instructions and warnings completely before operating the sprayer.
- ◆ Be aware of all safety guidelines, warnings, and cautions including those of the tractor manufacturer.
- ◆ Read and understand the chemical manufacturer's labels, warnings, and instructions.
- ◆ Know and fulfill all state pesticide applicator license requirements.
- ◆ Familiarize yourself and other operators with the sprayer's components and how all parts are operated.

! Safety Precautions !

General Guidelines

Every year many unnecessary accidents occur due to improper equipment handling and a disregard for safety precautions. You, the operator, can avoid accidents by observing the precautions in this section.

- ◆ The operator should be a responsible adult. **Do not allow persons to operate this sprayer until they have displayed a thorough understanding of sprayer safety precautions and operational use!**
- ◆ **All operators must also fulfill state pesticide applicator license requirements!**
- ◆ Never attempt to operate this sprayer when under the influence of alcohol or drugs.
- ◆ The best defense against accidents is a careful and responsible operator.
- ◆ A chemical warning decal and an owner's manual warning decal are located on the sprayer's tank. Be aware of their location. See Figure 1 and Figure 2. Always replace any warning decals that are not legible or are missing.
- ◆ When transporting the sprayer on public roads, always follow state and local regulations regarding safety and transportation requirements. Use the necessary lights and slow moving vehicle (SMV) emblems.
- ◆ If there is any portion of this manual that you do not fully understand, please contact PaulB LLC.



Before Operation

- ◆ Carefully study and understand this owner's manual.
- ◆ **Read and follow chemical manufacturer's labels, warnings, and instructions!**
A material safety data sheet (MSDS) should be provided by the chemical manufacturer.
- ◆ To avoid injury from chemical hazards, **wear the proper protective clothing. Each chemical manufacturer's clothing requirements are listed under the "Personal Protective Equipment (PPE) section in the chemical instructions.**
- ◆ Do not wear loose-fitting clothing which may catch in moving parts. Never exceed your tractor's load rating.
- ◆ **Give the sprayer a visual inspection** for any worn parts, loose bolts, or other visible problems, and make the necessary repairs. See the maintenance section(page. 8).

- ◆ Make sure the area is clear of any people or obstructions before using the sprayer.
- ◆ Have all operators practice operating the sprayer and its attachments until all persons are completely capable of safe operation.

During Operation

- ◆ **Always be aware of bystanders, particularly children!** Always look before moving the sprayer or engaging the PTO.
- ◆ **No passengers** are allowed on or in the tractor or sprayer at anytime.
- ◆ Keep hands and body parts clear of all moving parts, especially the tractor PTO.
- ◆ Be aware of dangerous terrain such as holes, slopes, drop-offs, banks, rocks, and hidden hazards. Operate the tractor and sprayer up and down slopes, not across.
- ◆ When operating on inclines, it is especially important that your tractor is equipped with Roll Over Protection System (ROPS).
- ◆ When transporting the sprayer, lift the sprayer high enough that the shields don't catch the ground.
- ◆ Allow for sprayer boom length when making turns.
- ◆ Never leave running equipment unattended!
- ◆ Remember that accidents can even happen to seasoned operators. Always take your time and follow all safety instructions.

Following Operation

- ◆ Following operation, stop the tractor unit, set the brakes, disengage PTO shaft, shut off the engine, and remove the ignition key.
- ◆ Park the sprayer on a hard level surface.
- ◆ Store the sprayer away from human and livestock activity.
- ◆ Do not permit children to play on or around sprayer.

Pump Safety Precautions

- ◆ Never pump flammable or explosive fluids such as gasoline, fuel oil, kerosene, etc.
- ◆ Never pump acids (i.e. acid fertilizer) with super rollers. For acid fertilizer Hypro recommends the Silver Series castings with Teflon rollers.
- ◆ **Never run the pump dry!** Never pump faster or above the maximum recommended speed and pressure (1200 RPM, 300 psi).
- ◆ Never pump liquids at temperatures higher than the recommended maximum temperature (140° F / 60° C) Do not exceed this temperature.
- ◆ **Before servicing your pump, disconnect the power, release all pressure, and drain all liquids.**

Mounting the Pump

It is important to correctly mount the pump to insure safe pumping operations. The preferred method for mounting the torque arm and the pump to the tractor is with a chain going up to provide support for the pump.

1. Mount the pump and torque arm to the PTO shaft using the correct PTO coupler (included with your pump). When connecting the PTO coupler to the PTO shaft make sure it clicks and is correctly connected.
2. Attach the torque chain to the tractor frame with the torque arm in a horizontal position. The chains should be attached to the tractor as close to vertical as possible to avoid a bending force on the pump.

Note: Some tractors do not have easy attachment points for attaching the torque chain. It may be necessary to drill holes in the tractor's master shield to attach the chains. It is also acceptable to mount an angle iron on the master shield to attach the chain.

Calibrating the Sprayer

Note: All calibration needs to be done with water!

When spraying with the boom, the sprayer must be calibrated to ensure proper spray coverage and to combat over-application or under-application. The calibration process is simplified when broken up into the following three steps:

1. Determine the speed of the tractor.
2. Calculate the necessary Gallon per minute(GPM) for one nozzle using the tractor speed, the recommended Gallon per Acre(GPA), and the row spacing.
3. Set the pressure accordingly using the relief valve.

1. Determining the Speed

It is important to determine what speed your tractor will be traveling at while spraying. While some tractors have speedometers, it is still recommended that speed is calculated for all tractors for accuracy purposes. To determine the speed follow the four following steps

1. Measure a 200 foot or 300 foot distance on a field or a surface similar to where you will be spraying.
2. Drive the tractor and sprayer (half-full is optimal) across the measured distance at a constant rate of speed. There can be no changes in speed while you are measuring the time. This should be a comfortable speed for spraying.
3. Have someone measure the amount of time(in seconds) it takes to travel the measured distance.
4. Your speed can be found by entering your data into the equation $\text{Speed(mph)} = (\text{Distance(ft)} \times 60) / (\text{Time(seconds)} \times 88)$ or by consulting the table to the left.

Speed in MPH	Time required(seconds) to travel a distance of:	
	200 feet	300 feet
1.0	136	205
1.5	91	136
2.0	68	102
2.5	55	82
3.0	45	68
3.5	39	58
4.0	34	51
4.5	30	45
5.0	27	41
5.5	25	37
6.0	23	34
6.5	21	31
7.0	19	29

Note: It is helpful for future references to record the exact RPM and gear used to find your speed.

2. Calculating the GPM and Using Calibration Chart

You now need to calculate the GPM using the formula to the right. You have already found the speed of the tractor(mph) and the recommended GPA is found in the chemical's instructions. In order to find W, you need to adjust your shields and nozzles. Place the inner shield against the plastic and the outer shield approximately half-way across the intended spray area. The distance between the shields divided by two will be W. **See figure 1.** Calculate the GPM using the formula and using the calibration chart (page 6) determine which nozzle and what pressure to use.

$$\text{GPM} = \frac{\text{GPA} \times \text{MPH} \times \text{W}}{5,940 \text{ (constant)}}$$

GPA: As per recommended by Chemical manufacturer.

MPH: Speed of the tractor

W: Row spacing(inches) divided by the number of nozzles per row

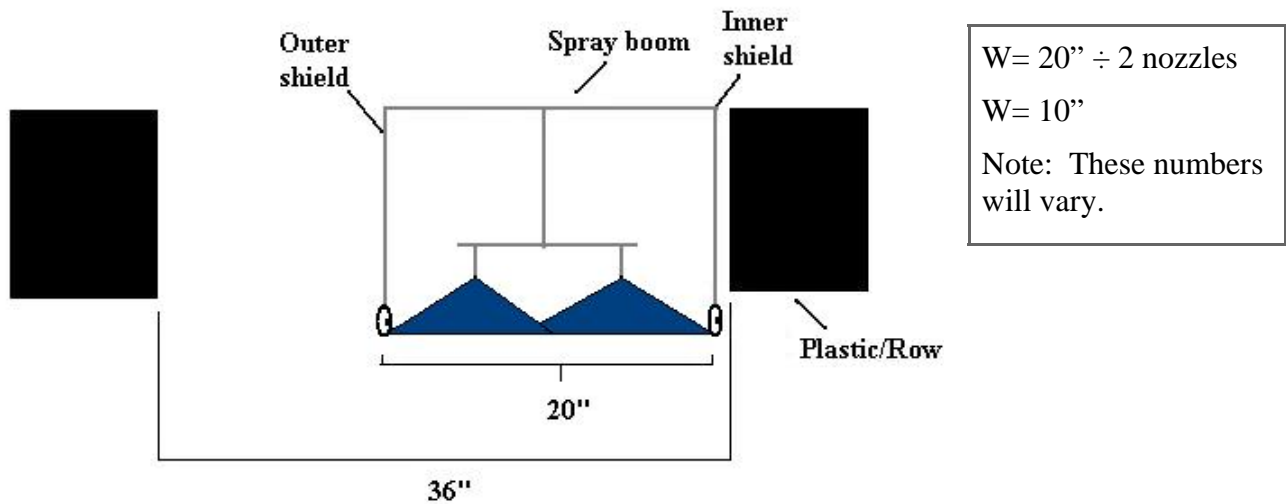
GPM: gallon per minute for one nozzle.

Calibration Chart

Tip Size	PSI	GPM of one nozzle	Tip Size	PSI	GPM of one nozzle
AI110015	30	.13	AI11003	30	.26
	40	.15		40	.30
	50	.17		50	.34
	60	.18		60	.37
	70	.20		70	.40
AI11002	80	.21	AI11004	80	.42
	30	.17		30	.35
	40	.20		40	.40
	50	.22		50	.45
AI110025	60	.24	60	.49	
	70	.26	70	.53	
	80	.28	80	.57	
	30	.22	Please Note: Flow rates are calculated using fresh water. Always remember to double check application rates.		
	40	.25			
50	.28				
60	.31				
70	.33				
80	.35				

Example: Assume your tractor's speed is 4 mph, the recommended GPA is 20 GPA, and you calculated W to be 10". Using the formula, you would find the necessary GPM to be approximately .13. Using the calibration chart (above), you would find that you need to use the AI11015 nozzle and set your pressure at 30 psi.

Figure 1



3. Adjusting the Pressure on Your Sprayer

Note: All calibration needs to be done with fresh water!

You have found the correct pressure setting, but must now adjust the sprayer to that pressure setting. Before you adjust the sprayer's pressure, it is important to set the tractor's RPM at the rate that was used to find the tractor's speed. The relief valve controls the sprayer's pressure and is located directly beside the pressure gauge. When you go to spray, turn the relief valve until you achieve the necessary pressure. When you open the control valves, the pressure may need to be readjusted. You have successfully calibrated the sprayer!

Note: Due to normal wear, Teejet recommends that you replace your sprayer nozzles after every spraying season. Nozzle replacement will ensure accurate spraying performance.

Operating Instructions

The shielded sprayer is designed to spray in between rows of crops that are sensitive to chemicals. It is very critical that you follow these operating instructions to ensure no crop chemical damage. Before operating the sprayer, it is also important that you read this entire manual and know all safety precautions. Always take your time and be alert when operating your sprayer. This will allow you to safely spray without accident or interruption.

1. Calibrate the sprayer using the preceding calibration instructions and chart. This will determine what pressure to spray at in order to achieve the necessary Gallon per Minute(GPM) per nozzle.
2. Connect the pump's PTO coupler to the PTO shaft (see page 4 for mounting the pump).
3. Fill the tank with some water in order to set the pressure and test for leaks.
4. Prepare the sprayer for spraying by opening the ball valve on the inlet line from the tank. Start the tractor and engage the pump. The tractor should be running at the RPM rate determined when you calibrated your sprayer. Ensure that the pump is primed and that there are no leaks in any of the lines.
5. Using the relief valve, adjust the sprayer's pressure to the pressure rating found when you calibrated the sprayer. When you open the control valves you may need to readjust the pressure. There is a control valve for both the left and the right zone. This allows operation of one zone at a time.

6. You may now fill the tank with the amount of water and chemicals recommended by the chemical being used. Before filling the tank make sure the tractor's PTO is disengaged. After filling the tank, engage the pump and allow for ample amount of time for the jet agitator to mix the water and chemicals. **Note: See chemical instructions for necessary agitation time.** You are now ready to begin spraying.
7. Upon arriving at the spraying location, **you will need to adjust your spray shields to the correct position.** Adjust the inner shield so that it borders the row you are straddling with your tractor. The outer shield should be placed about half the distance across the area you are spraying. It is recommended to keep the nozzles 10” to 15” off the ground. Allow for some overlap, but the spray shouldn't hit the spray shields excessively. The spray nozzles can be adjusted accordingly.
8. In order to start spraying, check the ball valve position, engage the pump, adjust the pressure, and open the control valves. While spraying always remember to maintain a constant level of speed, RPM, and pressure (rates found when calibrated). Failure to maintain constant rates will result in inaccurate application rates.

Maintenance Instructions

Routine Maintenance

It is very important to perform routine maintenance on your sprayer before and after each use. Good maintenance practices will help to guard against any sprayer breakdowns or accidents.

1. It is recommended to perform a visual and physical inspection for any worn parts, loose bolts, or other visible problems. Make all necessary repairs before spraying. See the Contact Us section (page 19) for instructions on ordering parts and getting technical help.
2. **After each use it is important to rinse the sprayer** and all components by running fresh water through the system. Rinsing the sprayer with fresh water will greatly improve the life of the pump and other components.
3. The in-line filter on the inlet supply line should be taken out and rinsed. **Note:** Be careful not to lose the gasket in the filter bowl. A missing gasket will cause the strainer to leak.
4. Tip strainers should also be taken out and rinsed after every use. Tip strainers are small screens that are located behind each spray nozzle on the boom.

Pump Maintenance

1. Follow all pump safety precautions and warnings (page 3). Following these guidelines will help to ensure many years of smooth and trouble-free pumping.
2. **Always flush the pump out with fresh water after every use.** It is also very important to winterize your pump to prevent freezing and corrosion. See below for winterizing instructions.

Note: If you have the 6500C (cast iron pump), it is recommended that you take the pump off and fill it with oil. This will guard against rust and corrosion. Do not under any circumstances run oil through the sprayer. This will cause hoses to swell up.

3. After many years of use you may find that your pump is leaking or has experienced a decrease in performance. You may need to change the seals and rollers. Contact PaulB LLC for parts and technical support.

Winterizing your Sprayer

To avoid damage from freezing and corrosion, it is important to winterize your sprayer before temperatures grow too cold.

1. Verify that the tank is empty and rinsed out. Dump 1-2 gallons of RV nontoxic antifreeze into the tank. **It is not recommended to use standard Antifreeze. Standard antifreeze can be harmful to humans, animals, crops, and the environment.**
2. Engage the pump and spray with the boom. Make sure that the antifreeze has been pumped through the entire system including all spray nozzles.
3. Store the sprayer in a dry location away from the elements.
4. Before spraying in the spring it is recommended to flush the sprayer with fresh water to cleanse it of the antifreeze and any other buildup. It would also be beneficial to do a thorough inspection of all sprayer components before spraying.

PaulB LLC Limited Warranty Shielded Boom Sprayer: Model 3PT55S

Warranty Coverage

PaulB LLC hereby provides a **Limited One (1) Year Warranty** on the Shielded Boom sprayer, model 3PT55S, manufactured by PaulB LLC. from the date of original purchase. Shielded boom sprayers built by PaulB LLC are warranted against any manufacturer's defects that may occur to any of the sprayer's components in the 12 months following the original date of purchase. This warranty covers the purchaser of this sprayer and any other owners who own it during the one year warranty period. To retain the warranty, the sprayer must be operated and maintained as ascribed by its owner's manual.

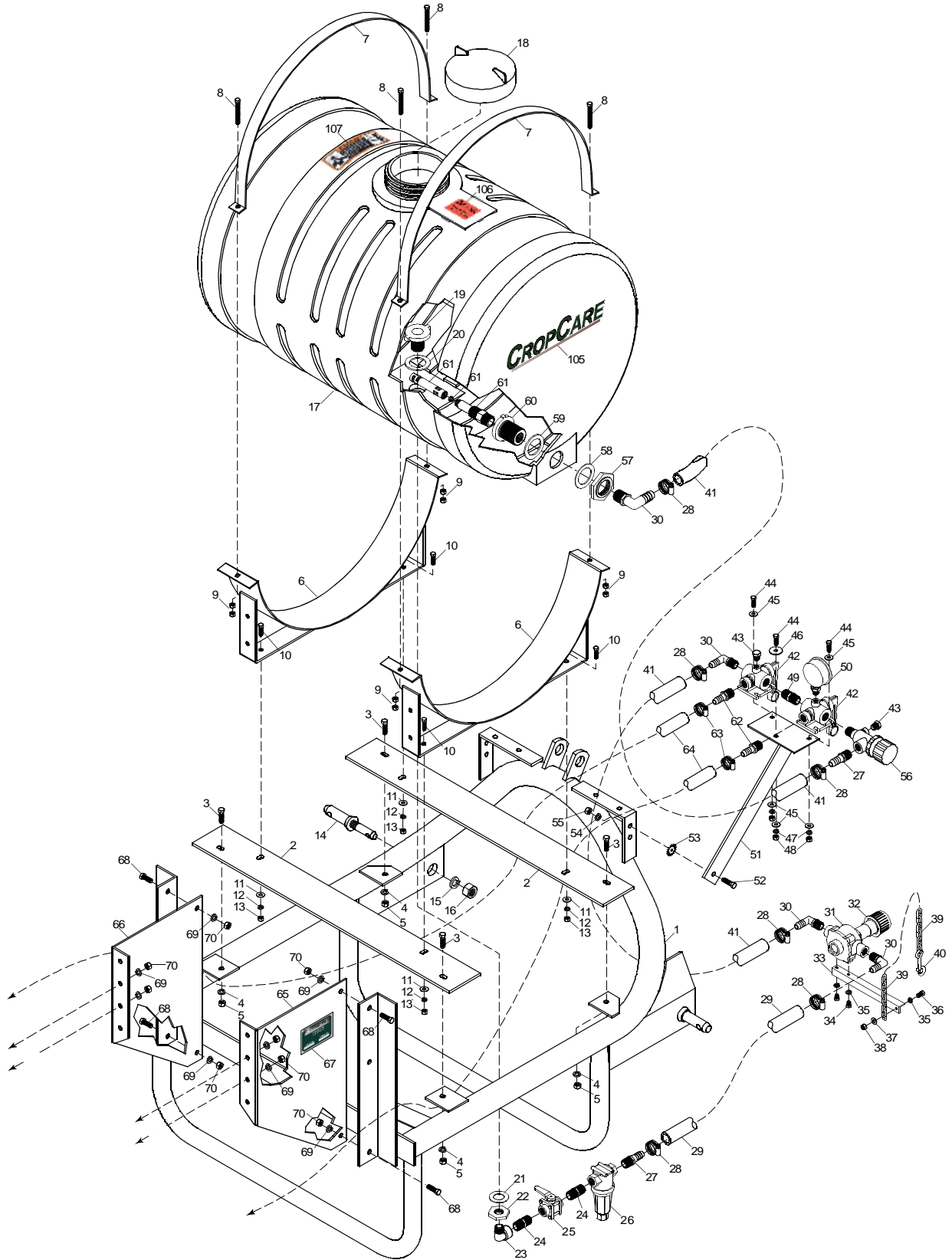
Warranty is void if:

1. The sprayer has been subjected to, in the opinion of PaulB LLC, negligent handling, misuse, an accident or if the instructions in the owner's manual were not completely followed.
2. The sprayer's components have been altered in any manner or repairs have taken place with unapproved parts.
3. The sprayer and its components were subject to freezing or freezing conditions. The sprayer must have been winterized as per the maintenance instructions to retain the warranty.
4. A non-compatible chemical was used and/or if the sprayer operator failed to rinse all chemical residue out of the sprayer's components after use.
5. A petroleum-based, oil-based, or flammable product was used and caused damage to the pump, tank, hoses, or any other component.

Getting Service

All sprayer warranty claims must be made through PaulB LLC. All warranty claims must be submitted with an invoice or a proof of purchase that denotes the purchase date and place. If you have any questions or comments concerning this warranty, please contact PaulB LLC.

Tank Mount Breakdown



Parts List

Tank Assembly & Hardware

<i>Ref #</i>	<i>Qty.</i>	<i>Part Number</i>	<i>Description</i>
1	1	3PTFRAME150	3pt sprayer frame (no hardware)
2	2	T535	Adapter plate
3	4	H5C38*1	Coarse bolt, 3/8" x 1", grade 5
4	4	LW38	Lock washer, 3/8"
5	4	NC38	Coarse nut, 3/8"
6	1 pr	TS23	Complete saddle bracket (includes ref# 7, 8, 9)
7	2	SS23*	Tank strap, 1 1/4"W x 36 1/2" L
8	4	HTB516*4S*	Stainless hex tap bolt, 5/16" x 4"
9	8	NC516S*	Stainless coarse nut, 5/16"
10	4	H5C516*1	Coarse bolt, 5/16" x 1", grade 5
11	4	FW516	Flat washer, 5/16"
12	4	LW516	Lock washer, 5/16"
13	4	NC516	Coarse nut, 5/16"
14	2	00213	Lift arm pin, category 1-2 (includes ref# 15, 16)
15	2	LW118	Lock washer, 1 1/8"
16	2	NC118	Coarse nut, 1 1/8"
17	1	47337	Poly tank, 55 gallon, 23" diameter (includes ref# 18)
18	1	62476*	Tank lid, 5" round
19	1	60401	Tank fitting, 3/4", double tap (includes ref# 20, 21, 22)
20	1	60402*	EPDM rubber gasket, 3/4"
21	1	N/A*	Poly gasket, 3/4" (outside of tank)
22	1	N/A*	Poly nut, 3/4"
23	1	8SE34	Poly street elbow, 3/4", sch. 80
24	2	8M34	Poly nipple, 3/4" x short, sch. 80
25	1	075FP	Poly full port ball valve, 3/4"
26	1	AA126ML-3-50**	Poly strainer, 3/4" FNPT, 50 mesh
27	2	3A3434	Poly adapter, 3/4" MNPT x 3/4" barb
28	6	6812	Stainless hose clamp, 1/2"-1 1/4"
29	3'	3003	Clear PVC suction hose, 3/4"
30	4	3EL3434	Poly hose elbow, 3/4" MNPT x 3/4" barb
31	1	6500C**	Hypro cast iron pump, 6 roller
31	1	6500N**	Hypro nitrogen-resistant pump, 6 roller
31	1	6500XL**	Hypro "silver series" pump, 6 roller
32	1	13230074**	PTO quick connect adapter, 540 RPM, 5/8" shaft
33	1	PUMPTA	Torque arm for mounting pump, 12" x 1" x 1"
34	2	H5C516*34	Coarse bolt, 5/16" x 3/4", grade 5

* Individual part is included in a complete assembly.

** Pump, strainer, PTO coupler parts breakdowns are listed on pages 16, 17, and 18 respectively.

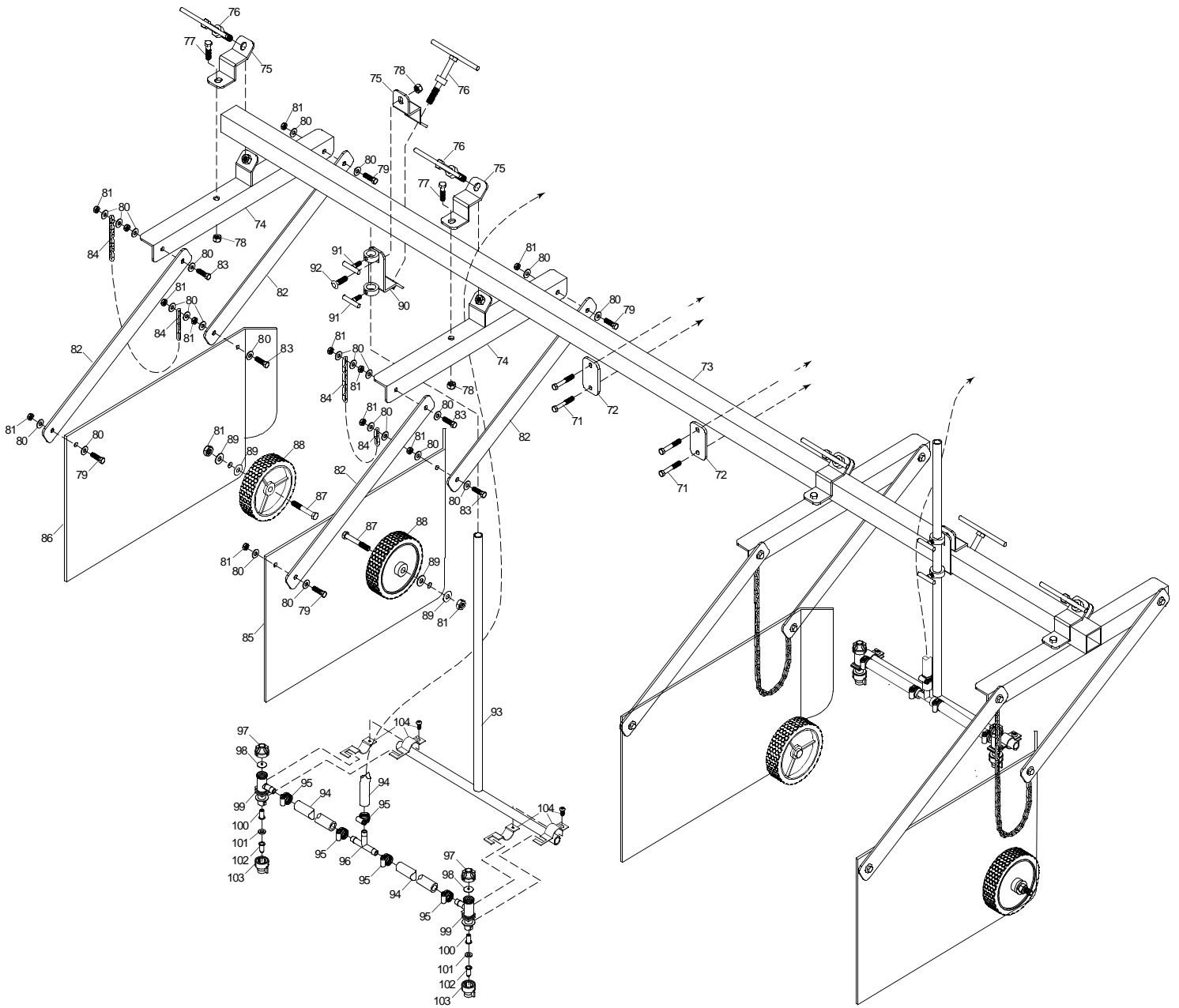
Tank Assembly & Hardware (cont.)

<i>Ref #</i>	<i>Qty.</i>	<i>Part Number</i>	<i>Description</i>
35	3	LW516	Lock washer, 5/16"
36	1	H5C516*1	Coarse bolt, 5/16" x 1", grade 5
37	1	FW516	Flat washer, 5/16"
38	1	NC516	Course nut, 5/16"
39	2'	0140323	Zinc plated chain, 3/16", system 3
40	1	7601431	Zinc plated snap, open eye bolt
41	N/A	1012	EPDM rubber hose, 3/4"
42	2	AA6B**	Manual control valve
43	2	3F14	Poly pipe plug, 1/4" MNPT
44	3	H5C14*1	Coarse bolt, 1/4" x 1", grade 5
45	5	FW14	Flat washer, 1/4"
46	1	FDW14*1	Fender washer, 1/4" x 1"
47	3	LW14	Lock washer, 1/4"
48	3	NC14	Coarse nut, 1/4"
49	1	8M34	Poly nipple, 3/4" x short, sch. 80
50	1	GG100	Stainless gauge, liquid filled, 2 1/2", 100 psi
51	1	T503S-2	Control post
52	1	H5C38*114	Coarse bolt, 3/8" x 1 1/4", grade 5
53	1	EW58	External lock washer, 5/8"
54	1	LW38	Lock washer, 3/8"
55	1	NC38	Coarse nut, 3/8"
56	1	2312034PP**	Poly relief valve, 3/4", 100 psi
57	1	N/A*	Poly nut, 3/4"
58	1	N/A*	Poly gasket, 3/4" (outside of tank)
59	1	62799*	EPDM rubber gasket, 3/4"
60	1	62798	Poly tank fitting, 3/4", HD, double tap, (includes 57, 58, 59)
61	1	33710019	Jet agitator (breakdown shown for cleaning purposes)
62	2	3A1212	Poly hose adapter, 1/2" MNPT x 1/2" barb
63	2	6806	Stainless hose clamp, 7/16" - 7/8"
64	N/A	1008	EPDM rubber hose, 1/2"
65	1	BF10S14	Tool bar mount, right
66	1	BF10S15	Tool bar mount, left
67	1	SP500	Stainless serial number plate
68	4	H5C38*1	Coarse bolt, 3/8" x 1", grade 5
69	8	LW38	Lock washer, 3/8"
70	8	NC38	Coarse nut, 3/8"

* Individual part is included in a complete assembly.

** Manual control valve and relief valve parts breakdowns are listed on page 17 and 18 respectively.

Boom Assembly Breakdown



Boom Assembly

<i>Ref #</i>	<i>Qty.</i>	<i>Part Number</i>	<i>Description</i>
71	4	H5C38*3	Coarse bolt, 3/8" x 3", grade 5
72	2	BF10S16	Boom mounting clip
73	1	BF10S17	Tool bar, 115" x 2"x 2"
74	4	BF10S18	Shield frame
75	6	BF10S19	Spray bar clip
76	6	BF10S20	T-bolt, 1/2"
77	4	H5C12*112	Coarse bolt, 1/2" x 1 1/2", grade 5
78	6	NNC12	Nylon lock nut, 1/2"
79	8	H5C38*1	Coarse bolt, 3/8" x 1", grade 5
80	48	FW38	Flat washer, 3/8"
81	28	JNNC38	Nylon jam lock nut, 3/8
82	8	BF10S21	Flat bar link
83	8	H5C38*112	Coarse bolt, 3/8" x 1 1/2", grade 5
84	27.5" ea	SSC18	Stainless chain, 1/8" (27.5" each shield)
85	2	BF10S12	Lexan shield, right
86	2	BF10S11	Lexan shield, left
87	4	AB112	Axle bolt, 1/2" x 1 1/2"
88	4	MW61515	Plastic wheel, 6" x 1 1/2" x 1/2"
89	8	FDW38*112	Fender washer, 3/8" x 1 1/2"
90	2	BF10S22	Spray bar clamp
91	4	BF10S23	T-bolt, 5/16"
92	2	SBF12*2	Flat stove bolt, 1/2" x 2"
93	2	BF10S24	Spray bar
94	N/A	1008	EPDM rubber hose, 1/2"
95	10	6806	Stainless hose clamp, 7/16"- 7/8"
96	2	T12	Poly hose barb tee, 1/2"
97	4	2195010NYB*	Chemsaver end cap assembly
98	4	CP21953EPR*	EPDM rubber diaphragm
99	4	22251311500NYB	Nozzle body elbow, 1/2" (includes ref # 97, 98)
100	4	8079PP50	Stainless nozzle screen, 50 mesh, red
101	4	255981NYR**	QJ nozzle cap, black
102	4	AI11002VS**	Air induction spray tip, yellow
103	4	QJ11112	Round nozzle clamp, 1/2"
104	4	CP19438EPR	EPDM nozzle gasket

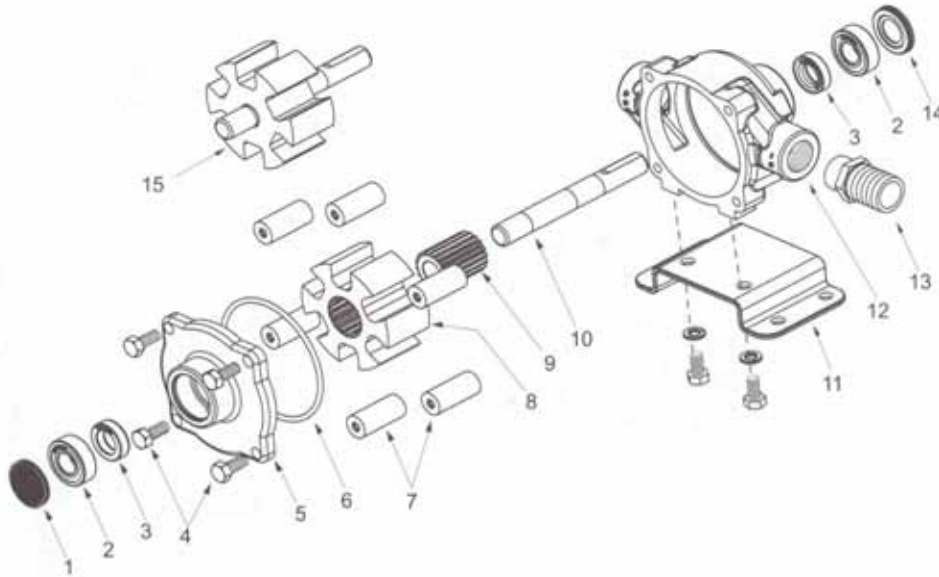
* Individual part is included in a complete assembly.

** Other color caps and other size spray nozzles are available. See the Contact Us section on page 19 for ordering information.

Decal List

<i>Ref #</i>	<i>Qty.</i>	<i>Part Number</i>	<i>Description</i>
105	2	DE46	CropCare™ logo decal
106	1	DE39	Owner's manual warning decal
107	1	DEMT3980	Chemical warning decal

Hypro 6500C, 6500N, 6500XL Pump Parts Breakdown



Ref. No	Qty. Req'd	Part Number	Description
1	1	2300-0021	Bearing cover
2	2	2000-0010	Sealed ball bearing
3	2	2107-0002	Viton seal (stand.)
3	2	2102-0001	Buna-N seal (opt.)
4	4	2210-0004	Bolts
5	1	0200-6600C	Cast iron end plate w/ seal
5	1	0200-6600N	NI-resist. end plate w/ seal
5	1	0200-6600X	SilverCast end plate w/ seal
6	1	1720-0008	O-ring gasket for end plate
7	6	1005-0004	Super roller (stand.)
7	6	1002-0004	Polypropylene roller(opt.)
7	6	1052-0004	Buna-N roller (opt.)
7	6	1055-0004	Teflon roller (opt.)

Ref. No	Qty. Req'd	Part Number	Description
8	1	0401-6500P	Phenolic rotor (stand.)
9	1	1201-0018	Metal insert
10	1	0500-6600	Shaft
11	1 kit	3420-0023	Base kit includes: 1 base, 2 bolts, 2 washers
12	1	0100-6600C	Cast iron body w/ seal
12	1	0100-6600N	NI-resist. body w/ seal
12	1	0100-6600X	SilverCast body w/ seal
13	1	2404-0052	1" hose barb
14	1	2300-0023	Shaft bearing cover
15	1	N/A	Metal rotor assy. replaced by kit 3430-0621 (phenolic rotor assy.)

Repair parts kits:

3430-0038 Consists of: 6 pc. reference #7 super rollers, 1 pc. reference #6 o-ring, and 2 pc. reference #3 viton seals.

3430-00175 Consists of: 6 pc. reference #7 polypropylene rollers, 1 pc. reference #6 o-ring, and 2 pc. reference # 3 viton seals.

3430-0621 Consists of: 1 pc. reference #8 phenolic rotor, 1 pc. reference #9 metal insert, and 1 pc. reference #10 shaft.



HYPRO[®]

Pentair Water

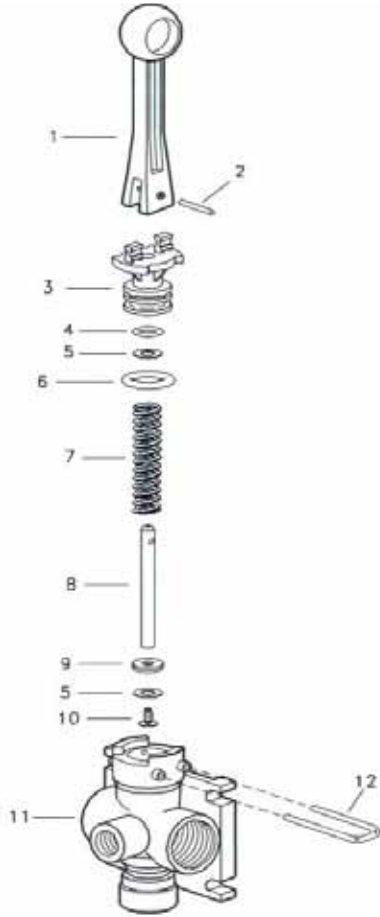
SPRAY GROUP

375 Fifth Avenue NW • New Brighton, MN 55112-3288
Phone: (651) 766-6300 • 800-424-9776 • Fax: 800-323-64

www.hypropumps.com

AA6B Manual Control Valve

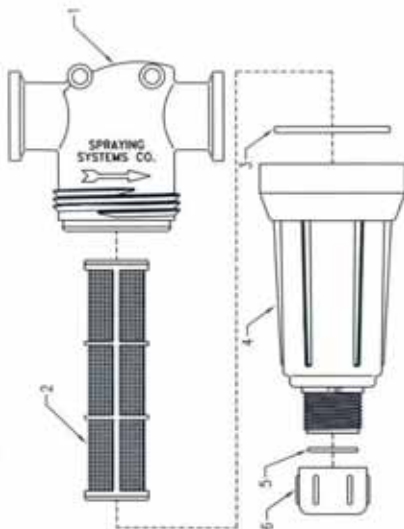
Parts breakdown



<i>Ref#</i>	<i>Qty.</i>	<i>Part Number</i>	<i>Description</i>
1	1	CP36301-NY	Nylon handle
2	1	CP36308-SS	Stainless groove pin
3	1	CP36302-PP	Polypropylene body insert
4	1	CP7717-2/108-VI*	Viton O-ring
5	2	CP36307-PPB	Polypropylene washer
6	1	CP7717-2/209-VI*	Viton O-ring
7	1	CP36306-302SS	Stainless spring
8	1	CP36304-SS	Stainless stem
9	1	CP38726-VI*	Viton shut-off washer
10	1	CP38725-SS	Stainless Phillips head screw
11	1	CP36303-PP	Polypropylene body
12	1	CP36309-302SS	Stainless retaining clip
*	1	PK-AB6B-KIT	Spare parts kit (includes ref# 4, 6,9)

AA126 Strainer

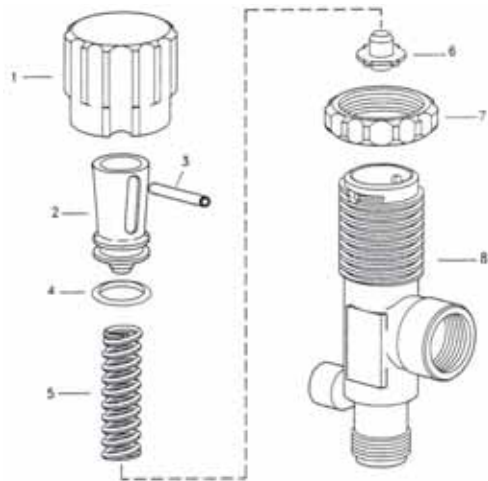
Parts Breakdown



<i>Ref #</i>	<i>Qty.</i>	<i>Part Number</i>	<i>Description</i>
1	1	CP50492-34-PP	Polypropylene strainer head, 3/4"
2	1	CP16903-4-SSPP*	Stainless screen, 50 mesh, red
3	1	CP50494-EPR	EPDM rubber gasket
4	1	CP50493-PP	Polypropylene bowl, 1" MNPT
5	1	CP63150-EPR	EPDM rubber gasket
6	1	CP48655-PP	Polypropylene cap

*Alternative screen mesh sizes are available.

23120 Relief Valve Parts Breakdown



<i>Ref #</i>	<i>Qty</i>	<i>Part Number</i>	<i>Description</i>
1	1	CP23122-NY	Nylon adjusting cap
2	1	CP23124-PP	Polypropylene spring retainer
3*	1	CP23126-302SS	Stainless retaining pin
4*	1	CP7717-15-EPR	EPDM rubber O-ring
5*	1	CP23127-302SS	Stainless spring
6	1	CP23125-PP	Polypropylene guide seat
7	1	CP23123-PP	Poly lock ring
8	1	CP23128-PP	Polypropylene body, 1/2" MNPT
*	1	PK-AB23120-KIT	Spare parts kit (includes ref # 3,4,5)

13230074 PTO Coupler Parts Breakdown



<i>Qty.</i>	<i>Part Number</i>	<i>Description</i>
1	1400-0024	Poly sleeve, quick coupler
1	1810-0037	Snap ring
1	1900-0160	Compression spring
3	3250-0030	Locking ball
1	34100038	Adapter kit
1	6031-0140	Warning decal

Contact Us

We desire to give you continuing service in the best manner possible. This includes listening to your comments, suggestions, and problems. We will do our best to answer all questions thoroughly and in a timely manner. We have trained sprayer technicians who are more than willing to listen to any questions or problems and help you to find a feasible solution.

Ordering Parts

We have a fully-stocked parts department that will be able to meet all of your parts needs. Our trained salespersons will ensure that all purchases are processed smoothly and shipped in a timely manner. Our hardware store also has a plumbing, electrical, automotive, paint, lawn & garden, and a power tool department. We are set up to ship our products via UPS and would be glad to work with you on the best shipping solution. If you desperately need a part, we are able ship UPS Next Day Air for many locations.

Note: When ordering parts, please provide our sales staff with the correct part number and description listed on the parts list. **To directly reach our parts department, please call (717) 738-7355 ext 2000.**

CROPCARE™

PaulB LLC

A Paul B Zimmerman Inc. Company

50 Woodcorner Road

Lititz PA 17543

Parts Dept (717) 738-7355 ext 2000

Corporate Office (717) 738-7350

Fax (717) 738-8061

www.CropCareEquipment.com

