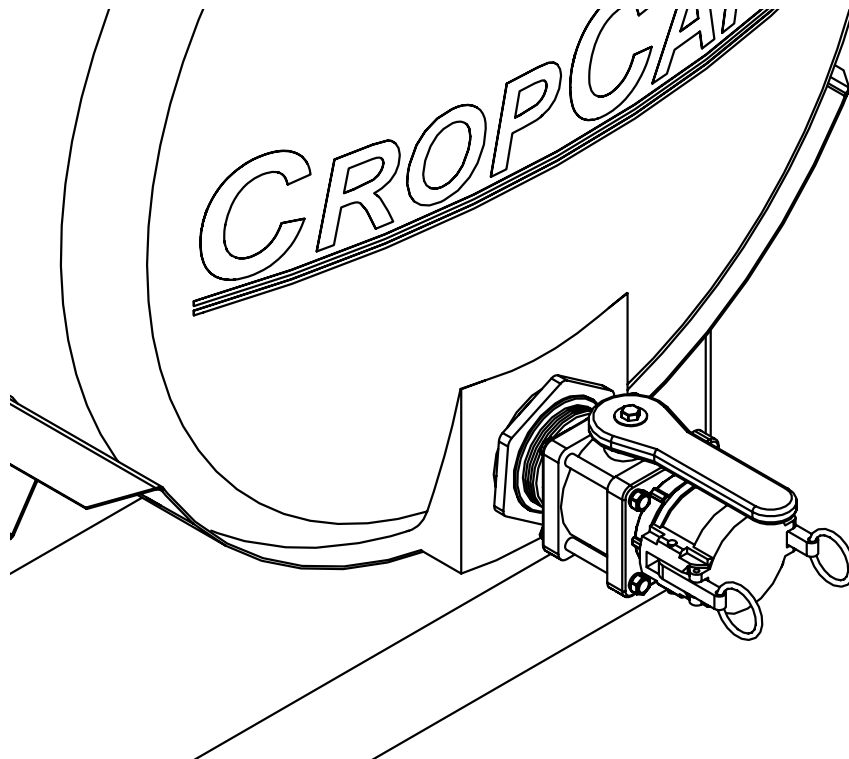




# Assembly Instruction Manual

Quick fill, 2" male coupler kit  
Model: A125K



**Manufactured by PBZ LLC**  
*A Paul B Zimmerman Inc. Company*  
**[www.CropCareEquipment.com](http://www.CropCareEquipment.com)**

Form: A125KAM\_REV-A

# A125K Assembly Instructions

## Subject

The purpose of this document is to show the procedure for installing the quick fill kit onto the tank of a 3PT sprayer (110-300 gallon capacity).

### Installation Time:

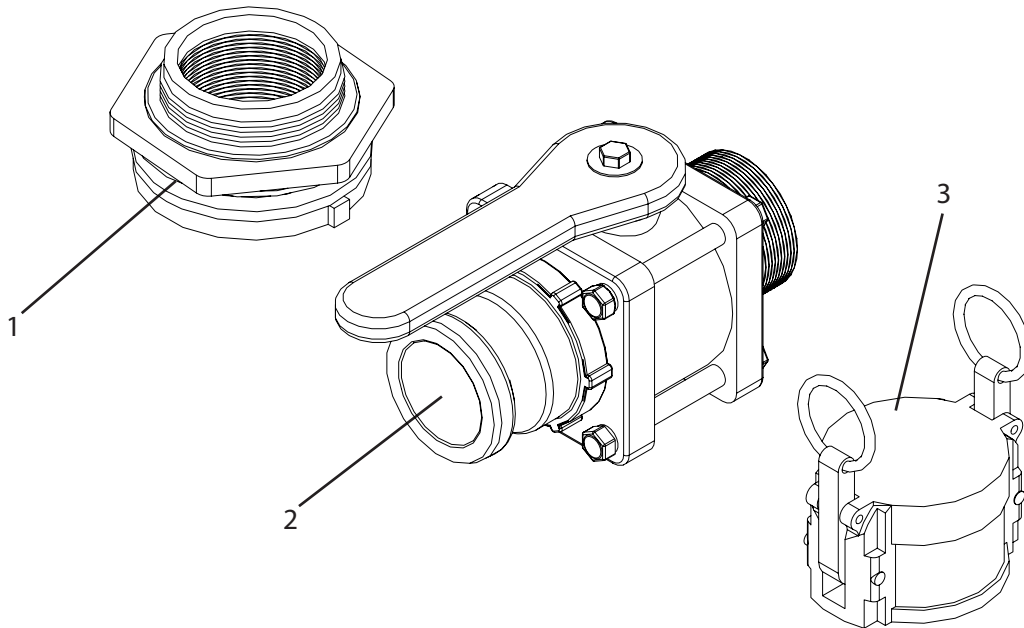
- Approximately 1 hour

### Recommended Tools

- Hole Saw (3")
- Hole Saw Arbor
- Battery or electric powered drill
- Pipe thread sealant
- Pipe thread tape
- Adjustable wrench or pliers

### Warning

When removing or installing fittings never climb inside the tank if the sprayer has had chemicals in it. Exposure to chemicals may cause serious injury or death.



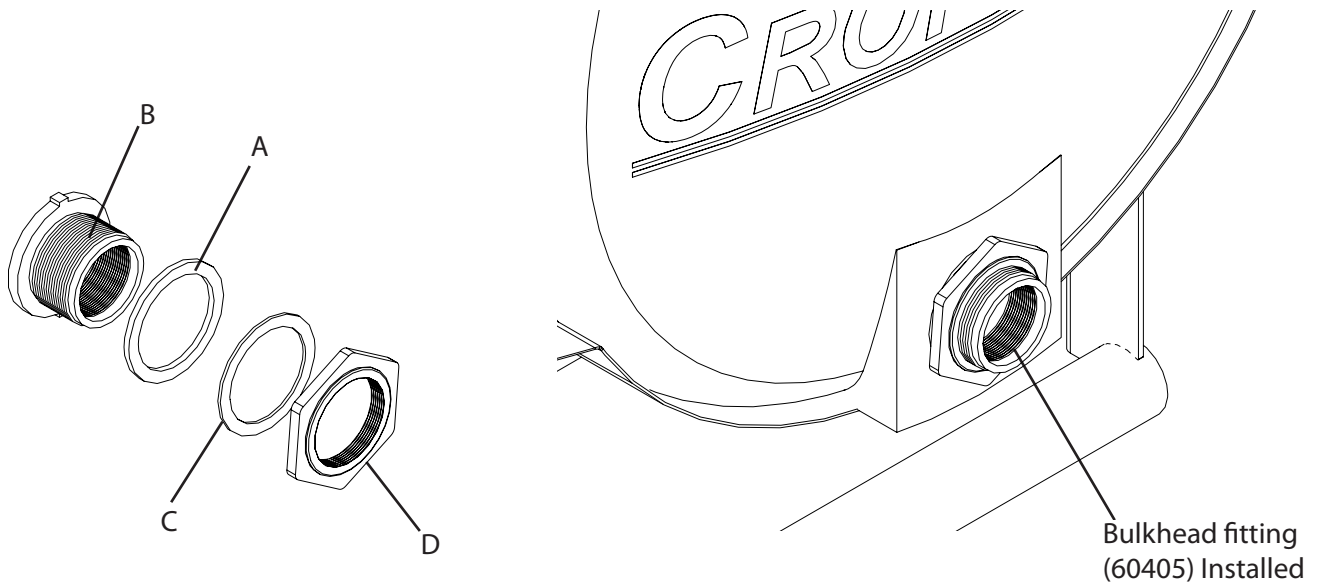
## A125K Kit Contents

Ref#	Qty.	Part Number	Description
1	1	60405	Fitting, Tank 2" Fitting Dbl Tap (Requires a 3" Hole)
2	1	200CMMC	Valve, Ball Bolted Compact 2" Full Port MPT x Male Coupler
3	1	200DCS	Dust Cap, 2" Male Coupler

# A125K Assembly Instructions

## Step 1

- Using the 3" hole saw, drill a hole in the end face of the tank. Make sure the hole is not too close to the bottom of the tank in order to fit the bulkhead.
- Install the bulkhead fitting (60405). The gasket (A) and the main threaded part (B) go inside the tank. While the washer (C) and the nut (D) go on the outside.



## Step 2

- Install the valve (200CMMC) and the Dust Cap (200DCS). Use thread tape and sealant on all threads.

