



# Assembly Instruction Manual

Arag pistol grip gun with 50ft of hose, kit  
Model: A126K

Manufactured by PBZ LLC  
A Paul B Zimmerman Inc. Company  
[www.CropCareEquipment.com](http://www.CropCareEquipment.com)

Form: A126KAM\_REV-A

# A126K Assembly Instructions

## Subject

The purpose of this document is to show the procedure for installing the gun kit onto a 3PT sprayer (110-300 gallon capacity).

### Installation Time:

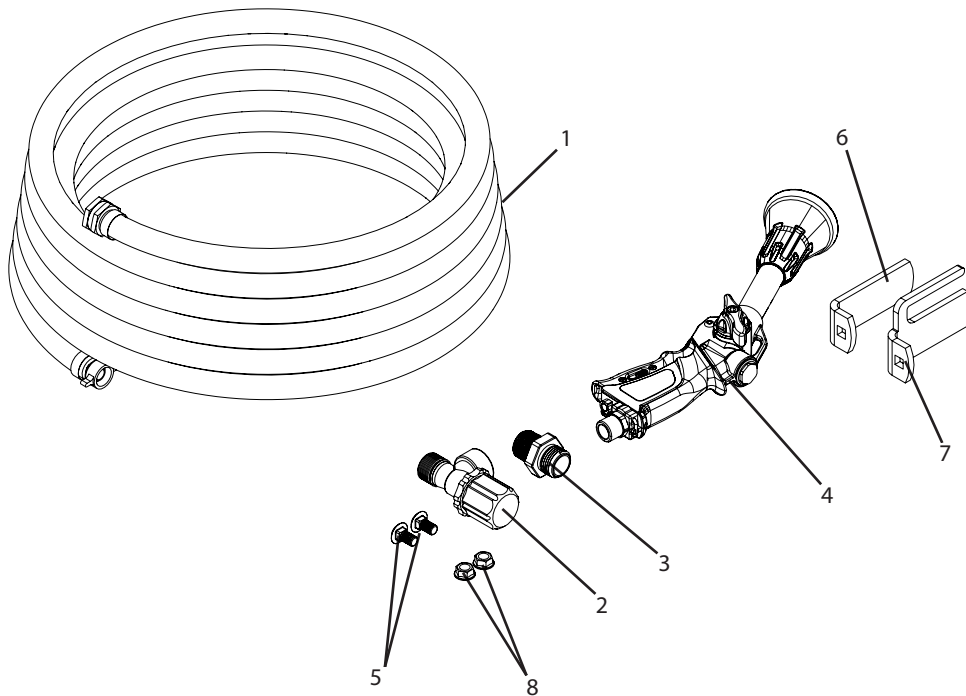
- Approximately 1 hour

### Recommended Tools

- 9/16" socket or wrench
- Adjustable wrench or pliers
- Pipe sealant
- Thread tape
- Hose cutter or knife to cut hoses
- 1/4" socket
- Flat head screw driver

# A126K Assembly Instructions

## A126K Kit Contents



Ref#	Qty.	Part Number	Description
1	50 ft	A126K-1	Accessory kit, Spray Gun, Hose with band-clamped fittings
2	1	2352034PP	Valve, Throttling 3/4" NPT Poly 150 PSI
3	1	3E3434	Adapter, Garden Hose 3/4" MGHT x 3/4" MPT Poly
4	1	5062410F	Spray Gun, 700 PSI
5	2	CB38*34G5	Bolt, Carriage 3/8-16 x 3/4" Gr 5
6	1	CC5521	Hose mount
7	1	CC5523	Hose mount w/ gun pin, black
8	2	FN38	Nut, Flange 3/8-16

# A126K Assembly Instructions

## Step 1

- Loosen the strap over the tank, so that there is room to fit bolts underneath the strap.
- The safety rinse tank can be installed on either side of the sprayer, but CropCare® recommends the left side of the sprayer (The left side when facing in the direction of travel while spraying).

Loosen the strap by unbolting one side from the tank saddle.

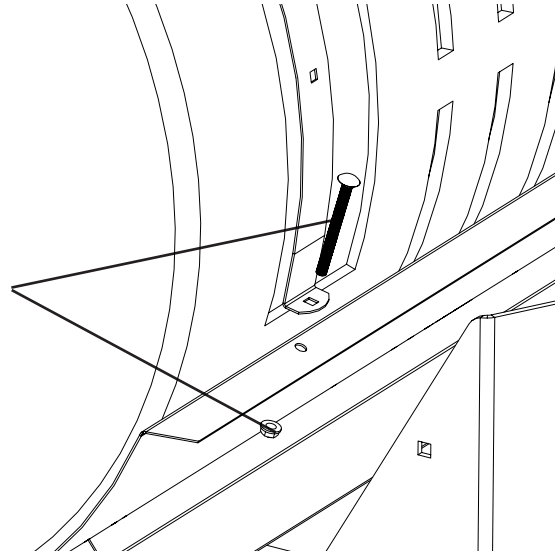


Figure 1

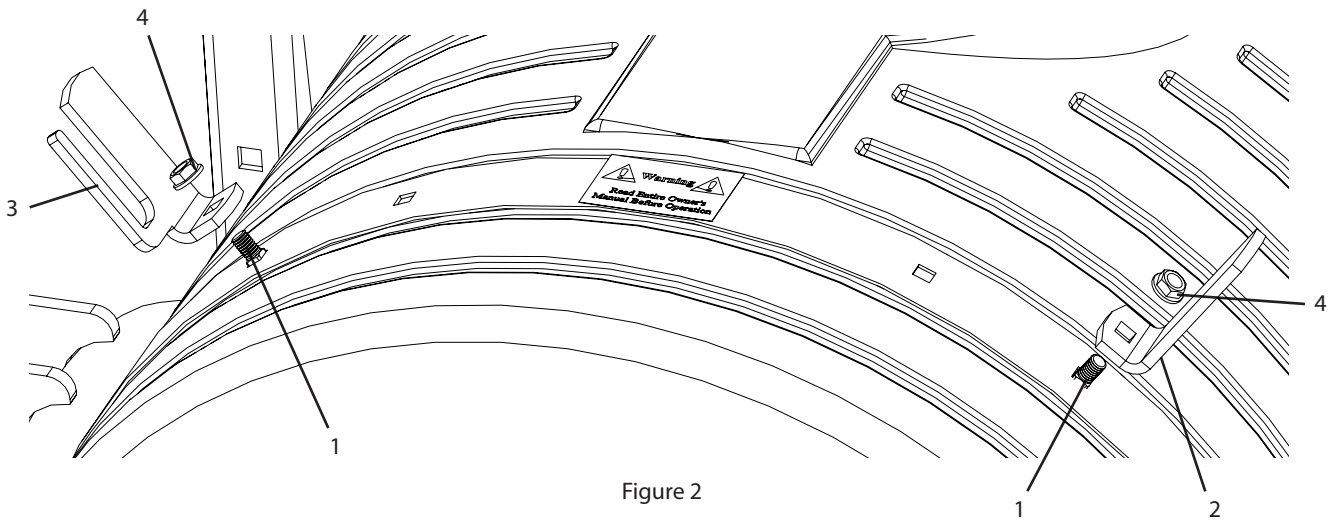


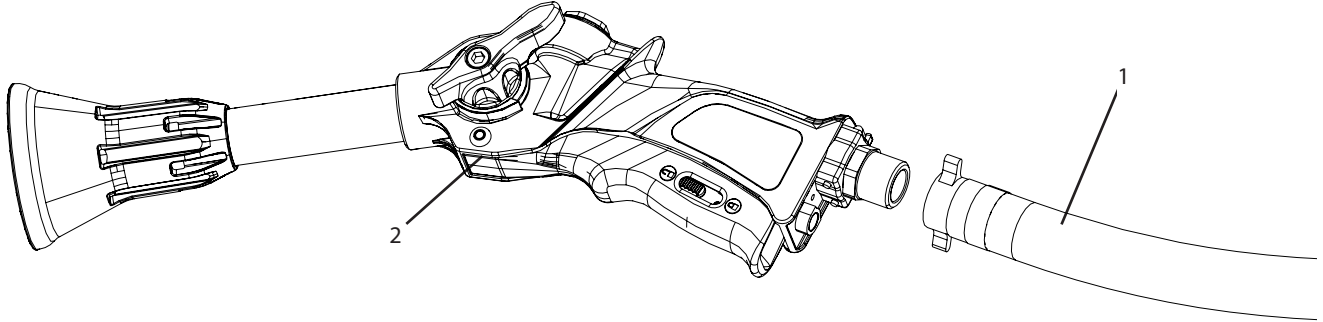
Figure 2

Ref#	Qty.	Part Number	Description
1	2	CB38*34G5	Bolt, Carriage 3/8-16 x 3/4" Gr 5
2	1	CC5521	Hose mount
3	1	CC5523	Hose mount w/ gun pin, black
4	2	FN38	Nut, Flange 3/8-16

# A126K Assembly Instructions

## Step 2

- Install the hose and adapter to the spray gun.

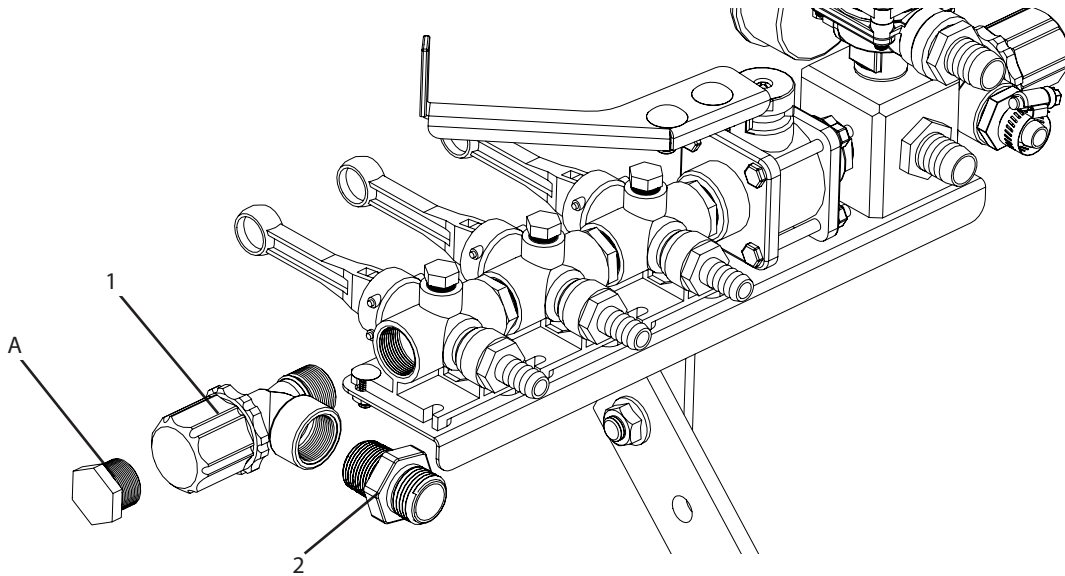


Ref#	Qty.	Part Number	Description
1	1	A126K-1	Accessory kit, Spray Gun, Hose with band-clamped fittings
2	1	5062410F	Spray Gun, 700 PSI

## With A6B-M Manual Controls

### Step 1

- Remove the plug (A) from the end of the control manifold.
- Install valve and threaded adapter fittings, use thread tape and sealant on threads.



Ref#	Qty.	Part Number	Description
1	1	2352034PP	Valve, Throttling 3/4" NPT Poly 150 PSI
2	1	3E3434	Adapter, Garden Hose 3/4" MGHT x 3/4" MPT Poly

# A126K Assembly Instructions

## With A6B-M Manual Controls

### Step 2

- Install the hose end with the garden hose adapter to the adapter on the valve. (Figure 1)
- Wrap the hose around the hose mounts on the tank and hook the spray gun onto the hose mount. (Figure 2)

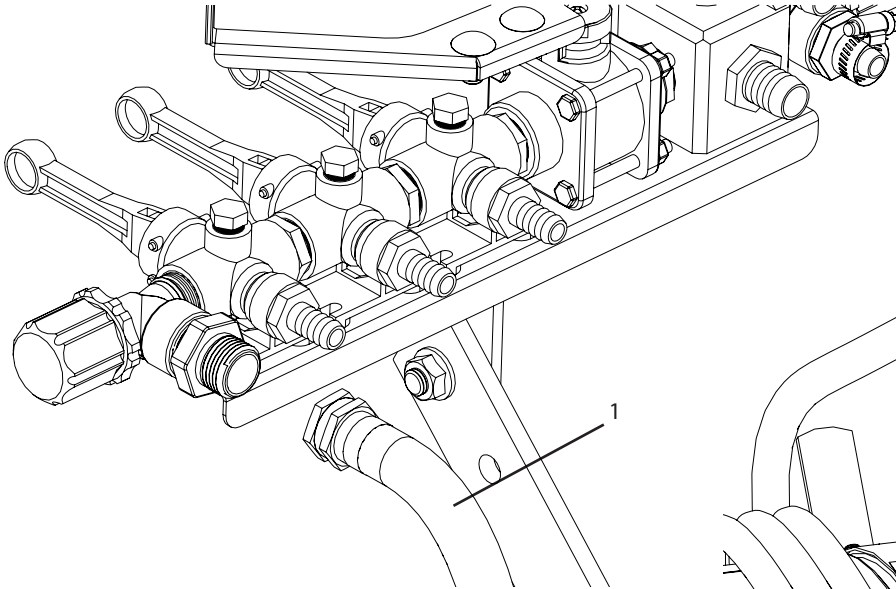


Figure 1

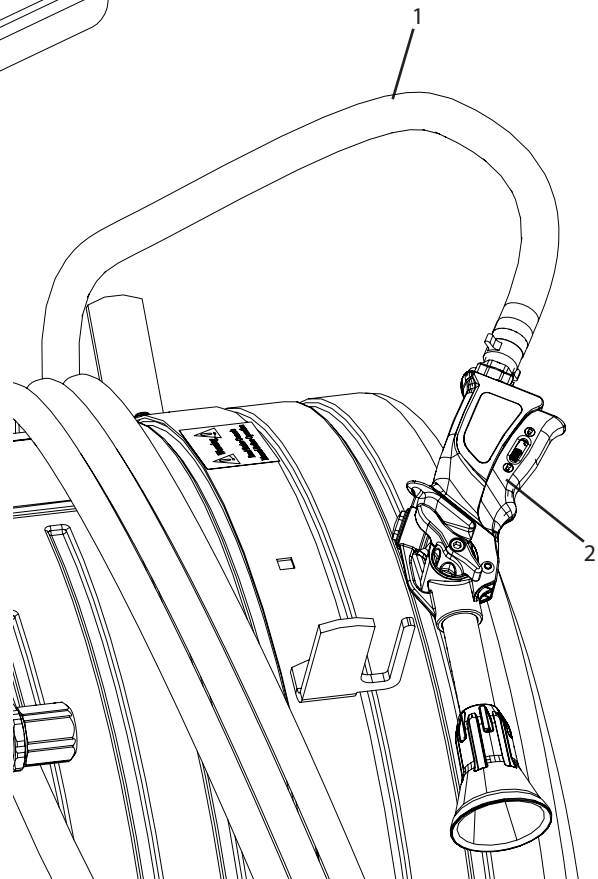


Figure 2

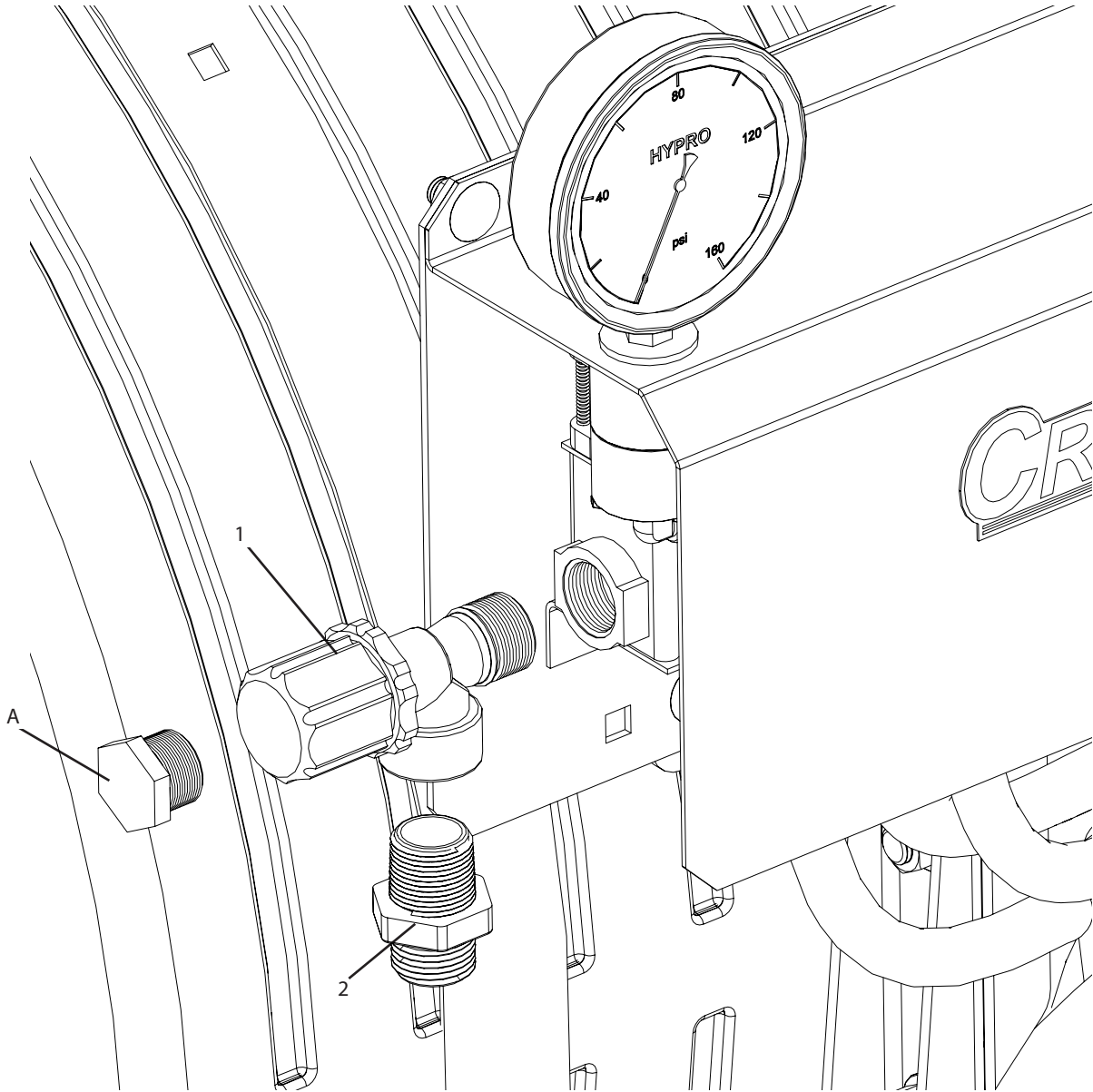
Ref#	Qty.	Part Number	Description
1	1	A126K-1	Accessory kit, Spray Gun, Hose with band-clamped fittings
2	1	5062410F	Spray Gun, 700 PSI

# A126K Assembly Instructions

## With SC400 Controls

### Step 1

- Remove the plug (A) from the end of the control manifold.
- Install valve and threaded adapter fittings, use thread tape and sealant on threads.



Ref#	Qty.	Part Number	Description
1	1	2352034PP	Valve, Throttling 3/4" NPT Poly 150 PSI
2	1	3E3434	Adapter, Garden Hose 3/4" MGHT x 3/4" MPT Poly

# A126K Assembly Instructions

## With SC400 Controls

### Step 2

- Install the hose end with the garden hose adapter to the adapter on the valve. (Figure 1)
- Wrap the hose around the hose mounts on the tank and hook the spray gun onto the hose mount. (Figure 2)

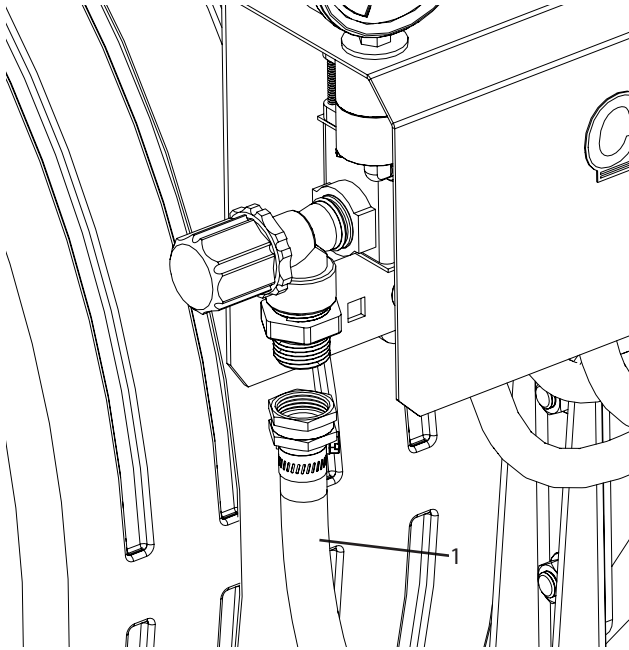


Figure 1

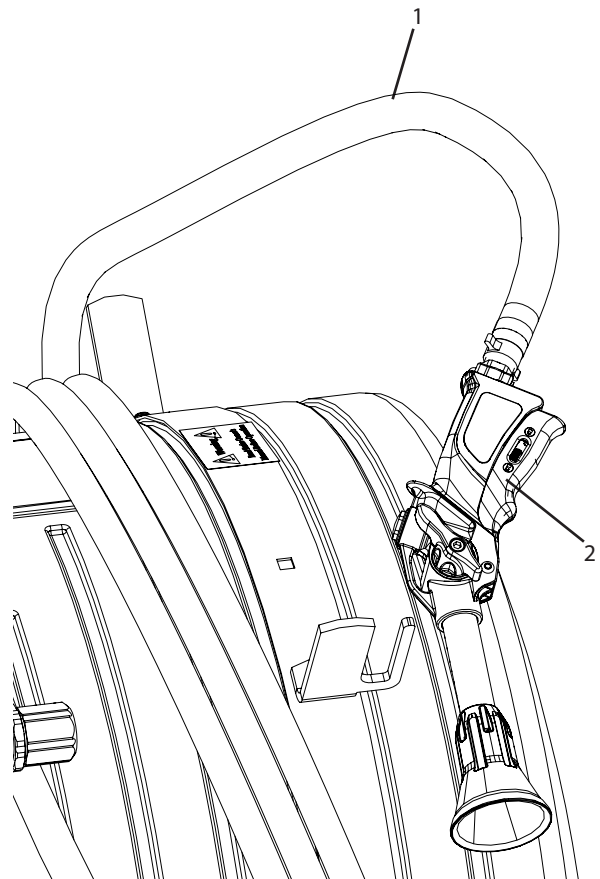


Figure 2

Ref#	Qty.	Part Number	Description
1	1	A126K-1	Accessory kit, Spray Gun, Hose with band-clamped fittings
2	1	5062410F	Spray Gun, 700 PSI