



# Assembly Instruction Manual

Boom line filters (3)

Model: A127K

**Manufactured by PBZ LLC**  
*A Paul B Zimmerman Inc. Company*  
**[www.CropCareEquipment.com](http://www.CropCareEquipment.com)**

**Form: A127KAM\_REV-A**

# A127K Assembly Instructions

## Subject

The purpose of this document is to show the procedure for installing a three section in-line filter kit onto the plumbing of a 3PT sprayer (110-300 gallon capacity).

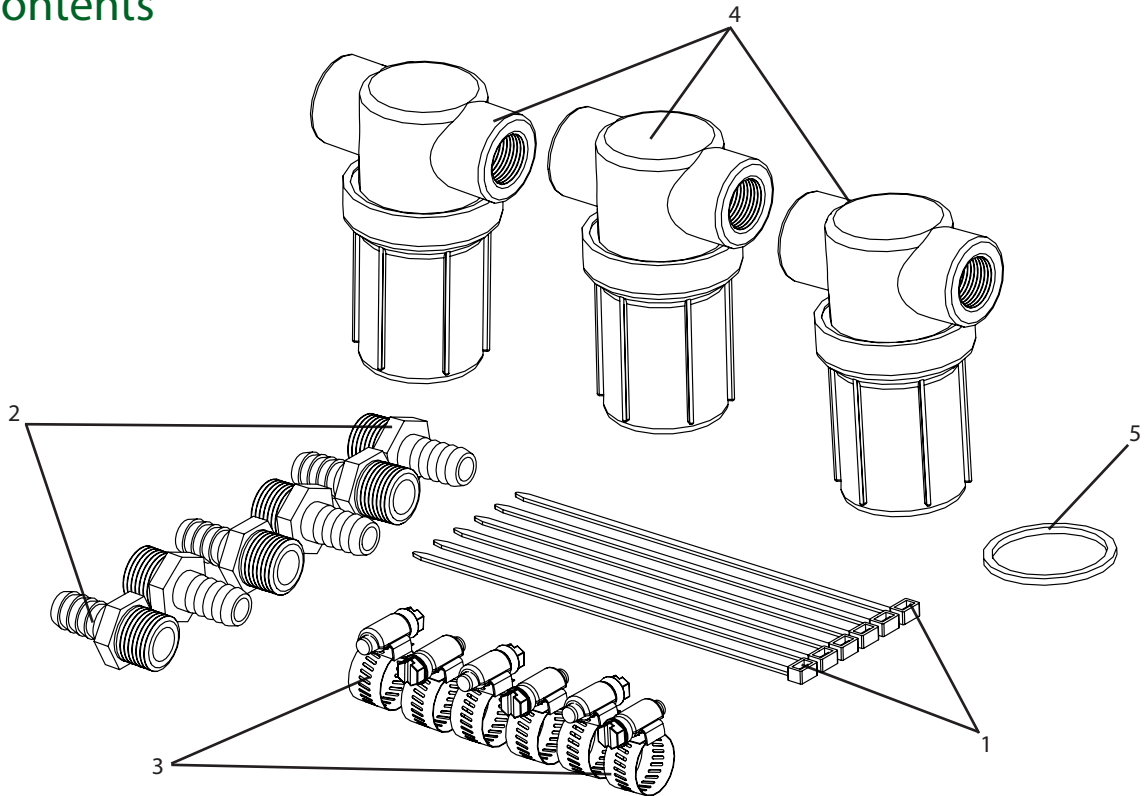
### Installation Time:

- Approximately 1 hour

### Recommended Tools

- Hose cutter or knife to cut hoses
- Pipe thread sealant
- Pipe thread tape
- Adjustable wrench or pliers

## A127K Kit Contents



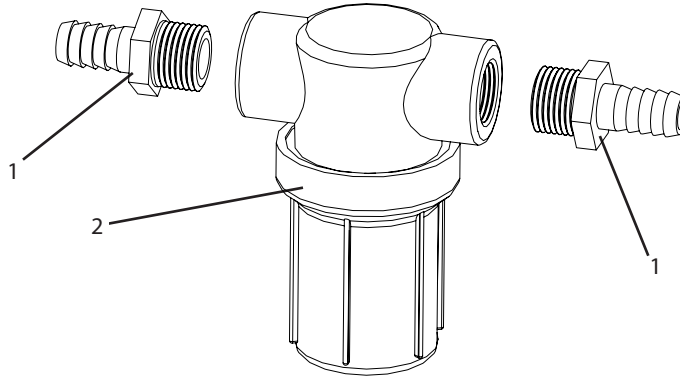
Ref#	Qty.	Part Number	Description
1	6	1175UV	Cable Tie, 11" 75 lb UV Black
2	6	3A1212	Adapter, Hose 1/2" MPT x 1/2" HB
3	6	6806052	Hose Clamp, 1/2" - 29/32" SS
4	3	AA12212PP50	Strainer, Line 1/2" FPT 50 mesh screen
5	1	CP23173EPR *	Gasket, Strainer AA122

\*Included as a replacement filter gasket.

# A127K Assembly Instructions

## Step 1

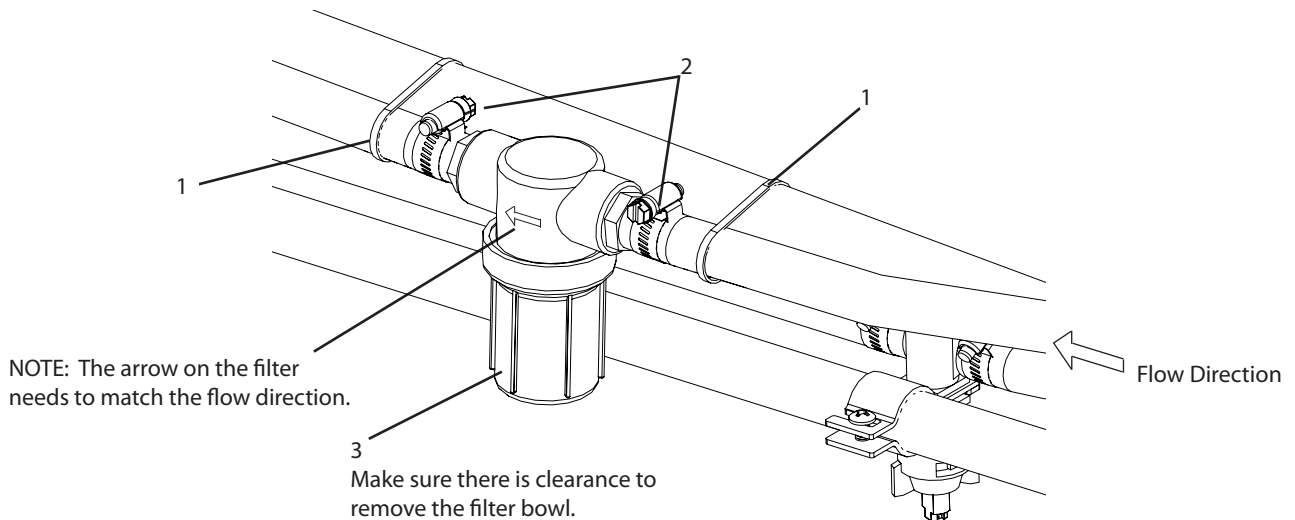
- Assemble the filter components. Use thread tape and sealant on all pipe threads.



Ref#	Qty.	Part Number	Description
1	2	3A1212	Adapter, Hose 1/2" MPT x 1/2" HB
2	1	AA12212PP50	Strainer, Line 1/2" FPT 50 mesh screen

## Step 2

- Cut hoses where the filters will be installed.
- Install the filter with the arrow matching the flow direction. When placing the filter make sure that the bowl can be removed for cleaning the filter mesh screen.
- Zip tie hoses to the boom, approximately within 2" of the filter.



Ref#	Qty.	Part Number	Description
1	6	1175UV	Cable Tie, 11" 75 lb UV Black
2	6	6806052	Hose Clamp, 1/2" - 29/32" SS
3	3	Filter Assembly	Filters and hose adapter fittings assembled in the previous step

