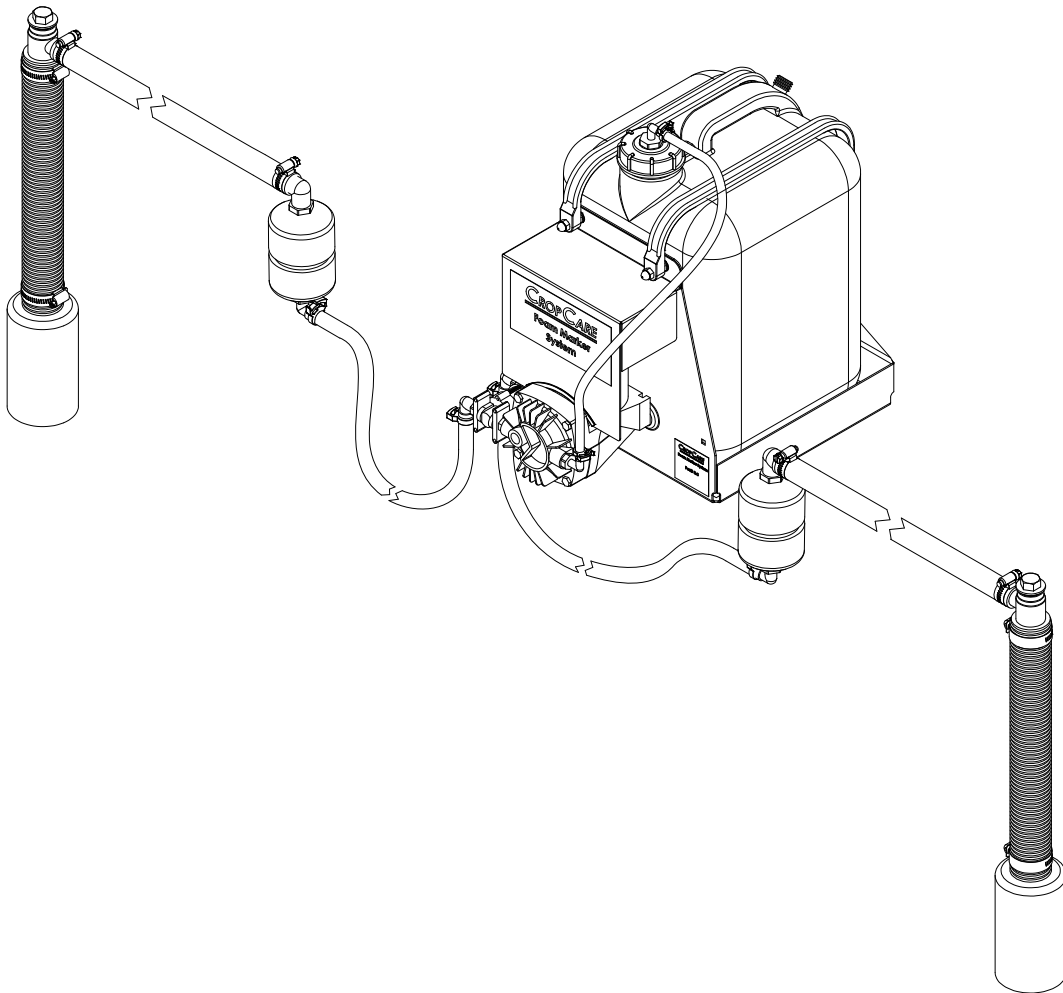


Assembly Instruction Manual

Foam marker system, 5 gallons, 200/300 3PT kit
Model: A317K



Manufactured by PBZ LLC
A Paul B Zimmerman Inc. Company
www.CropCareEquipment.com

A317K Assembly Instructions

Subject

The purpose of this document is to show the procedure for installing the foam marker kit onto a 3PT sprayer (200-300 gallon capacity).

Installation Time:

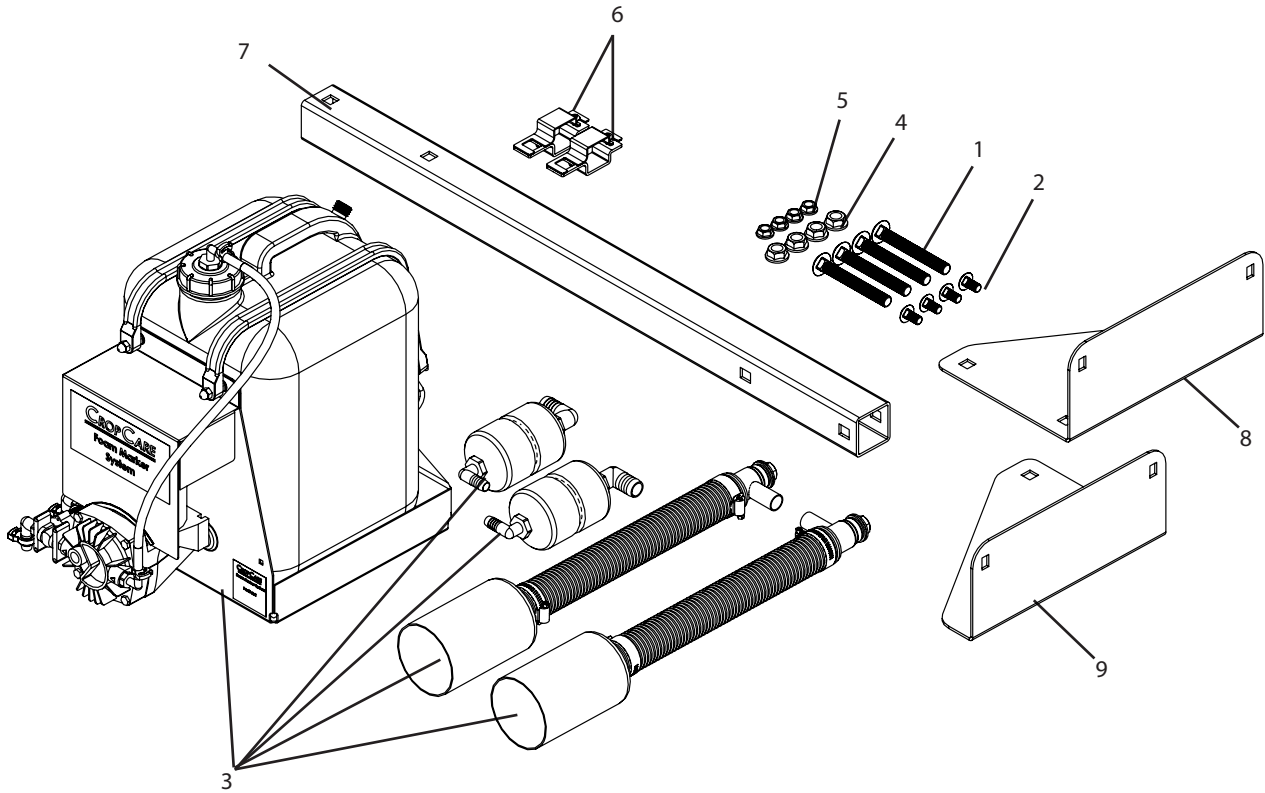
- Approximately 4 hours

Recommended Tools

- 9/16" socket or wrench
- 3/4" socket or wrench
- Phillips head screw driver
- Adjustable wrench or pliers
- Pipe sealant
- Thread tape
- Hose cutter or knife to cut hoses to length

A317K Assembly Instructions

A317K Kit Contents



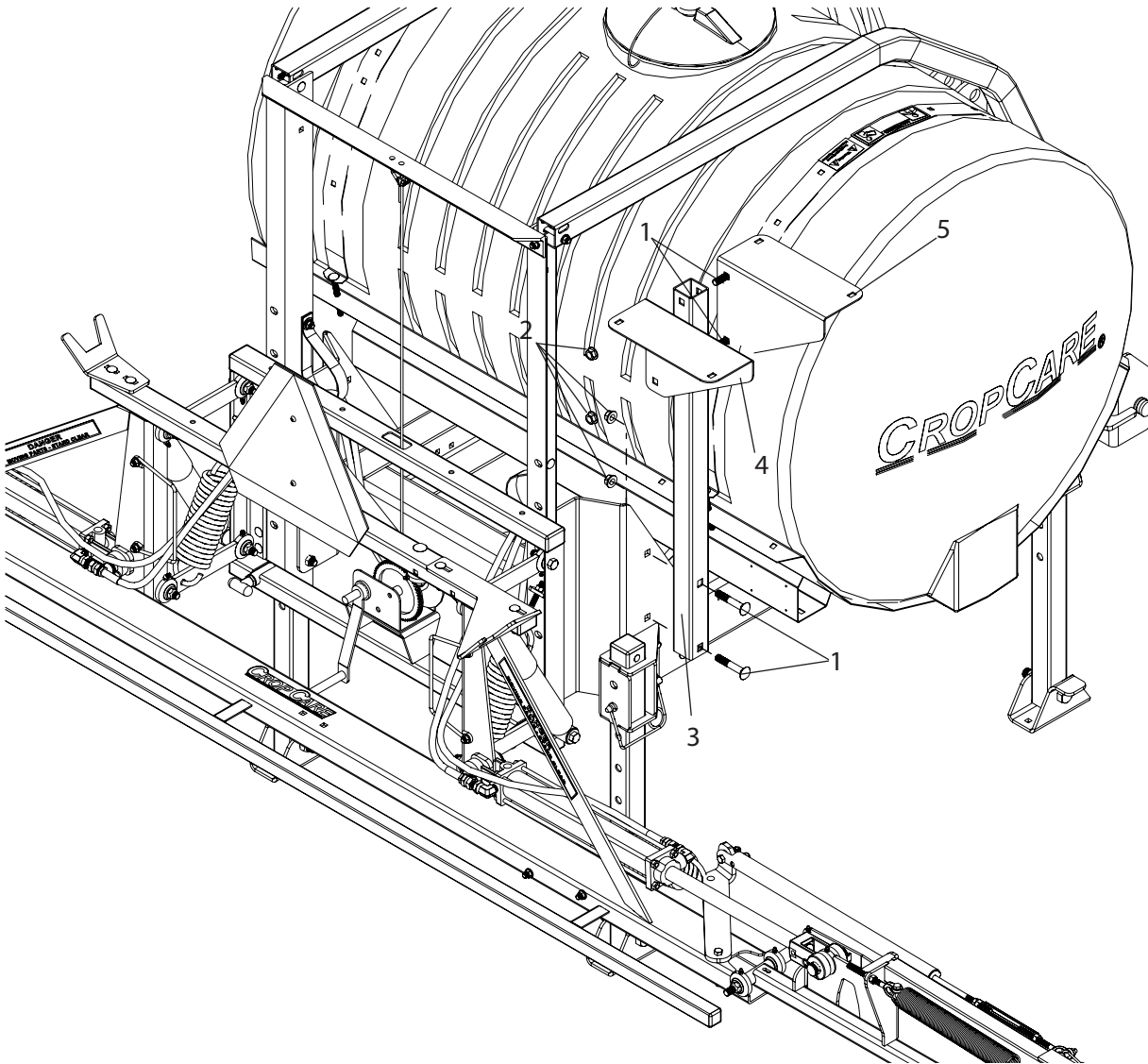
Ref#	Qty.	Part Number	Description
1	4	CB12*3G5	Bolt, Carriage 1/2-13 x 3" Gr 5
2	4	CB38*34G5	Bolt, Carriage 3/8-16 x 3/4" Gr 5
3	1	F1500A *	Foam Marker, System 5 Gal CropCare
4	4	FN12	Nut, Flange 1/2-13
5	4	FN38	Nut, Flange 3/8-16
6	2	QJ1115Q1145S	Clamp, Nozzle Body 1-1/4" Sq Tube SS
7	1	T327	Foamer Mount Post, 200/300 3PT
8	1	T328	Foamer mounting bracket, right, 200/300 3PT
9	1	T329	Foamer mounting bracket, left, 200/300 3PT
10	15 ft	DC784	Loom, Flex-Gard 3/8"

* See owner's manual for parts breakdowns.

A317K Assembly Instructions

Step 1

- Bolt on the foam marker steel mounting parts.

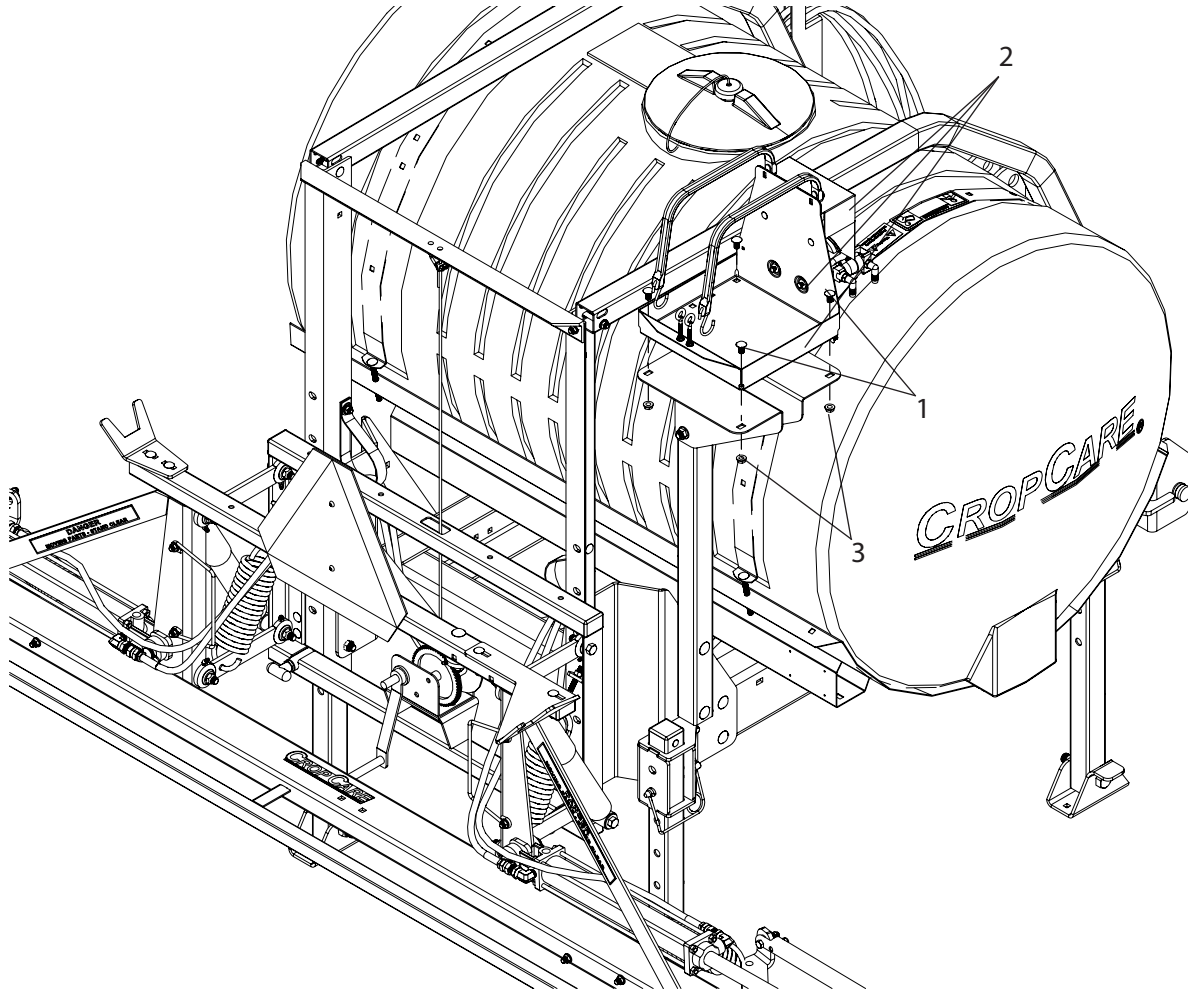


Ref#	Qty.	Part Number	Description
1	4	CB12*3G5	Bolt, Carriage 1/2-13 x 3" Gr 5
2	4	FN12	Nut, Flange 1/2-13
3	1	T327	Foamer mount post, 200/300 3PT
4	1	T328	Foamer mounting bracket, right, 200/300 3PT
5	1	T329	Foamer mounting bracket, left, 200/300 3PT

A317K Assembly Instructions

Step 2

- Unstrap the foam marker tank (This is to allow access for bolting to the post brackets).
- Bolt on the foam marker to the mounting brackets.
- Strap tank back onto the foam marker unit.
- Install wire loom (DC784) onto wiring harness.
- Route wiring harness to the front of the sprayer, see owner's manual for wiring details.

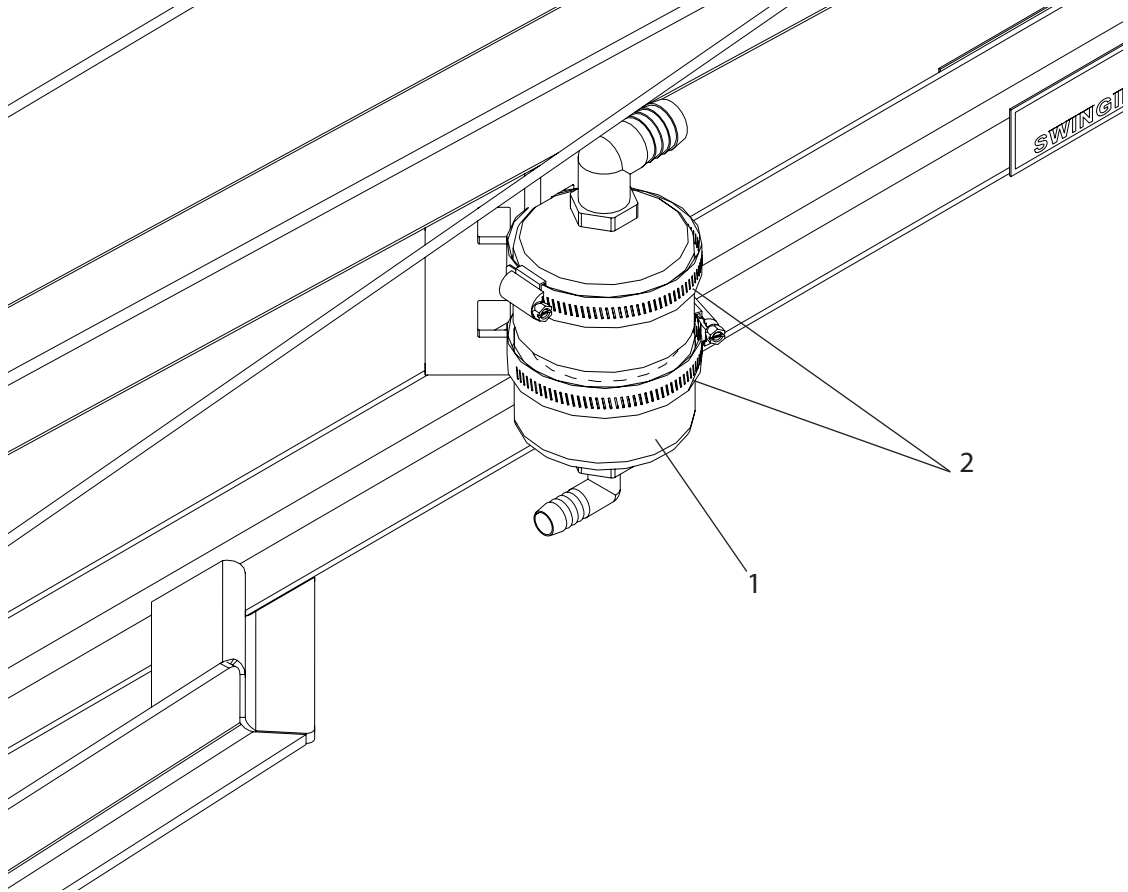


Ref#	Qty.	Part Number	Description
1	4	CB38*34G5	Bolt, Carriage 3/8-16 x 3/4" Gr 5
2	1	F1500A	Foam Marker System 5 gal. CropCare
3	4	FN38	Nut, Flange 3/8-16
4	15 ft	DC784	Loom, Flex-Gard 3/8"

A317K Assembly Instructions

Step 3

- Mount the foam marker mixing chambers.



Ref#	Qty.	Part Number	Description
1	2	F1504A*	Mixing chamber, F1500A, F1200A
2	4	6864052*	Hose Clamp, 2-1/2" - 4-1/2" SS

*Parts are in F1500A Foam Marker Kit

A317K Assembly Instructions

Step 4

- Mount the foam marker drop tubes onto the wings. On 45' hydraulic X-folding booms the drop tube is clamped to the wing (Figure 1). On other booms the drop tube uses a clamp (Items 2) to be fastened to the boom wing (Figure 2). The drop tube should be fastened onto either the front or back side of the boom as needed to avoid nozzle spray or lap nozzle mounting.

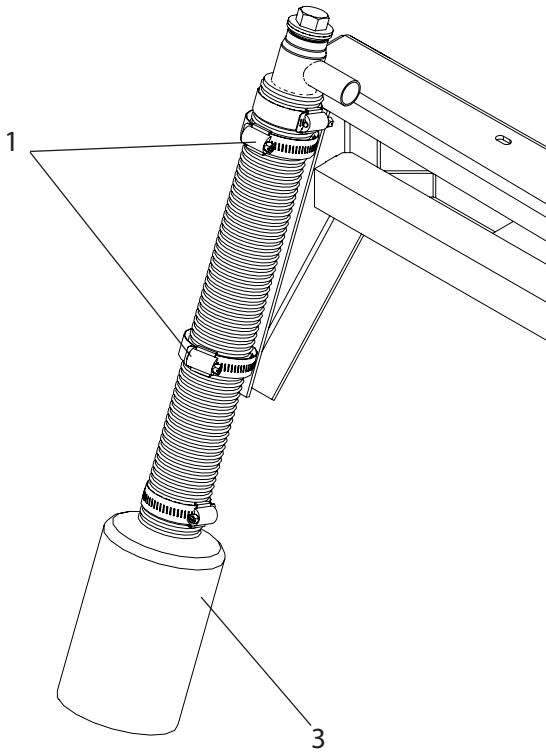


Figure 1

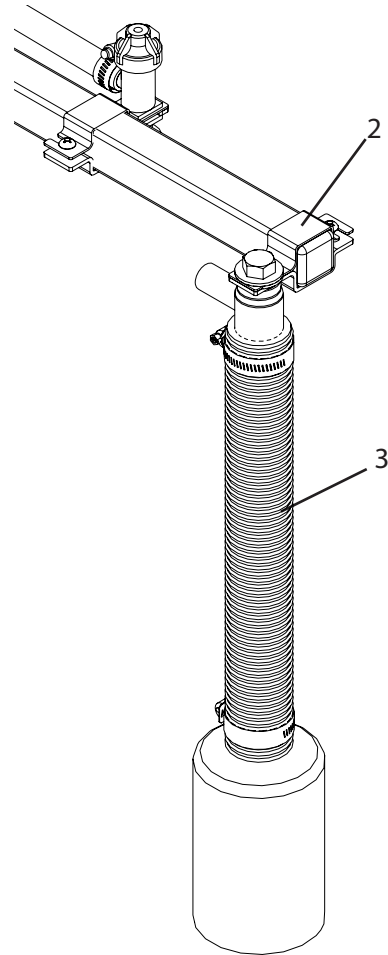


Figure 2

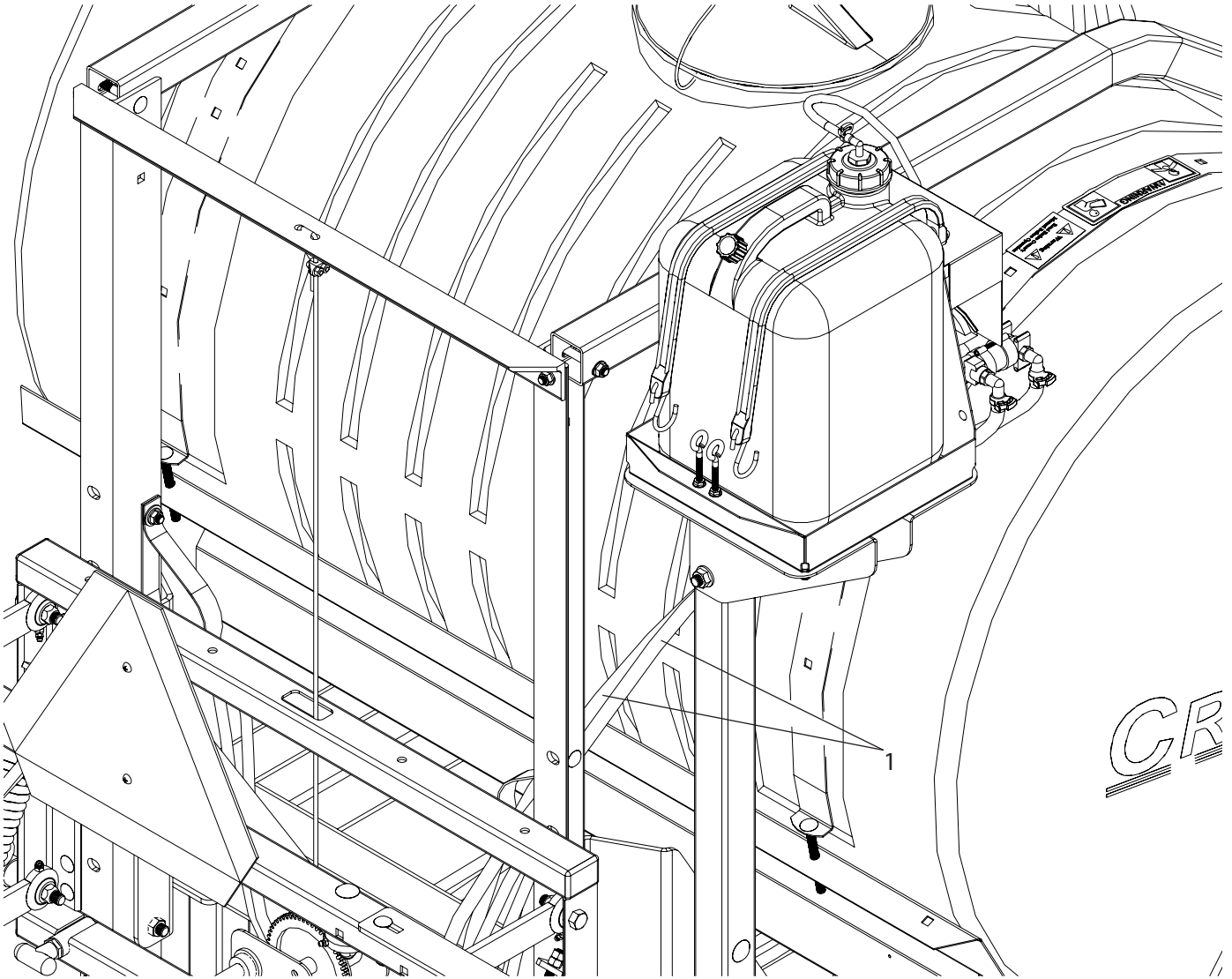
Ref#	Qty.	Part Number	Description
1	4	6828052 *	Hose Clamp, 1-5/16" - 2 1/4" SS
2	2	QJ1115Q114	Clamp, Nozzle Body 1-1/4" Sq Tube Steel
3	2	F510A *	Drop Tube, Foamer 3/4" Hose Barb

*Parts are in F1500A Foam Marker Kit

A317K Assembly Instructions

Step 5

- Attach the hoses to the foam marker output elbows.
- Route hoses along side of the boom plumbing feed lines to the mixing chambers.
- Zip tie hoses to the boom plumbing hoses using zip ties included in F1500A.



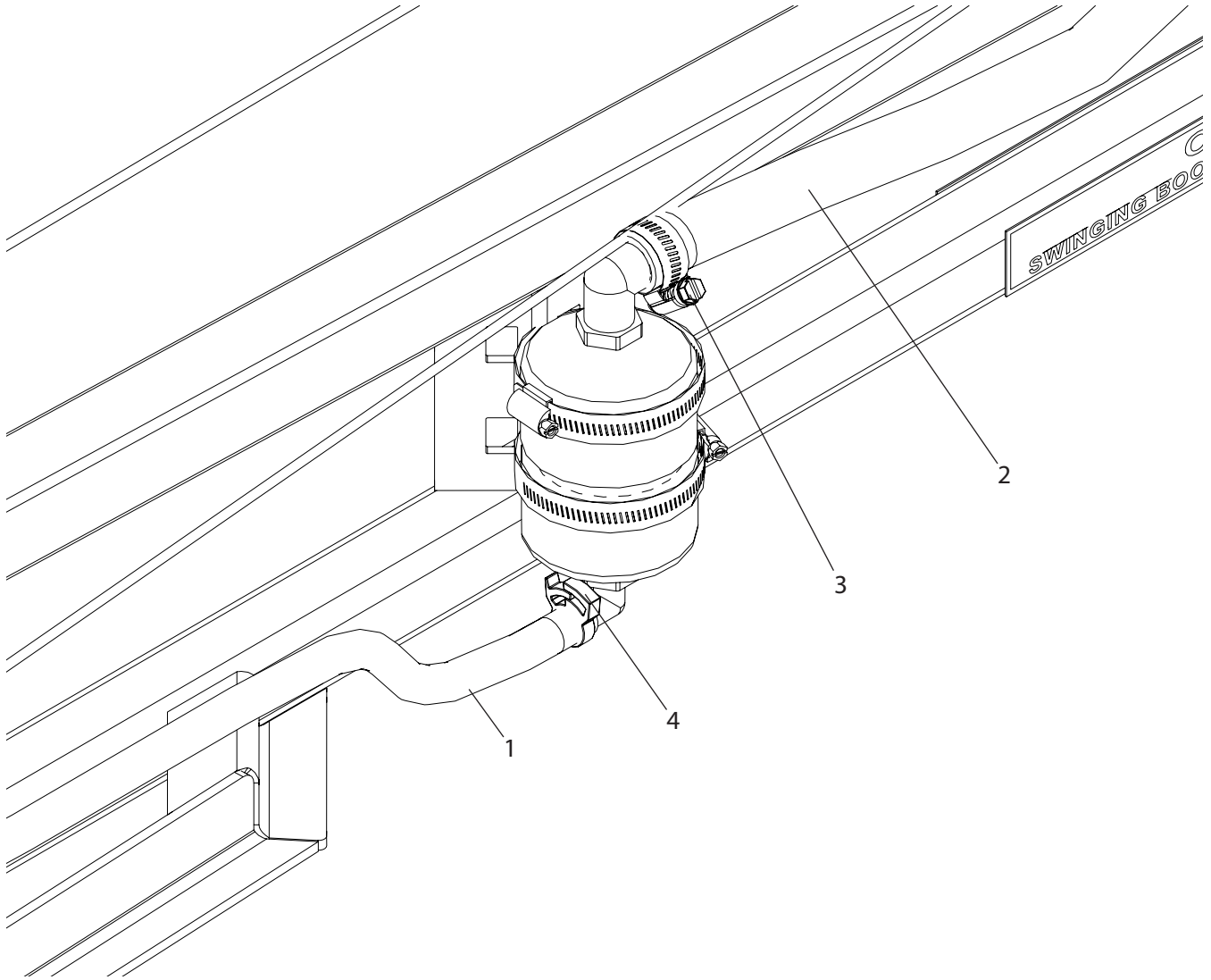
Ref#	Part Number	Description
1	1971*	Tubing, Vinyl 1/2" ID x 5/8" OD 30 PSI

*Hoses are in F1500A Foam Marker Kit

A317K Assembly Instructions

Step 6

- Attach the hoses to the mixing chambers.
- Zip tie hoses to the boom plumbing hoses using zip ties included in F1500A.



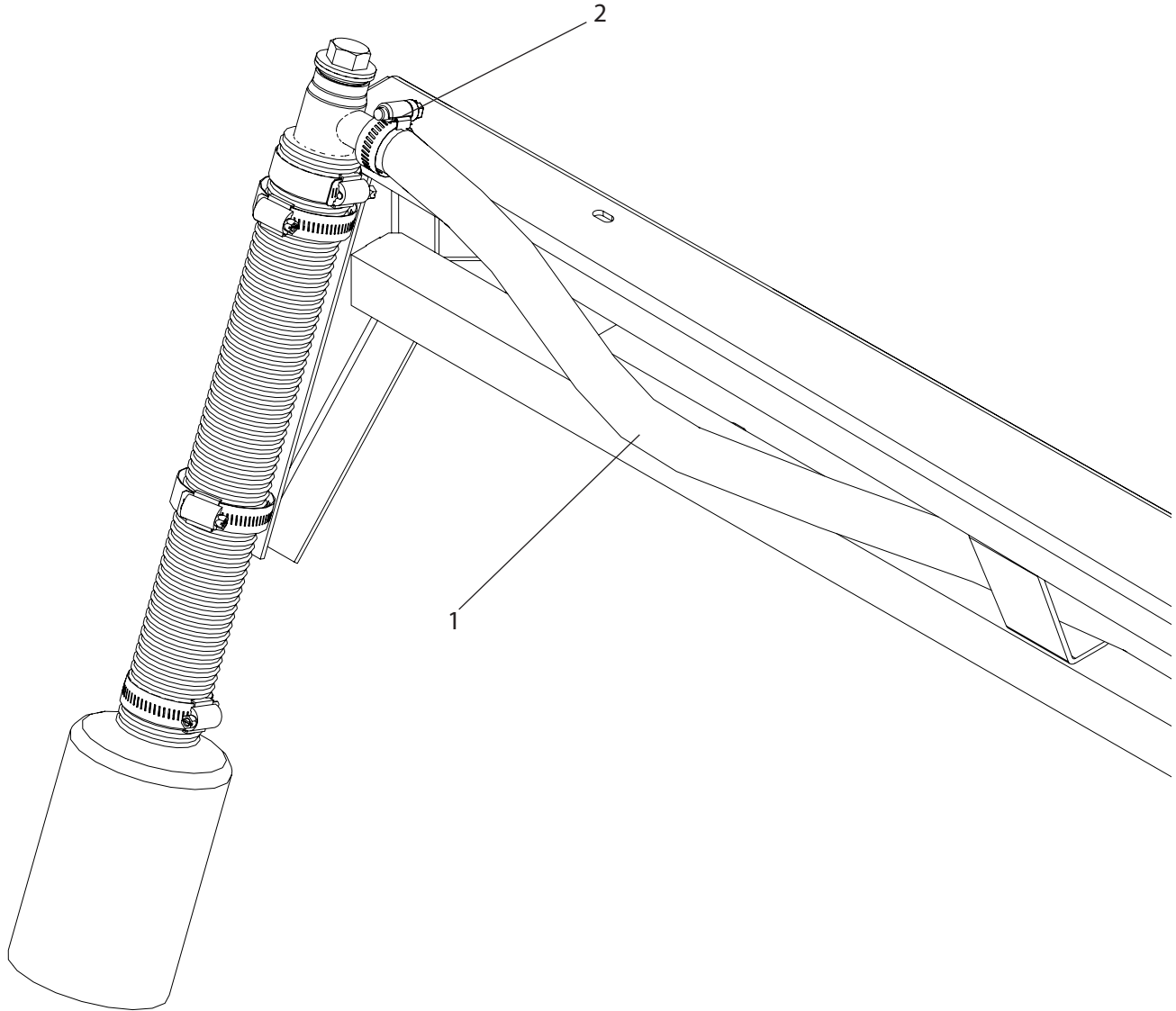
Ref#	Qty.	Part Number	Description
1	-	1971*	Tubing, Vinyl 1/2" ID x 5/8" OD 30 PSI
2	-	3003*	Hose, Suction 3/4" Clear PVC 100 PSI
3	2	6810052*	Hose Clamp, 9/16" - 1-1/16" SS
4	2	HC067*	Clamp, Snap Grip 0.59" - 0.67" Size F

*Included in F1500A Foam Marker Kit

A317K Assembly Instructions

Step 7

- Attach the hoses to the drop tubes.
- Zip tie hoses to the boom plumbing hoses using zip ties included in F1500A.



Ref#	Qty.	Part Number	Description
1	-	3003*	Hose, Suction 3/4" Clear PVC 100 PSI
2	2	6810052*	Hose Clamp, 9/16" - 1-1/16" SS

*Included in F1500A Foam Marker Kit