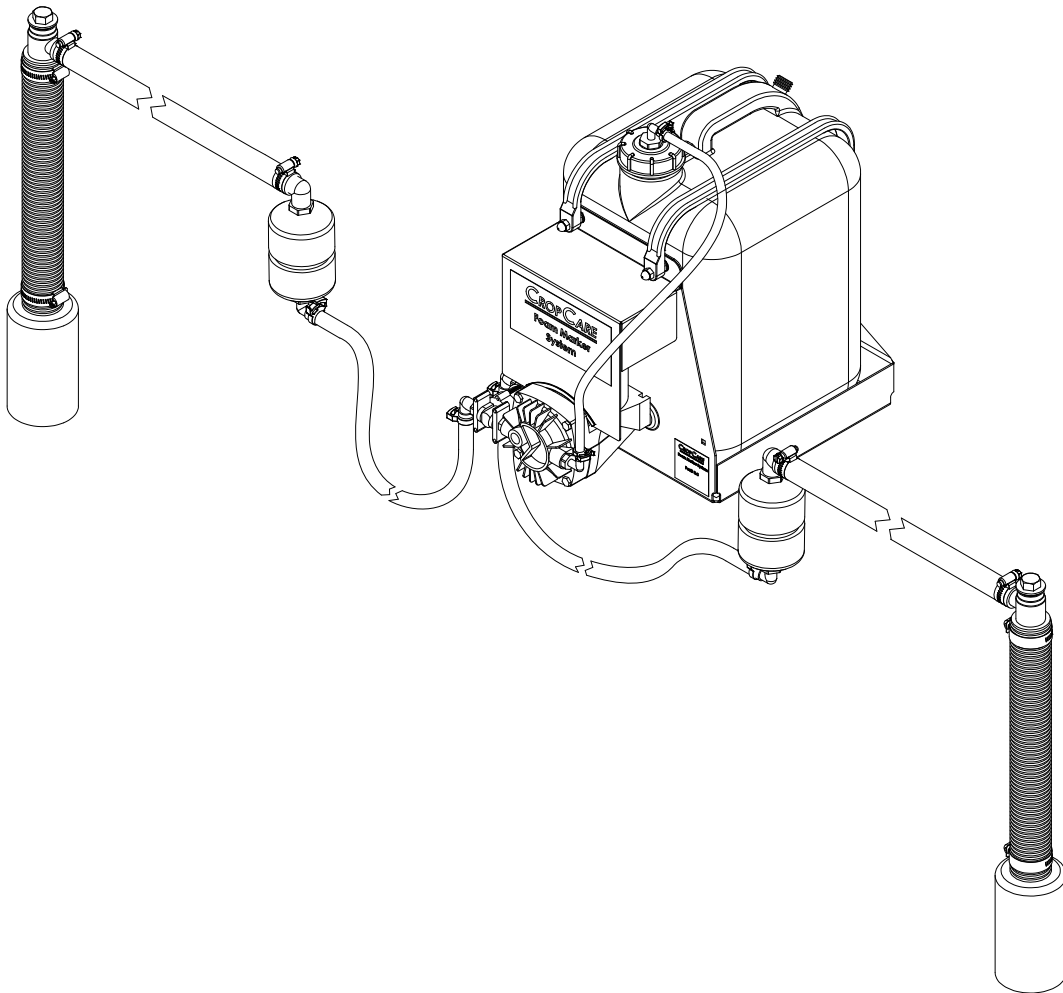


Assembly Instruction Manual

F1500 foam marker, 5 gallon kit
Model: F1500-3PT-BK



Manufactured by PBZ LLC
A Paul B Zimmerman Inc. Company
www.CropCareEquipment.com

F1500-3PT-BK Assembly Instructions

Subject

The purpose of this document is to show the procedure for installing the foam marker kit onto a 30' manual folding boom.

Installation Time:

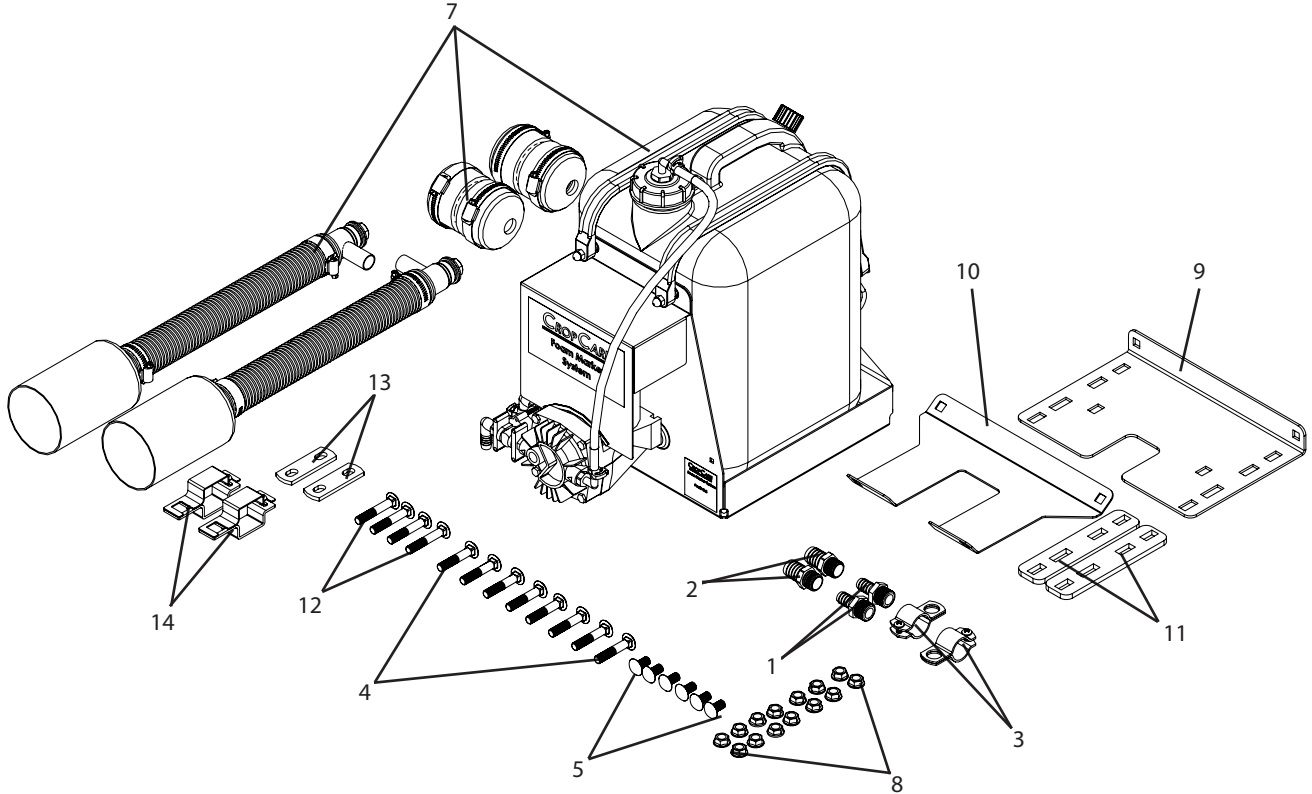
- Approximately 4 hours

Recommended Tools

- 9/16" socket or wrench
- Phillips head screw driver
- Adjustable wrench or pliers
- Pipe sealant
- Thread tape
- Hose cutter or knife to cut hoses to length

F1500-3PT-BK Assembly Instructions

F1500-3PT-BK Kit Contents



Ref#	Qty.	Part Number	Description
1	2	3A1212	Adapter, Hose 1/2" MPT x 1/2" HB
2	2	3A1234	Adapter, Hose 1/2" MPT x 3/4" HB
3	2	AA11134	Clamp, Round 3/4" Pipe
4	8	CB38*2G5	Bolt, Carriage 3/8-16 x 2" Gr 5
5	6	CB38*34G5	Bolt, Carriage 3/8-16 x 3/4" Gr 5
6	15 ft	DC784	Loom, Flex-Gard 3/8"
7	1	F1500A *	Foam Marker, System 5 Gal CropCare
8	18	FN38	Nut, Flange 3/8-16
9	1	T554	Bracket, black, to mount foamer on boom
10	1	T554A	Brace, black, to mount foamer on boom
11	2	T554B	Clip, black, to mount foamer on boom
12	4	CB38*214G5	Bolt, Carriage 3/8-16 x 2 1/4" Gr 5
13	2	BF1210	Boom mounting clip, 12' boom, black
14	2	QJ111SQ112	Clamp, Nozzle Body 1-1/2" Sq Tube Zinc

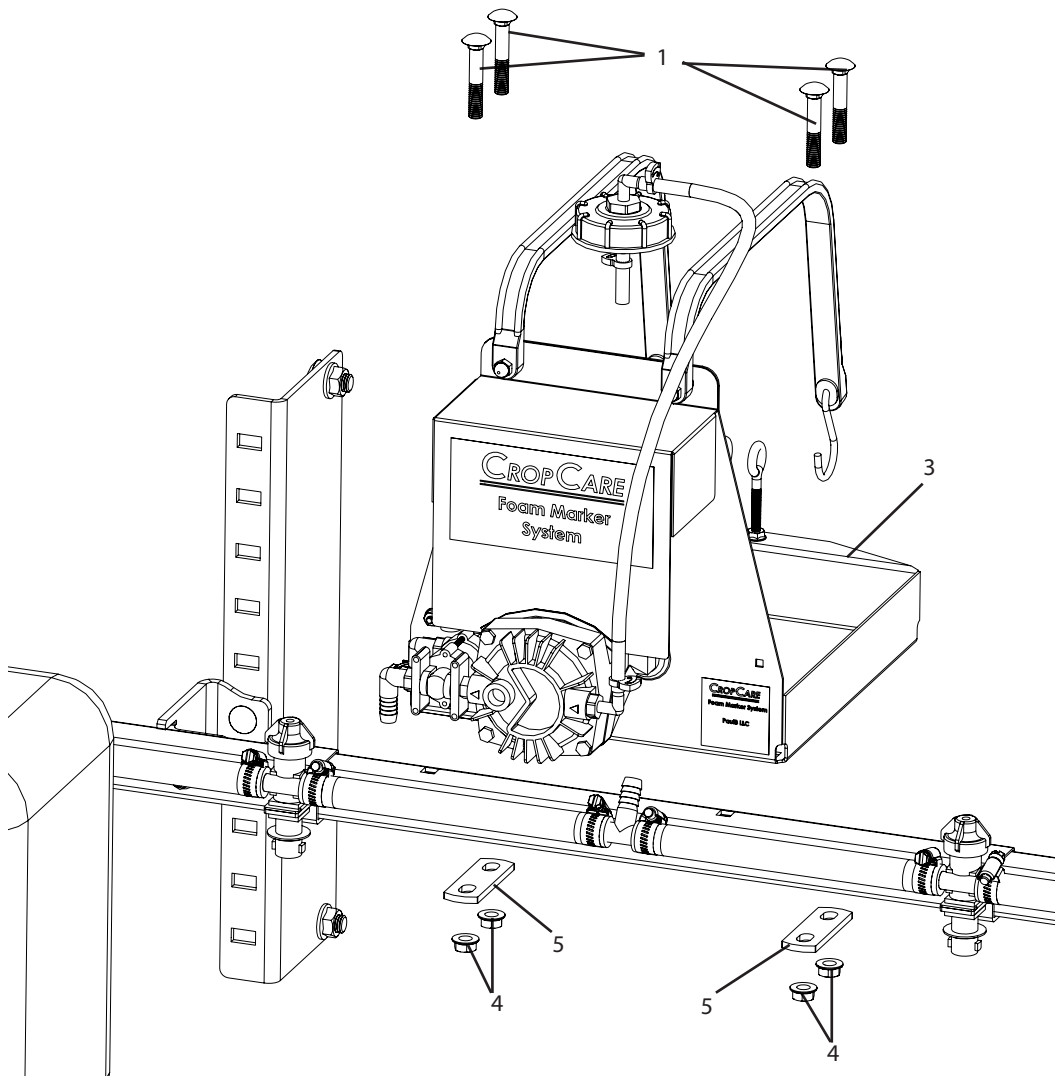
* See owner's manual for parts breakdowns.

F1500-3PT-BK Assembly Instructions

With MX240 Boom

Step 1

- Unstrap the foam mixture tank to access the holes in the pan for mounting to the brackets.
- Bolt on the foam marker to the mounting brackets.
- Strap the tank back into place.
- Install wire loom (DC784) onto wiring harness.
- Route wiring harness to the front of the sprayer, see owner's manual included in the F1500A for wiring details.



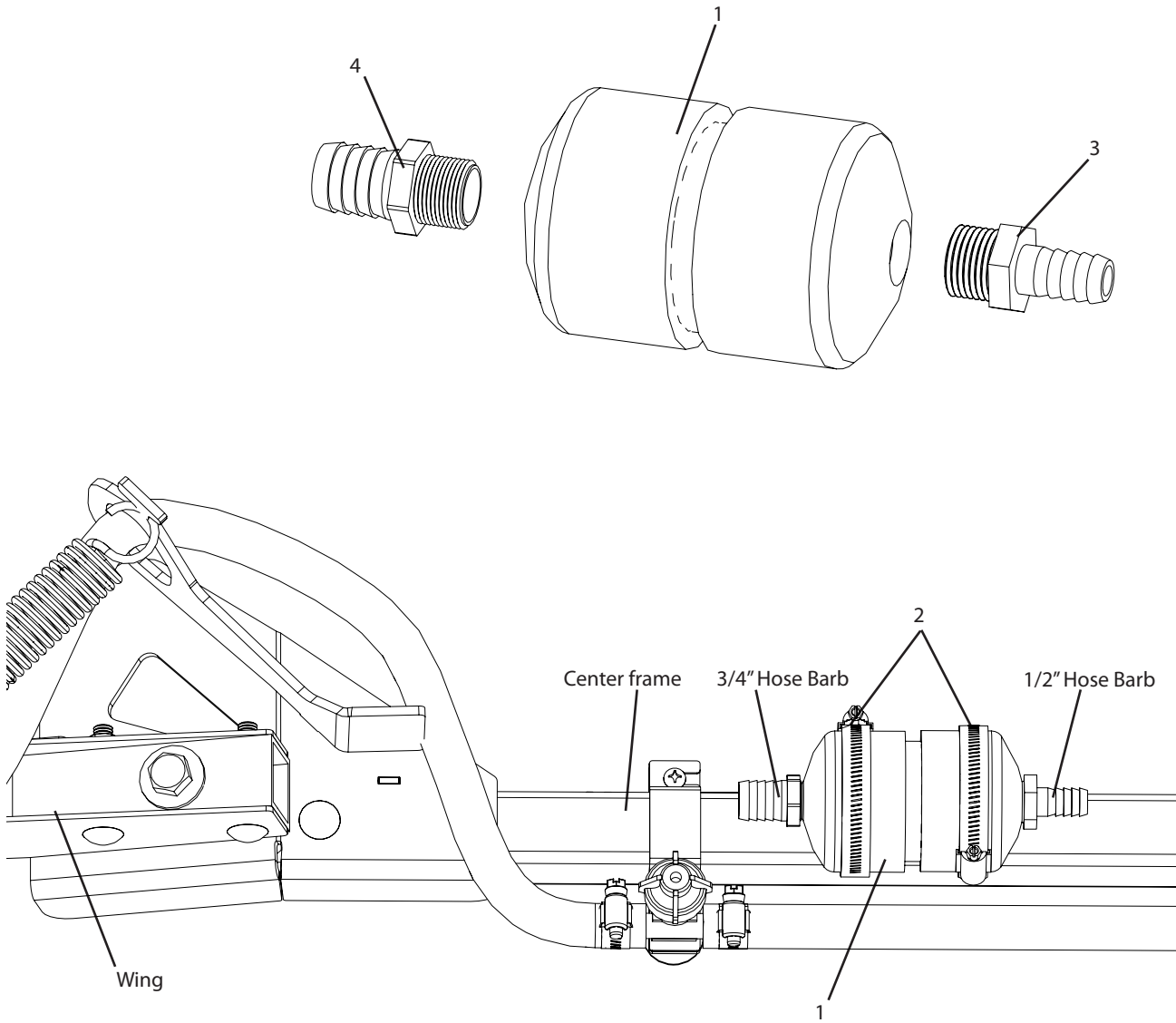
Ref#	Qty.	Part Number	Description
1	4	CB38*214G5	Bolt, Carriage 3/8-16 x 2 1/4" Gr 5
2	15 ft	DC784	Loom, Flex-Gard 3/8"
3	1	F1500A	Foam Marker, System 5 Gal CropCare
4	4	FN38	Nut, Flange 3/8-16
5	2	BF1210	Boom mounting clip, 12' boom, black

F1500-3PT-BK Assembly Instructions

With MX240 Boom

Step 3

- The elbow fittings on the mixing chambers need to be swapped to straight fittings. Swap the 3/4" Hose adapter elbow with the 3/4" Straight hose adapter (Item 4) and swap the 1/2" hose adapter elbow with the 1/2" Straight hose adapter (Item 3).
- Then mount the mixing chamber to the boom center frame, secure with hose clamps (Item 2)



Ref#	Qty.	Part Number	Description
1	2	F1504A*	Mixing chamber, F1500A, F1200A
2	4	6864052*	Hose Clamp, 2-1/2" - 4-1/2" SS
3	2	3A1212	Adapter, Hose 1/2" MPT x 1/2" HB
4	2	3A1234	Adapter, Hose 1/2" MPT x 3/4" HB

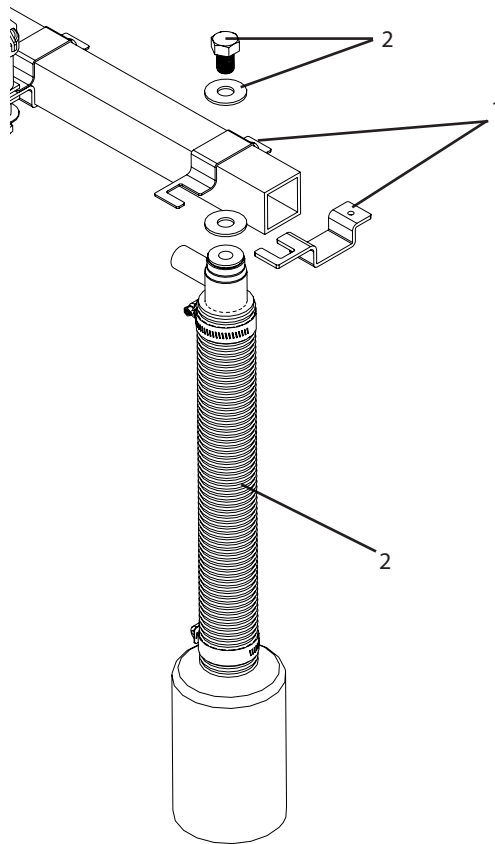
*Parts are in F1500A Foam Marker Kit

F1500-3PT-BK Assembly Instructions

With MX240 Boom

Step 4

- Install the foam marker drop tubes onto the wings. Loosen the bolt in the top of the drop tube (Part of Item 2).
- The drop tube uses a clamp (Item 1) to be fastened to the boom wing. Make sure that there is a washer (Part of Item 2) on the top and bottom sides of the clamp (Item 1).
- The drop tube should be fastened onto either the front or back side of the boom as needed to avoid nozzle spray or lap nozzle mounting.
- After positioning the clamp (Item 1) tighten the clamp screw and the drop tube bolt (Item 2)



Ref#	Qty.	Part Number	Description
1	2	QJ111SQ112	Clamp, Nozzle Body 1-1/2" Sq Tube Zinc
2	2	F510A *	Drop Tube, Foamer 3/4" Hose Barb

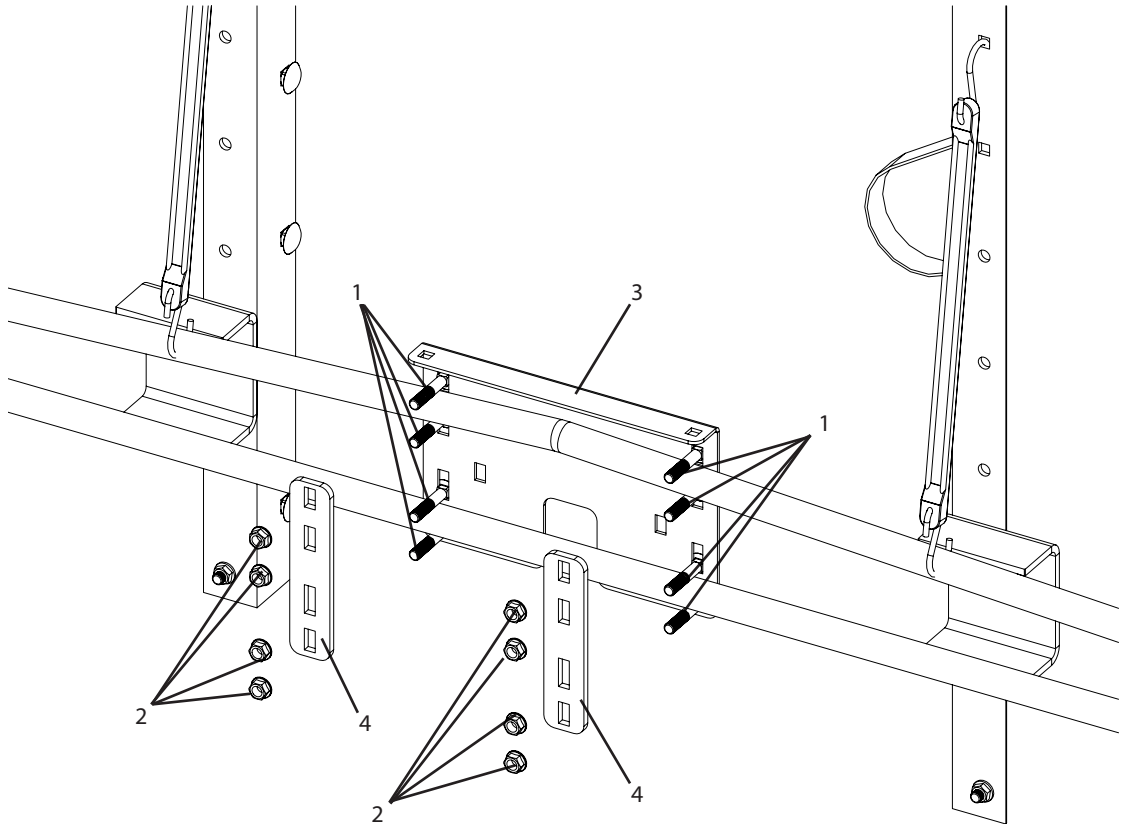
*Parts are in F1500A Foam Marker Kit

F1500-3PT-BK Assembly Instructions

With MX30 Boom

Step 1

- Bolt on the foam marker steel mounting parts.



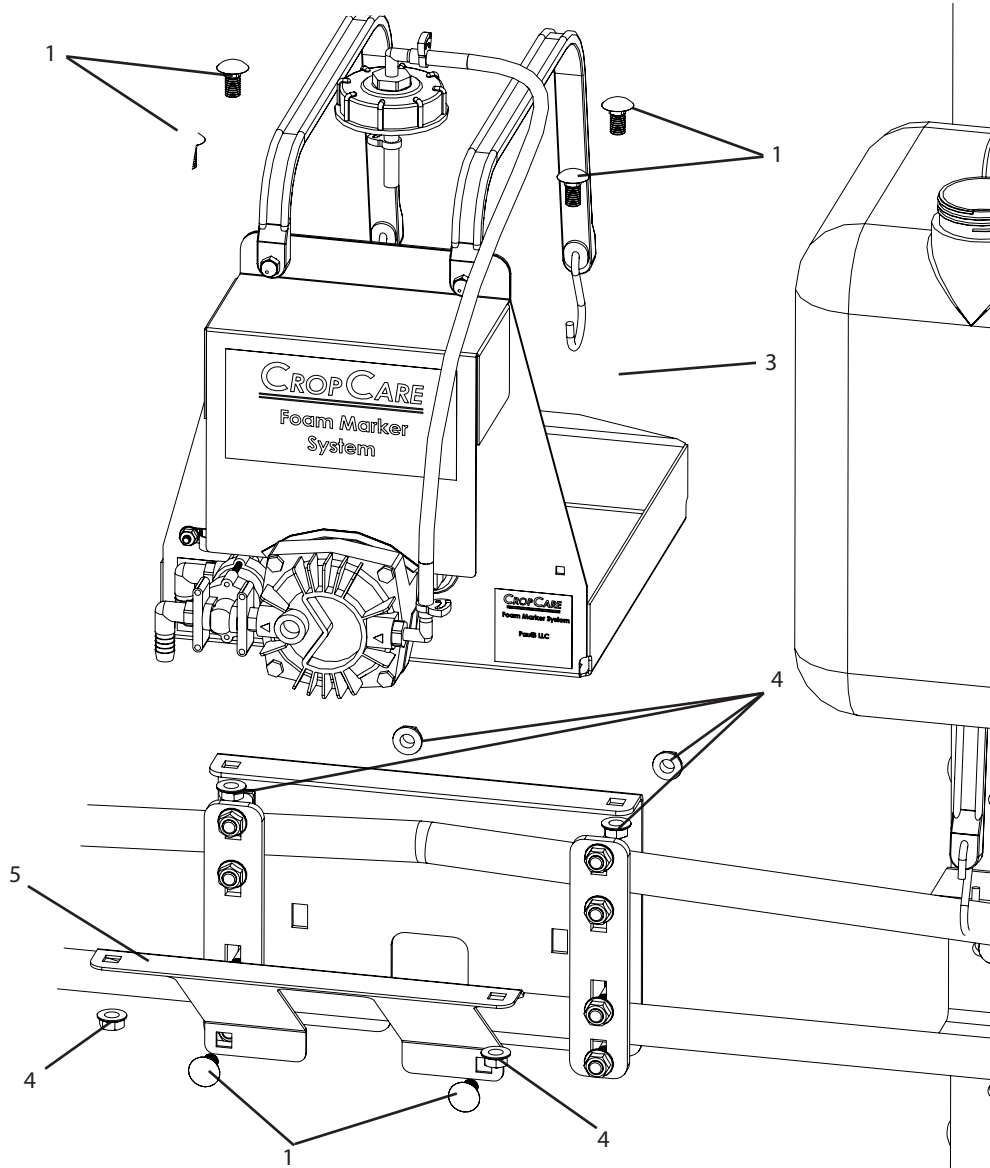
Ref#	Qty.	Part Number	Description
1	8	CB38*2G5	Bolt, Carriage 3/8-16 x 2" Gr 5
2	8	FN38	Nut, Flange 3/8-16
3	1	T554	Bracket, black, to mount foamer on boom
4	2	T554B	Clip, black, to mount foamer on boom

F1500-3PT-BK Assembly Instructions

With MX30 Boom

Step 2

- Unstrap the foam mixture tank to access the holes in the pan for mounting to the brackets.
- Bolt on the foam marker to the mounting brackets.
- Strap the tank back into place.
- Install wire loom (DC784) onto wiring harness.
- Route wiring harness to the front of the sprayer, see owner's manual included in the F1500A for wiring details.



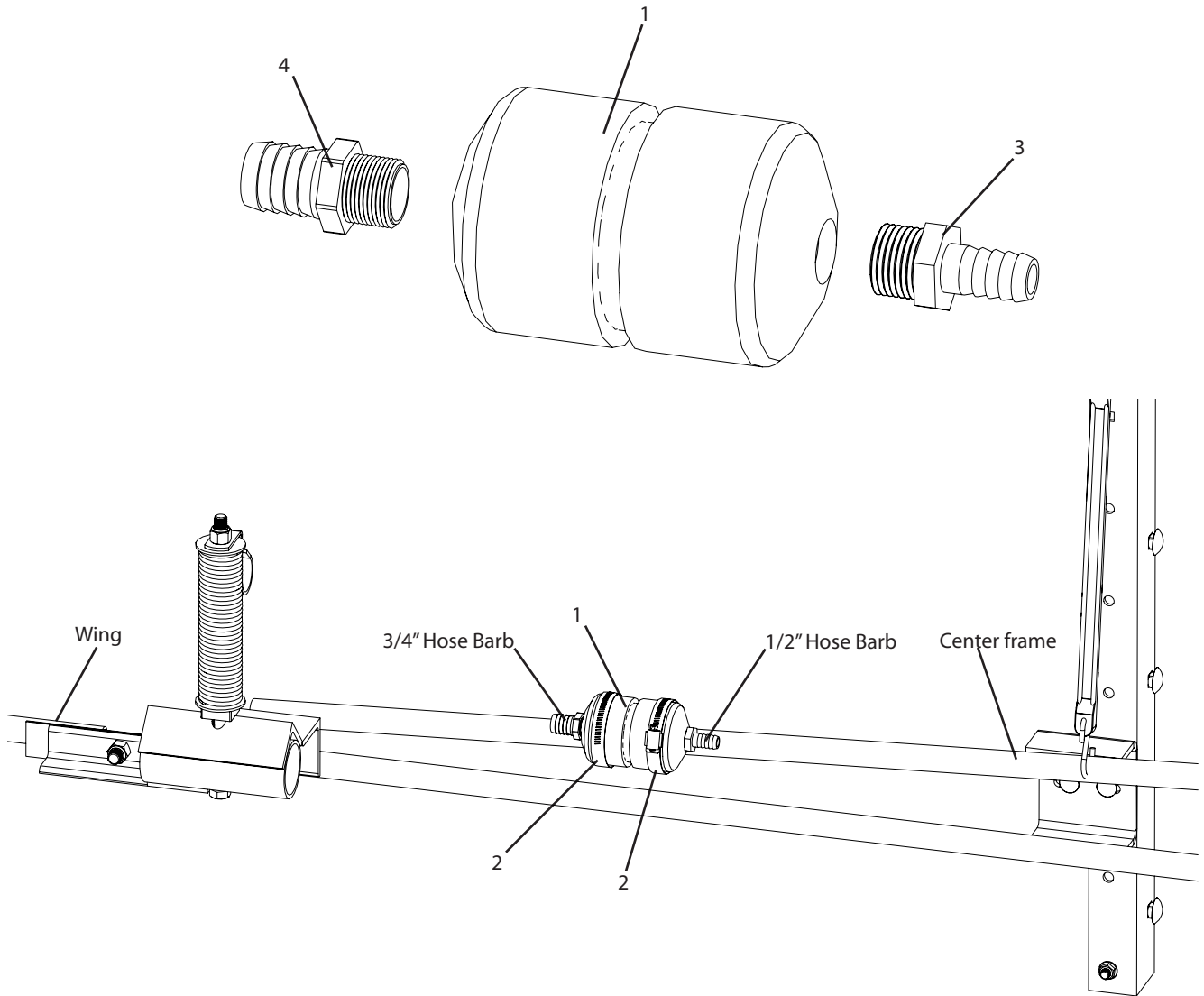
Ref#	Qty.	Part Number	Description
1	6	CB38*34G5	Bolt, Carriage 3/8-16 x 3/4" Gr 5
2	15 ft	DC784	Loom, Flex-Gard 3/8"
3	1	F1500A	Foam Marker, System 5 Gal CropCare
4	6	FN38	Nut, Flange 3/8-16
5	1	T554A	Brace, black, to mount foamer on boom

F1500-3PT-BK Assembly Instructions

With MX30 Boom

Step 3

- The elbow fittings on the mixing chambers need to be swapped to straight fittings. Swap the 3/4" Hose adapter elbow with the 3/4" Straight hose adapter (Item 4) and swap the 1/2" hose adapter elbow with the 1/2" Straight hose adapter (Item 3).
- Then mount the mixing chamber to the boom center frame, secure with hose clamps (Item 2)



Ref#	Qty.	Part Number	Description
1	2	F1504A*	Mixing chamber, F1500A, F1200A
2	4	6864052*	Hose Clamp, 2-1/2" - 4-1/2" SS
3	2	3A1212	Adapter, Hose 1/2" MPT x 1/2" HB
4	2	3A1234	Adapter, Hose 1/2" MPT x 3/4" HB

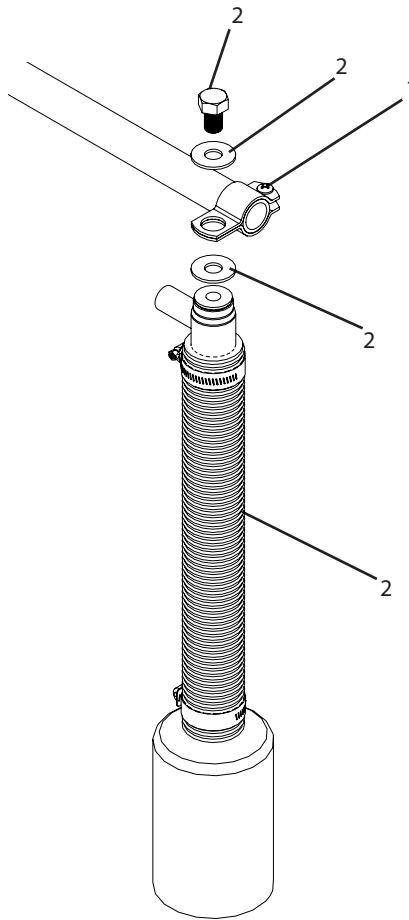
*Parts are in F1500A Foam Marker Kit

F1500-3PT-BK Assembly Instructions

With MX30 Boom

Step 4

- Install the foam marker drop tubes onto the wings. Loosen the bolt in the top of the drop tube (Part of Item 2).
- The drop tube uses a clamp (Item 1) to be fastened to the boom wing. Make sure that there is a washer (Part of Item 2) on the top and bottom sides of the clamp (Item 1).
- The drop tube should be fastened onto either the front or back side of the boom as needed to avoid nozzle spray or lap nozzle mounting.
- After positioning the clamp (Item 1) tighten the clamp screw and the drop tube bolt (Item 2)



Ref#	Qty.	Part Number	Description
1	2	AA11134	Clamp, Round 3/4" Pipe
2	2	F510A *	Drop Tube, Foamer 3/4" Hose Barb

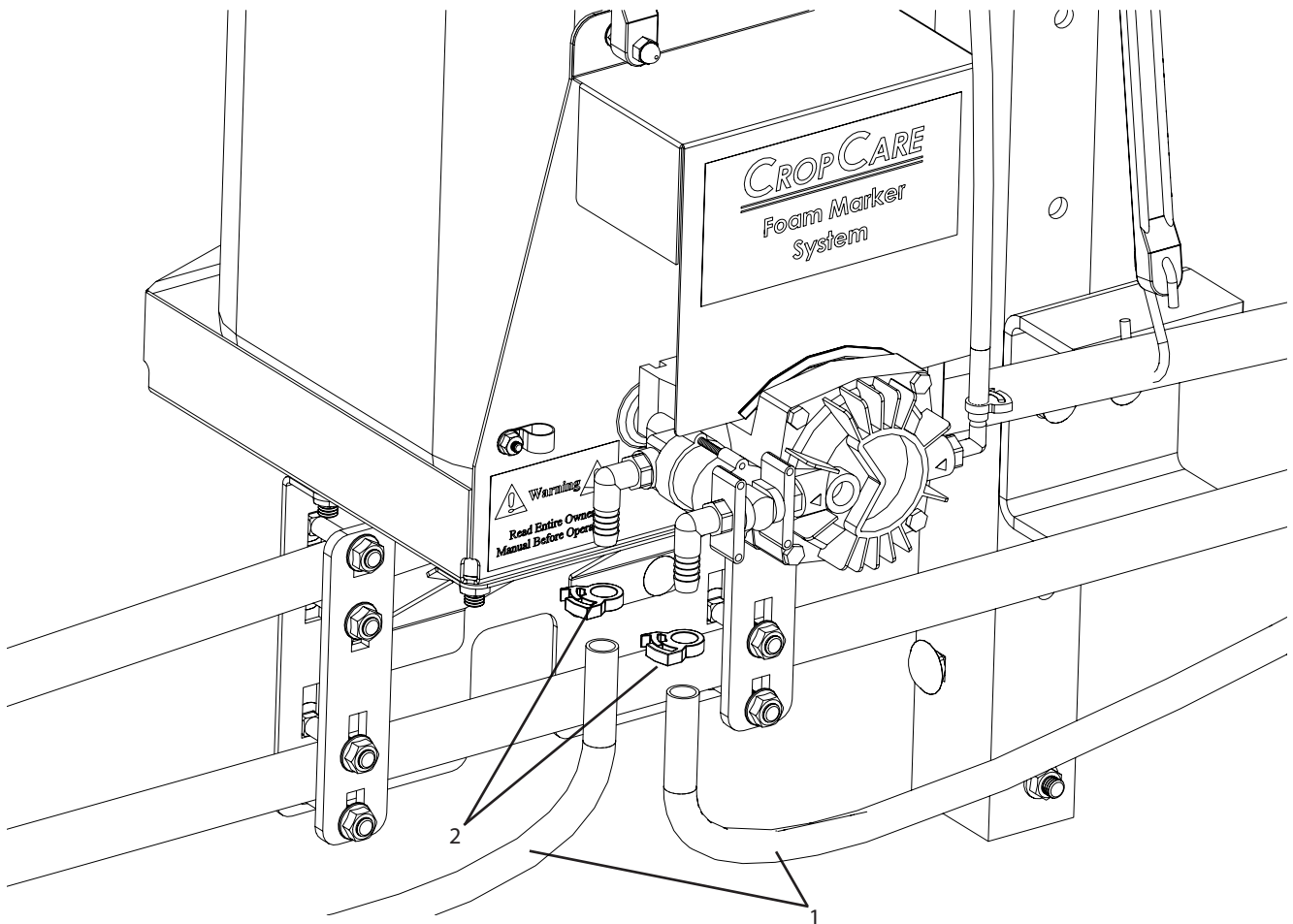
*Parts are in F1500A Foam Marker Kit

F1500-3PT-BK Assembly Instructions

With MX30 Boom

Step 5

- Attach the hoses to the foam marker output elbows.
- Route hoses along side of the boom plumbing feed lines to the mixing chambers.
- Zip tie hoses to the boom plumbing hoses.



Ref#	Qty.	Part Number	Description
1	-	1971*	Tubing, Vinyl 1/2" ID x 5/8" OD 30 PSI
2	2	HC067*	Clamp, Snap Grip 0.59" - 0.67" Size F

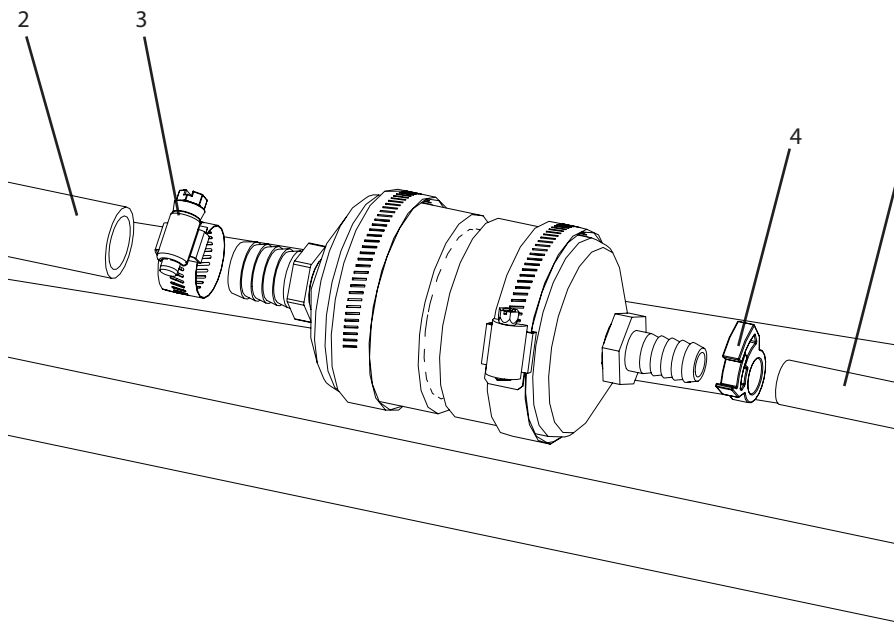
*Hoses are in F1500A Foam Marker Kit

F1500-3PT-BK Assembly Instructions

With MX240 & MX30 Boom

Step 6

- Attach the hoses to the mixing chambers.
- Zip tie hoses to boom plumbing and boom wings.



Ref#	Qty.	Part Number	Description
1	-	1971*	Tubing, Vinyl 1/2" ID x 5/8" OD 30 PSI
2	-	3003*	Hose, Suction 3/4" Clear PVC 100 PSI
3	2	6810052*	Hose Clamp, 9/16" - 1-1/16" SS
4	2	HC067*	Clamp, Snap Grip 0.59" - 0.67" Size F

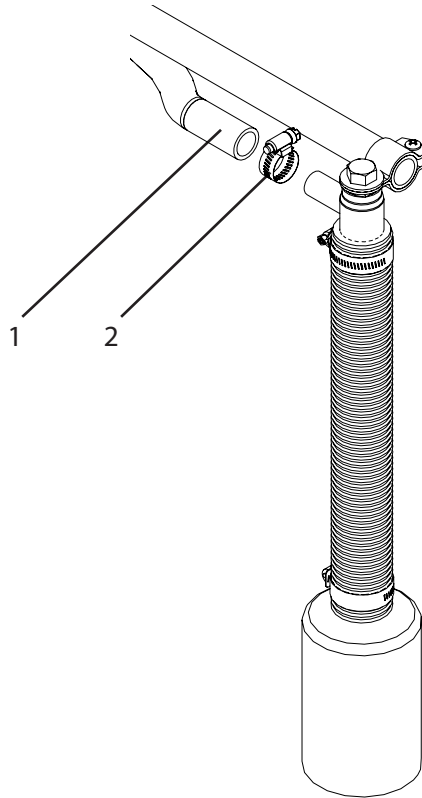
*Included in F1500A Foam Marker Kit

F1500-3PT-BK Assembly Instructions

With MX240 & MX30 Boom

Step 7

- Attach the hoses to the drop tubes.
- Zip tie hoses to boom plumbing and boom wings.



Ref#	Qty.	Part Number	Description
1	-	3003*	Hose, Suction 3/4" Clear PVC 100 PSI
2	2	6810052*	Hose Clamp, 9/16" - 1-1/16" SS

*Included in F1500A Foam Marker Kit