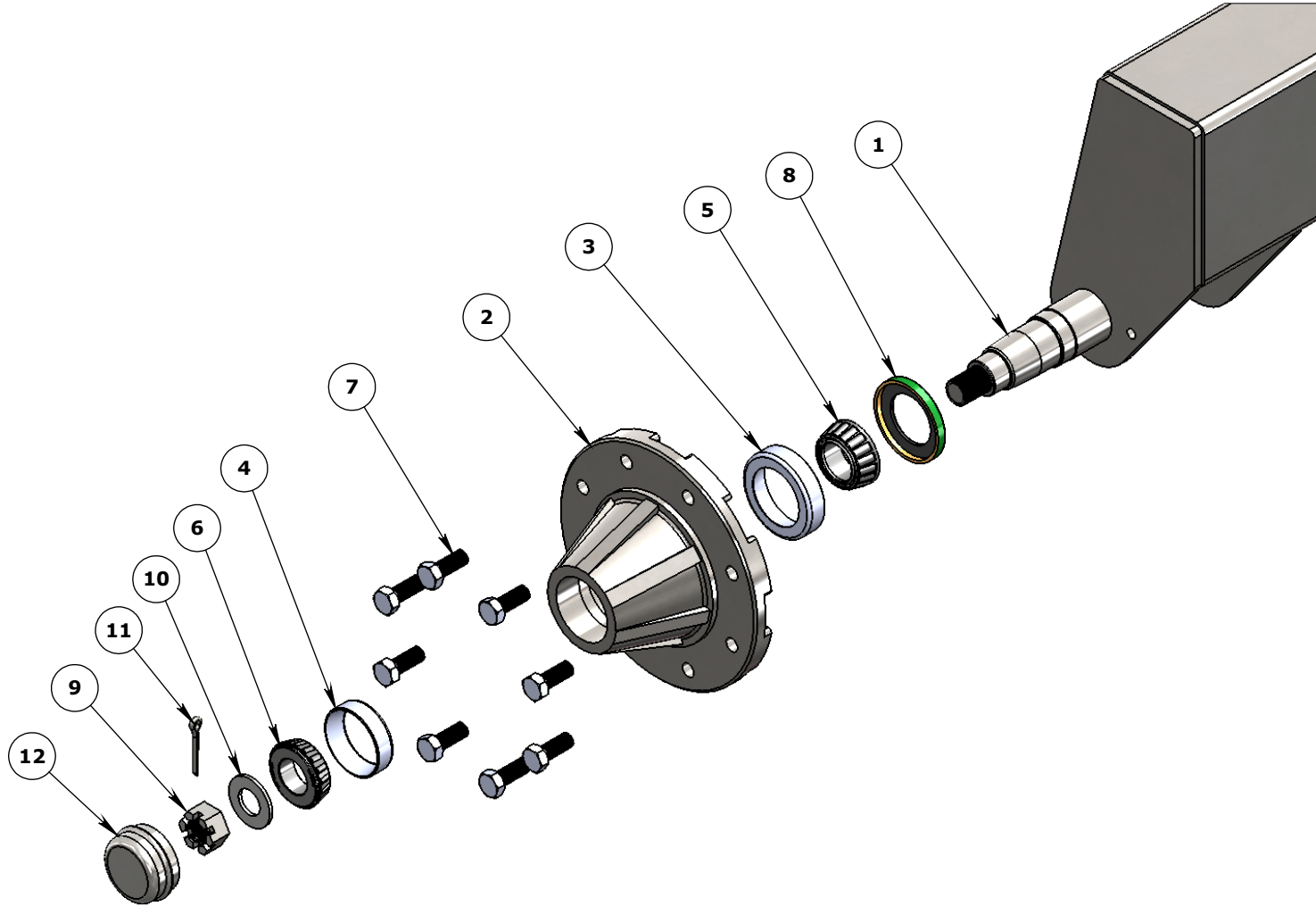


ITEM	QTY.	PART NUMBER	DESCRIPTION
1	1	---	Axle & spindle weldment, 28" wheels
2	1	HO5000	Hub cupped only (no bearings) 5000#
3	1	LM603011	Bearing Cup 3.0625" OD
4	1	LM48510	Bearing Cup 2.562" OD
5	1	LM603049	Tapered Bearing 1.7812" ID
6	1	LM48548	Tapered Bearing 1.375" ID
7	8	SP5001	Wheel bolt 5,000 lb capacity 9/16-18 x 1.125"
8	1	S5000	Seal 2.00" ID x 3.006" OD x .375" W
9	1	SP5003	Castle Nut 1"-14 Fine
10	1	SP5004	Sae washer 1"
11	1	CT316x134	Cotter pin 3/16" x 1 3/4"
12	1	D5000	Dust cap for 5000 lb hub 2.562 OD



PART#: SP5000

DESCRIPTION:		REV:
28" Wheel Spindle Breakdown		A
DRAWN: JA	DATE: 12/27/2012	SHEET NO:
SA (IN SQ)	WEIGHT 106.559 lbs	1