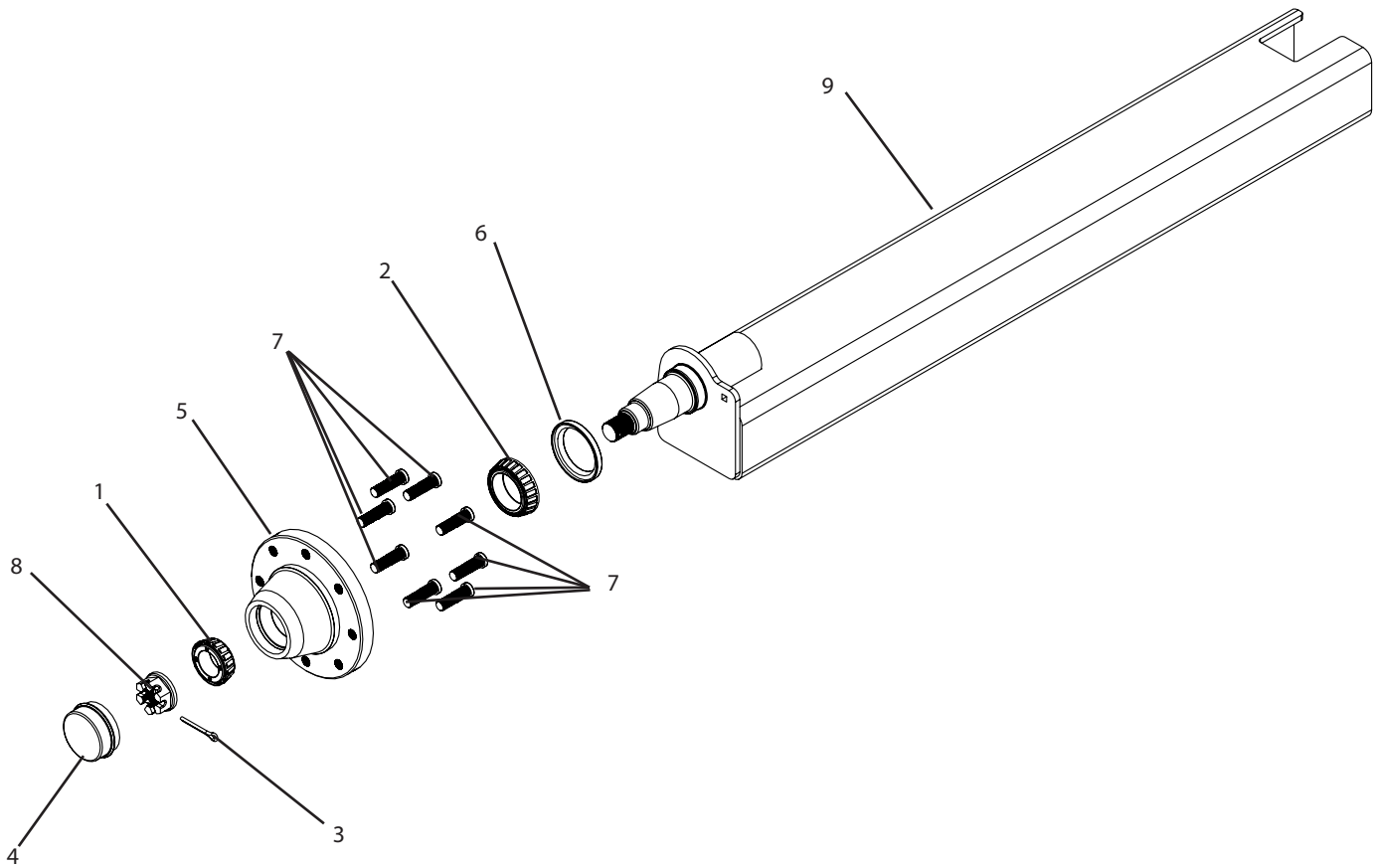


T930 Breakdown

Axle & Spindle Weldment, 10000 lb Spindle



Ref#	Qty.	Part Number	Description
1	1	25581	Bearing, Cone Tapered 1.75"
2	1	28995	Bearing, Cone Tapered 2.47"
3	1	CT14x212	Cotter Pin, 1/4" x 2-1/2"
4	1	D10000	Dust Cap, 10,000 LB Hub 3.355" OD
5	1	HO10000	Hub Cupped Only (no bearings) 10000# w/Inner Races
6	1	S10000	Seal, 2.937" x 3.973" x .5"
7	8	SP10001	Stud, 5/8-18 X 2-1/4" (10,000 LB Spindle)
8	1	SP10003	Nut, Flanged Castle 1-1/4"-12 Fine
9	1	T930-2	Axle & Spindle Weldment (10,000 LB Spindle)