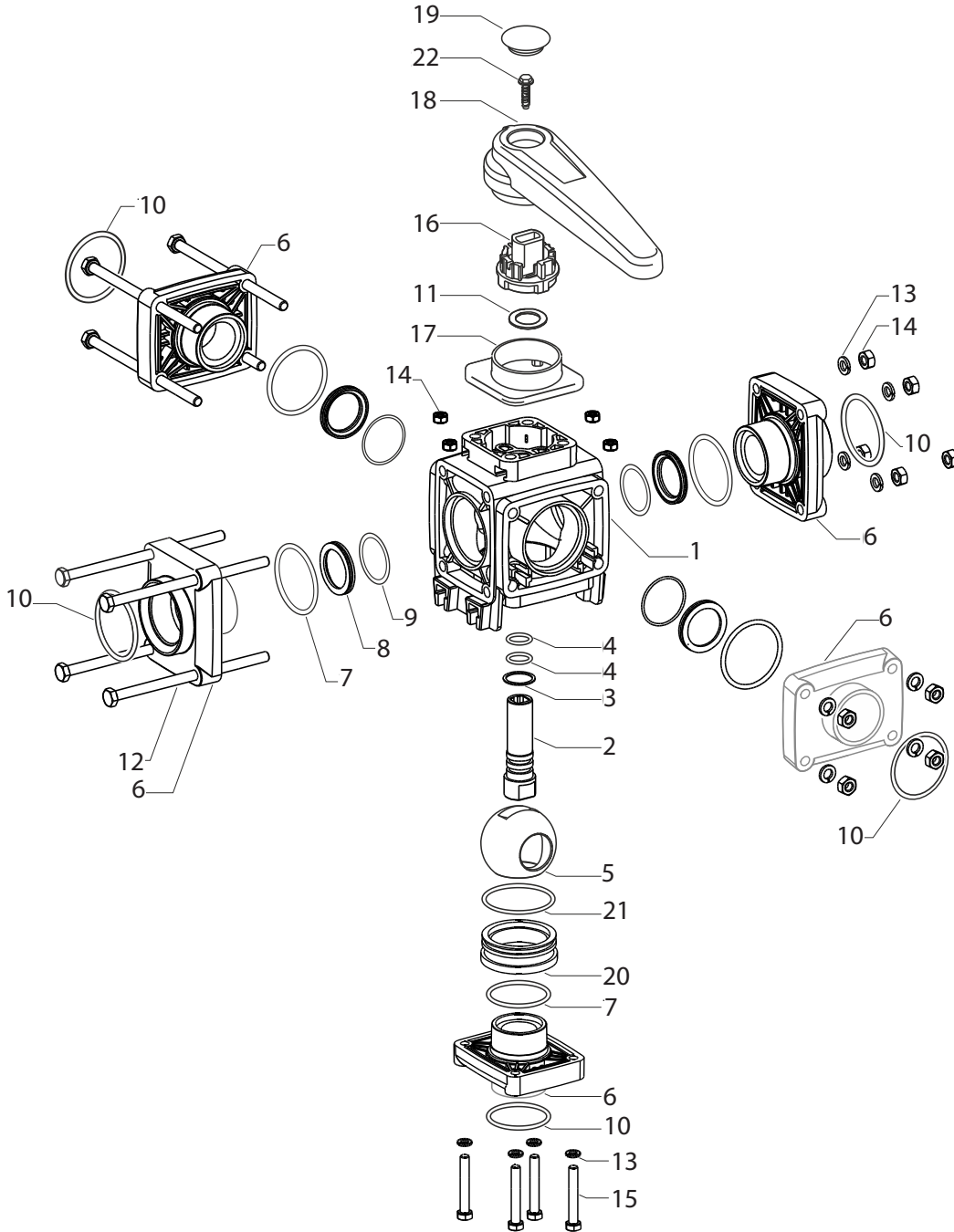


## 453055S66 Breakdown

### Valve, 5-Way T6 Connect 1-1/4"FP 180 PSI



## 453055S66 Breakdown

### Valve, 5-Way T6 Connect 1-1/4"FP 180 PSI

Ref#	Qty.	Part Number	Description
1	1	45305500-010	Valve body, 1 1/4" DN32 5W
2	1	45304700-060	4/5 Way pivot for valve DN50
3	1	45300400-080	Washer 21.3X25.5X1 PTFE
4	2	405000-060	Gasket (OR) 15.5X2.6
5	1	45305505-020	Ball D.65 DN32 Bottom L Hole
6	5	45305556-030	Adapter Fork Connection T6M 5W.PP
7	5	322000-040	Gasket (OR) 3.53X50.80 155 EPDM
8	4	45300505-070	Ball Holder Seat PTFE D65 DN32
9	4	G11055	O-ring 1.78X37.82 2150EPDM
10	5	G11023	O-ring 3,53X41,28 EPDM
11	1	45304700-080	4/5W Ring for Valve Pivot DN50
12	8	V1M259	Screw TE 8X150 UNI 5737
13	12	B222H0	Washer Grover D 8,2 INOX UNI1751
14	12	B10251	Nut M8X13X6.5 UNI5588 INOX
15	4	V1M25R	Screw TE 8X55 INOX UNI 5737
16	1	45304700-090	Reduction Disk Lever DN50 4/5W
17	1	45304700-100	4/5W Docked Lid for Valve DN50
18	1	45300600-050	Red Lever for Valve DN50
19	1	4542237-055	Lever Plug 2" Red
20	1	45300500-040	Coupl. Bottom Adapter Valve 1"1/4 5
21	1	G10073	O-ring 3,53X58,74 EPDM
22	1	V7B24F	Self-threaded screw 4x16