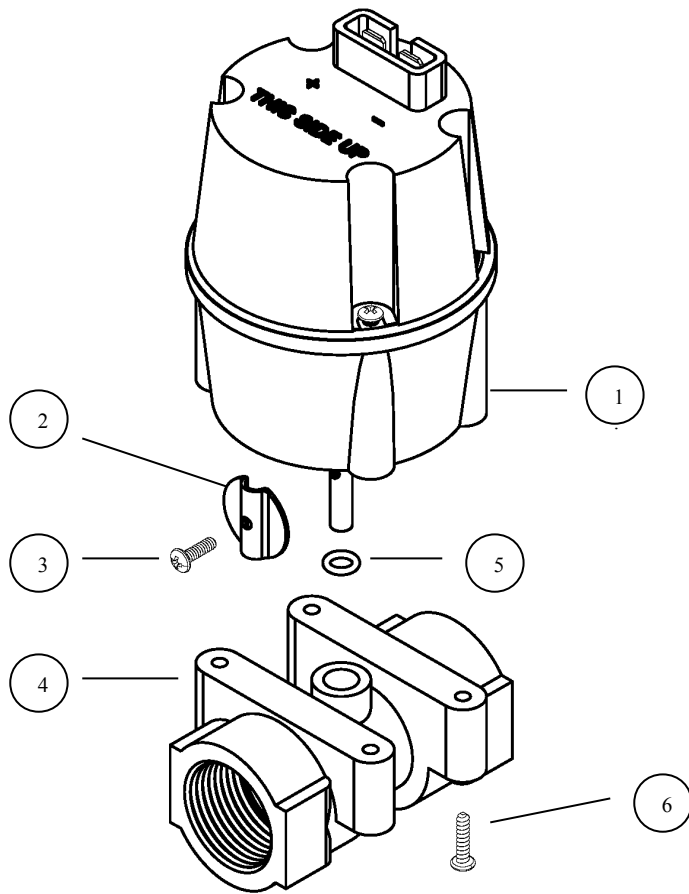


MODEL 1541A ELECTRIC REGULATOR

1" NPT - 12 Volt. - 1 RPM – 1" Orifice



Parts List

| Ref | Part No. | Description |
|-----|----------|------------------------------|
| 1 | 2677 | Motor Assembly |
| 2 | 1556 | Butterfly Valve |
| 3 | 5302 | Butterfly Screw, 4-40 x 5/16 |
| 4 | 1480 | Valve Body |
| 5 | 1169 | "O" Ring .008 Viton |
| 6 | 5301 | Screw 4 x 1/2 |