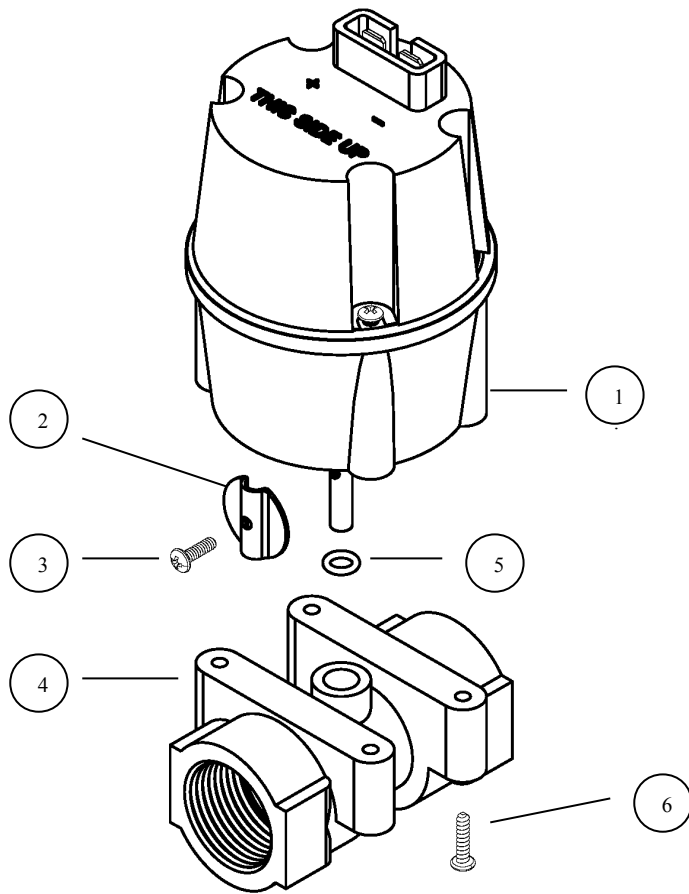


MODEL 1560A ELECTRIC REGULATOR

3/4" NPT - 12 Volt. - 1 RPM - 3/4" Orifice



Parts List

Ref	Part No.	Description
1	2676	Motor Assembly
2	1150	Butterfly Valve
3	5302	Butterfly Screw 4-40 x 5-16
4	1479	Valve Body
5	1169	"O" Ring .008 Viton
6	5301	Screw No. 4 x 1/2