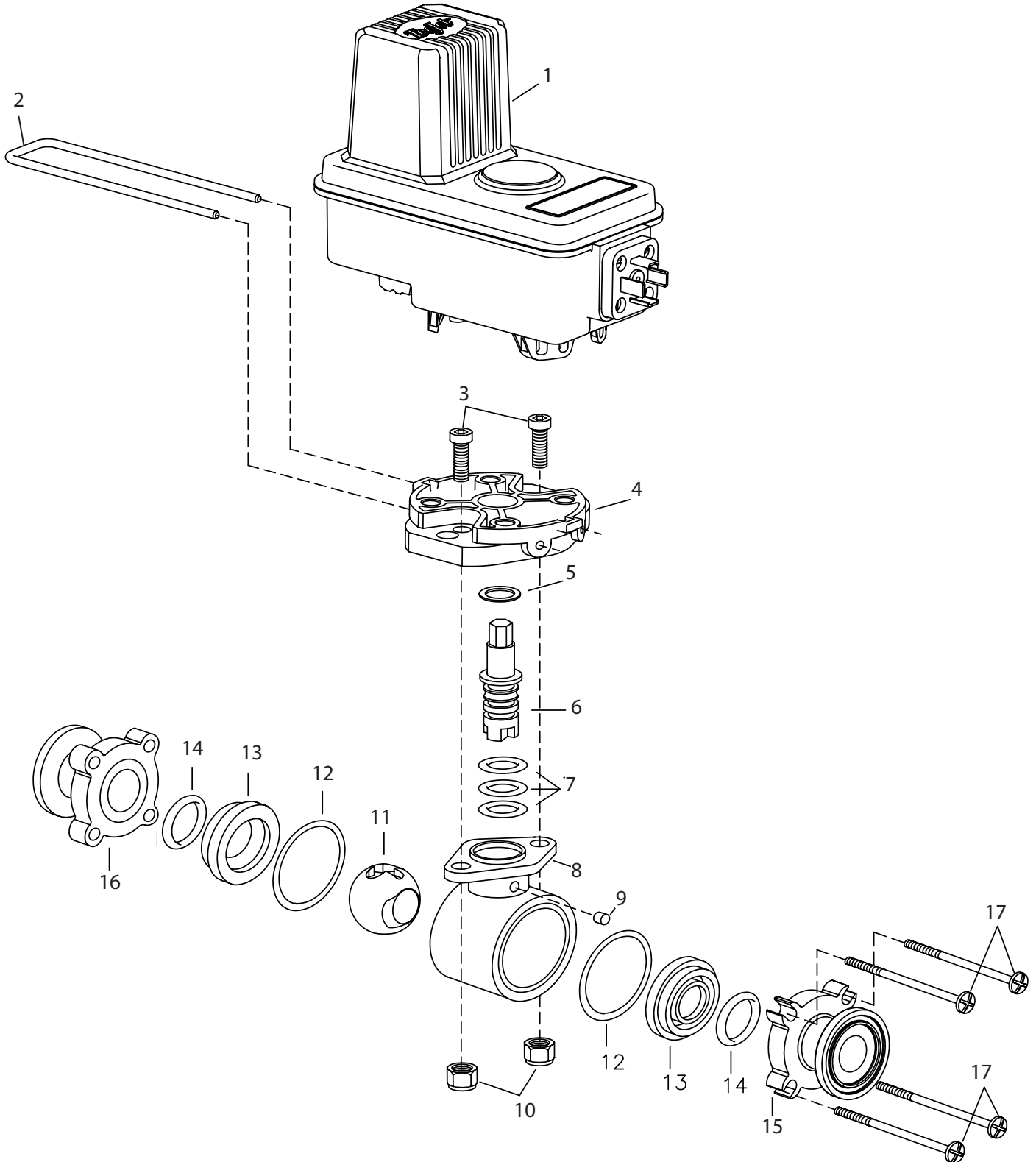


344BRL-2F-01D, 344BRL-2F-03D Breakdown

Valve, Regulating Ball 1" Flange, 6-18 Second Operation, DIN cable



344BRL-2F-01D, 344BRL-2F-03D Breakdown

Valve, Regulating Ball 1" Flange, 6-18 Second Operation, DIN cable

Ref#	Qty.	Part Number	Description
1	1	50516-01D **	Regulating motor, 1-rpm, (18 sec), DIN Connection
	1	50516-03D ***	Regulating motor, 3-rpm, (6 sec), DIN Connection
2	1	CP50517-SSPV	Retaining clip, 304 stainless
3	2	CP26197-78-SS	Socket head cap screw, 1/4-20 x 7/8" SS
4	1	CP50514-PP	Motor Adapter, Polypropolene (Black)
5	1	CP20125-TEF *	Thrust washer, Teflon
6	1	CP56613-SS	Stem, 303 SS (For Polypropolene Ball)
7	3	CP7717-M12X2.5-VI *	O-ring, Viton
8	1	CP20101-NYB	Body, Nylon (Black) (2-way)
9	1	CP20126-FELT *	Dust plug, felt
10	2	CP38435-14-SSNY	Elastic Locknut, 1/4-20, SS
11	1	CP22259-2-PP	RL Ball, Polypropolene (White) (BRL Valve)
12	2	CP20564-VI *	Gasket, Viton
13	2	CP20103-TEF *	Seal, Teflon
14	2	CP7717-2-213-VI *	O-ring, Viton
15	1	CP45253-NYB	End cap, nylon (Black), Flange
16	1	CP48265-NYB	End cap, nylon (Black), Flange, threaded
17	4	CP45252-2-34-SSPV	Screw, 1/4-12 x 2 3/4" Pan head, SS

* Parts are included in AB344AE-KIT (Kit, Repair 344 TeeJet Valve).

** Used in 344BRL-2F-01D

*** Used in 344BRL-2F-03D