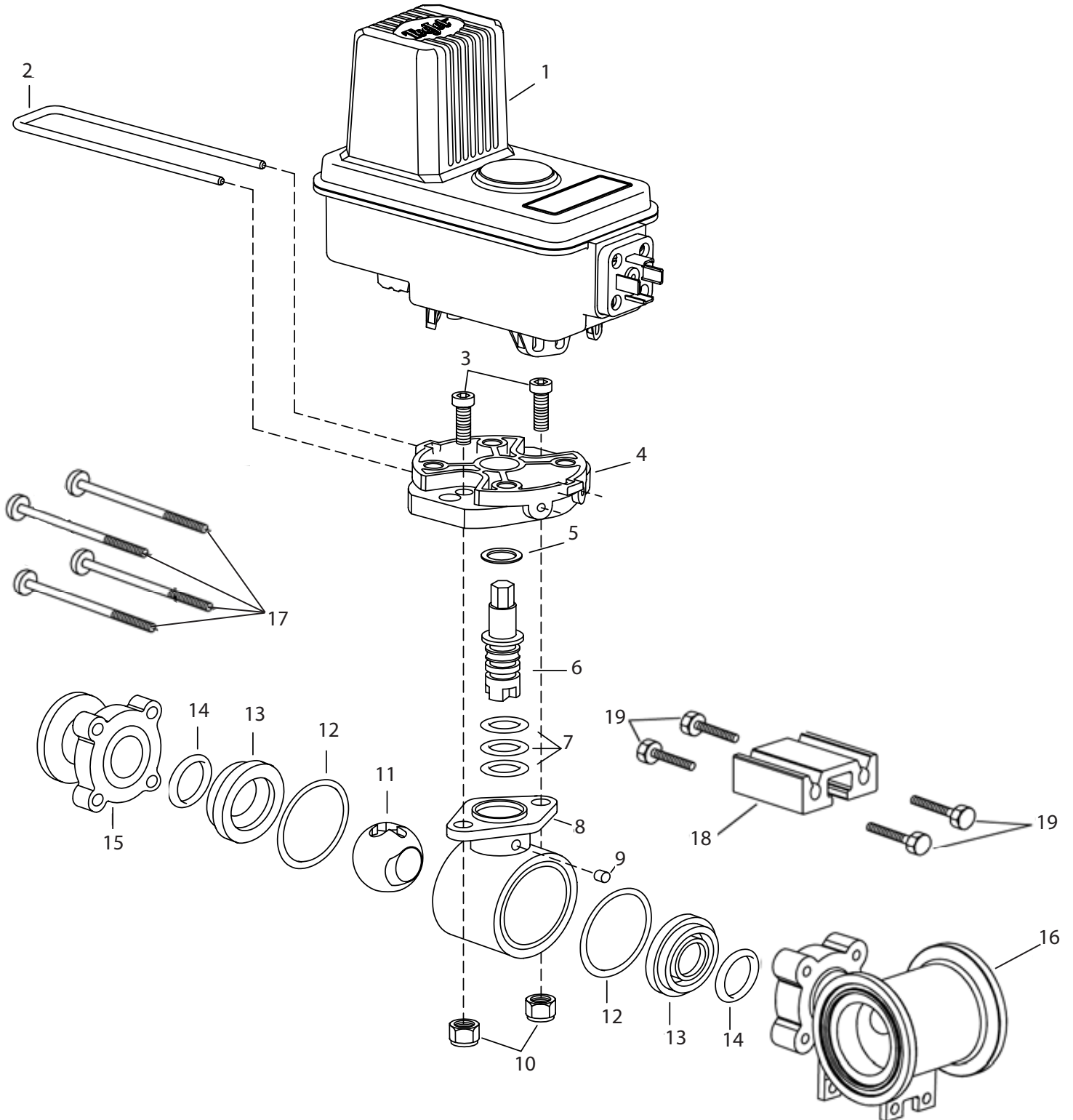


## 35-02099-T, 35-02099-T18 Breakdown

### Valve, Regulating Ball, 6-18 Second with 450 manifold and flange



## 35-02099-T, 35-02099-T18 Breakdown

### Valve, Regulating Ball, 6-18 Second with 450 manifold and flange

Ref #	Qty.	Part Numbers	Description
1	1	50516-03D **	Regulating motor, BRL, 3-rpm, (6 sec), DIN Connection
1	1	50516-01D ***	Regulating motor, BRL, 1 RPM (18 Sec) DIN Connector
2	1	CP50517-SSPV	Retaining clip, 304 stainless
3	2	CP26197-78-SS	Socket head cap screw, 1/4-20 x 7/8" SS
4	1	CP50514-PP	Motor Adapter, Polypropolene (Black)
5	1	CP20125-TEF *	Thrust washer, Teflon
6	1	CP56613-SS	Stem, 303 SS (For Polypropolene Ball)
7	3	CP7717-M12X2.5-VI *	O-ring, Viton
8	1	CP20101-NYB	Body, Nylon (Black) (2-way)
9	1	CP20126-FELT *	Dust plug, felt
10	2	CP38435-14-SSNY	Elastic Locknut, 1/4-20, SS
11	1	CP22259-2-PP	RL Ball, Polypropolene (White) (BRL Valve)
12	2	CP20564-VI *	Gasket, Viton
13	2	CP20103-TEF *	Seal, Teflon
14	2	CP7717-2-213-VI *	O-ring, Viton
15	1	CP45253-NYB	End cap, nylon (Black), Flange
16	1	CP55224-PP	#75 Narrow tee body, Polypropolene (Black)
17	4	CP45252-2-34-SSPV	Screw, 1/4-12 x 2 3/4" Pan head, SS
18	1	CP45216-AL	Mounting Rail, Alum.
19	4	CP45259-SS	Screw, M6 x 1 x 16MM Hex, SS

\* Parts are included in AB344AE-KIT (Kit, Repair 344 TeeJet Valve).

\*\* Used in 35-02099-T.

\*\*\* Used in 35-02099-T18.