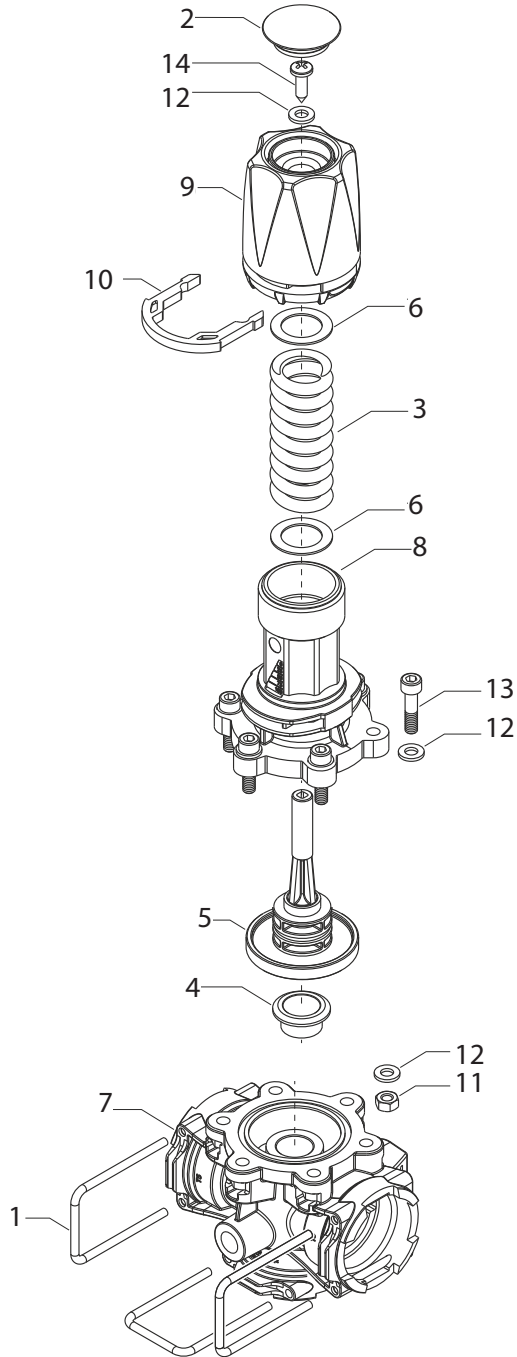


475552 Breakdown

Valve, Pressure Relief T5 QC 290 PSI



475552 Breakdown

Valve, Pressure Relief T5 QC 290 PSI

Ref#	Qty.	Part Number	Description
1	3	010005	Connector, Fork T5 QC
2	1	4542237-057	Lever plug, 2" green
3	1	465002-120	Pressure Spring Unit, 20 BAR
4	1	465005-012	Diaphragm Seat
5	1	465005-180	Kit, Repair Diaphragm Plunger
6	2	471502-135	Spacer D.20X30X1
7	1	475050-010	Valve, regulating pressure, T5
8	1	475500-020	Support valve, regulating pressure
9	1	475500-030	Pressure register knob, gray
10	1	475500-040	Fork, pressure regulating valve, red
11	6	B10241	Nut, M6X10X5
12	13	B202F0	Washer
13	6	V1C24K	Screw TCEI 6X25
14	1	V2B26G	Self Thread Screw 5.5X19