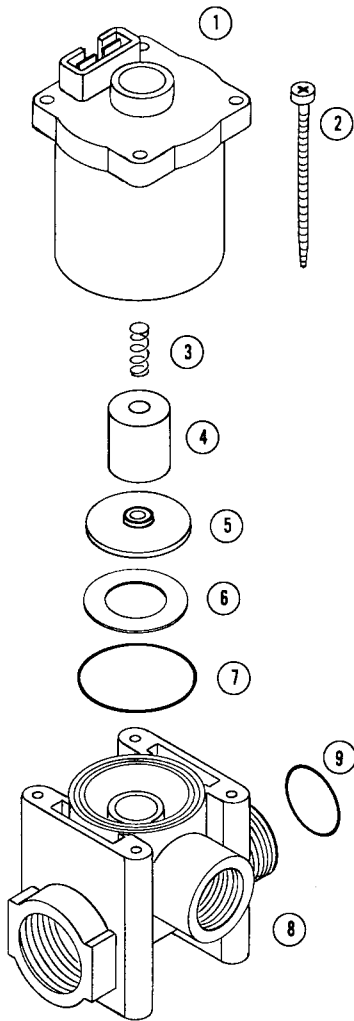


Model 2502 Electric Boom Valve

8 GPM 175 PSI 12 Volt

PARTS LIST



Ref.	Part No.	Description	No. Req.
1	2384	Coil.....	1
2		No. 8 x 2 1/2 Screw	4
3	*2315	Spring.....	1
4	2383	Plunger	1
5	*2307	Disc Valve Viton	1
6	*2363	Washer.....	1
7	*2314	"O" Ring, 028 Viton	1
8	2295	Valve Body	1
9	2166	"O" Ring, 018	1
	2352	Repair Kit. Consists of items marked with *.	

DISASSEMBLY

It is not necessary to take the valve out of the line to service it. The valve can be disassembled by removing the four No. 8 x 2 1/2 screws (2).

ASSEMBLY

Assemble the valve as shown in the illustration. Be sure the small seat on the disc valve (5) is in the up position. Do not over tighten the No. 8 x 2 1/2 screws.

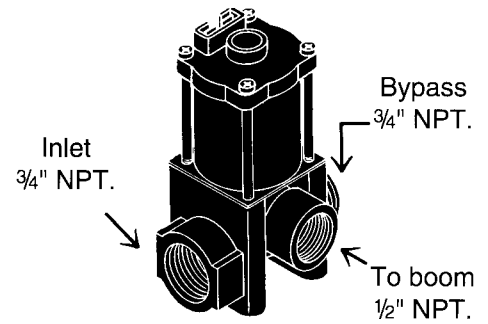
TEXAS INDUSTRIAL REMCOR, INC.

BOX 3704 • TEMPLE, TEXAS 76505 • (254) 982-4236

No. 2502 Solenoid Valve

SPECIFICATIONS

- Valve HousingGlass Filled Nylon
- Wetted Metal Parts430 Stainless Steel
- Seal and "O" RingsViton
- CoilEpoxy Encapsulated
- Terminals½" Male Tabs
- Voltage12 Volt. DC.
- Current1.7 AMP at 12 Volt.
- Operating Pressure175 PSI Maximum
- Flow0-8 G.P.M. 3.6 cv.
- Temperature120°F Maximum

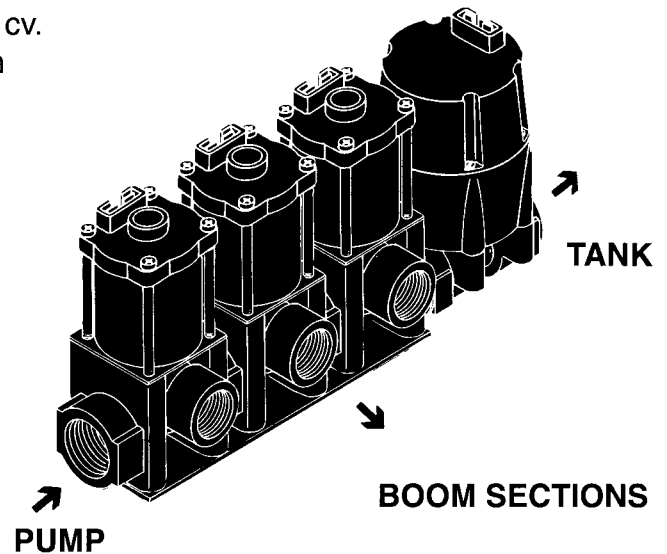


INSTALLATION

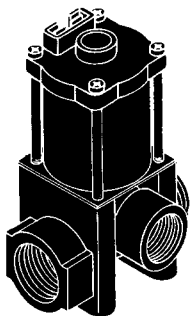
The valves can be plumbed as shown in the illustration. It is advisable to install a strainer ahead of the valves. Note the arrows for flow direction.

The coil will radiate heat; therefore, it should not be enclosed. If the coil fails, the valve can be opened by removing the plunger(4).

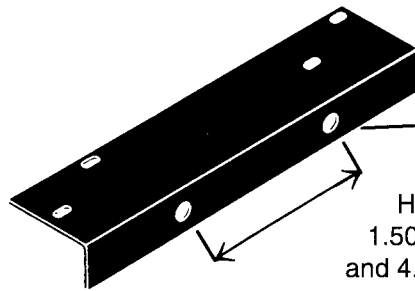
After usage, always flush and drain valves.



Mounting



↑ 4 Mounting holes
.17 Dia. x 1.00 Deep
Use No. 10 x ¾" long screws



1 1/32 DIA.
Hole Spacing
1.50" for 2148 bracket
and 4.00" for 2149 and 2151 brackets

MOUNTING BRACKETS ARE NOT INCLUDED WITH VALVES. THEY MAY BE ORDERED FROM FOLLOWING AS DESIRED:

- 2148 Mounting Bracket for 2502-1 single valve
- 2149 Mounting Bracket for 2502-2 double valves
- 2151 Mounting Bracket for 2502-3 triple valves

Trouble Shooting

Valve fails to open:

1. Check if the coil (1) is burned out.
2. Remove the coil (1) and check if the plunger (4) is stuck.
3. Check the control box and wiring harness for broken wires, bad switches and blown fuses.

Valve fails to shut off:

1. Remove the coil (1) and check if the plunger (4) is stuck.
2. Check if the spring (3) is broken.
3. Check for proper electrical connections.