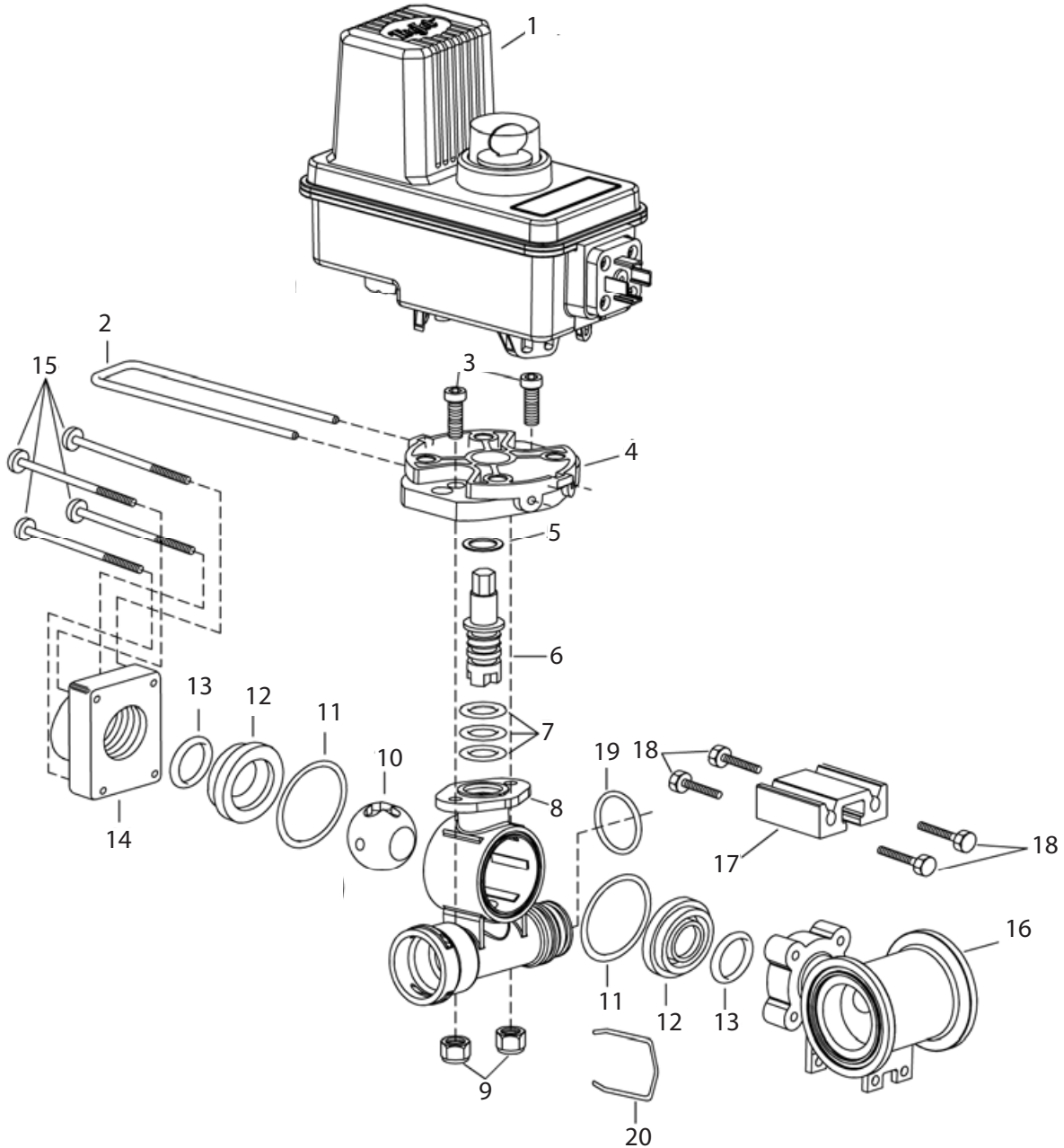


## 451BEC-3FBQ-D Breakdown

Valve, Flowback #75 Flange Inlets, 45529 QC Boom & Flowback Outlets DIN Connection



## 451BEC-3FBQ-D Breakdown

### Valve, Flowback #75 Flange Inlets, 45529 QC Boom & Flowback Outlets DIN Connection

Ref#	Qty.	Part Number	Description
1	1	50515-22DP	Motor, BEC, 22 RPM, DIN Connector
2	1	CP50517-SSPV	Retaining clip, 304 stainless
3	2	CP26197-78-SS	Socket head cap screw, 1/4-20 x 7/8" SS
4	1	CP50514-PP	Motor Adapter, Polypropolene (Black)
5	1	CP20125-TEF *	Thrust washer, Teflon
6	1	CP56613-SS	Stem, 304 SS (For Polypropolene Ball)
7	3	CP7717-M12X2.5-VI *	O-ring, Viton
8	1	CP55223-NYB	Flow back body, nylon (Black)
9	2	CP38435-14-SSNY	Elastic Locknut, 1/4-20, SS
10	1	CP20106-2-PP	Flow back ball, Polypropolene (White)
11	2	CP20564-VI *	Gasket, Viton
12	2	CP20103-TEF *	Seal, Teflon
13	2	CP7717-2-213-VI *	O-ring, Viton
14	1	CP45514-NYB	End cap, nylon (Black), Quick Connect
15	4	CP45252-2-34-SSPV	Screw, 1/4-12 x 2 3/4" Pan head, SS
16	1	CP55224-PP	#75 Narrow tee body, Polypropolene (Black)
17	1	CP45216-AL	Mounting Rail, Alum.
18	4	CP45259-SS	Screw, M6 x 1 x 16MM Hex, SS
19	1	CP7717-3-912-VI	O-ring, Viton
20	1	CP37166-1-302SS	Quick connect retaining clip, 302 SS

\*Parts are included in AB344AE-KIT (Kit, Repair 344 TeeJet Valve).