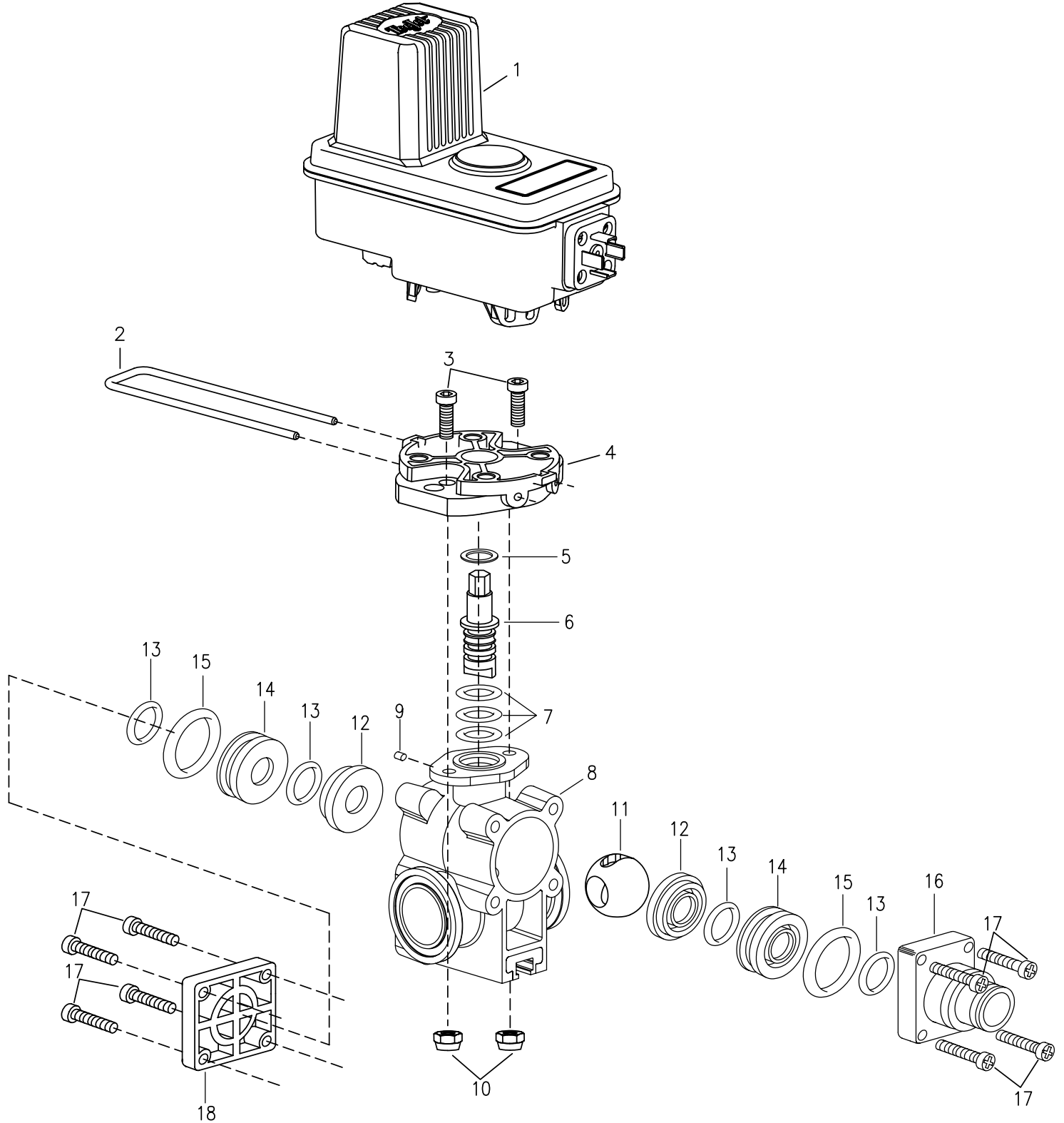


461BEC-2Q-D Breakdown

Valve, Manifold Ball Valve (1 Section)



461BEC-2Q-D Breakdown

Valve, Manifold Ball Valve (1 Section)

Ref#	Qty.	Part Number	Description
1	1	50515-22DP	Motor, BEC, 22 RPM, DIN Connector
2	1	CP50517-SSPV	Retaining clip, 304 stainless
3	2	CP26197-78-SS	Socket head cap screw, 1/4-20 x 7/8" SS
4	1	CP50514-PP	Motor Adapter, Polypropolene (Black)
5	1	CP20125-TEF *	Thrust washer, Teflon
6	1	CP56614-SS	Stem, 303 SS
7	3	CP7717-M12X2.5-VI *	O-ring, Viton
8	1	CP45503-NYB	Body, Nylon (Includes mounting rail)
9	1	CP20126-FELT *	Dust plug, felt
10	2	CP38435-14-SSNY	Elastic Locknut, 1/4-20, SS
11	1	CP45510-1-SS	Ball, 303 Stainless
12	2	CP20103-TEF *	Seal, Teflon
13	4	CP7717-2-213-VI *	O-ring, Viton
14	2	CP45502-NYB	Ball seal spacer, nylon (Black)
15	2	CP7717-2-322-VI *	O-ring, Viton
16	1	CP45514-NYB	End cap, nylon (Black), Quick Connect
17	8	CP45517-1-18-SS	Pan head screw, SS
18	1	CP45518-NYB	Rear cover, nylon (Black)

* Parts are included in AB460B-KIT (Kit, Repair 460B TeeJet Valve).