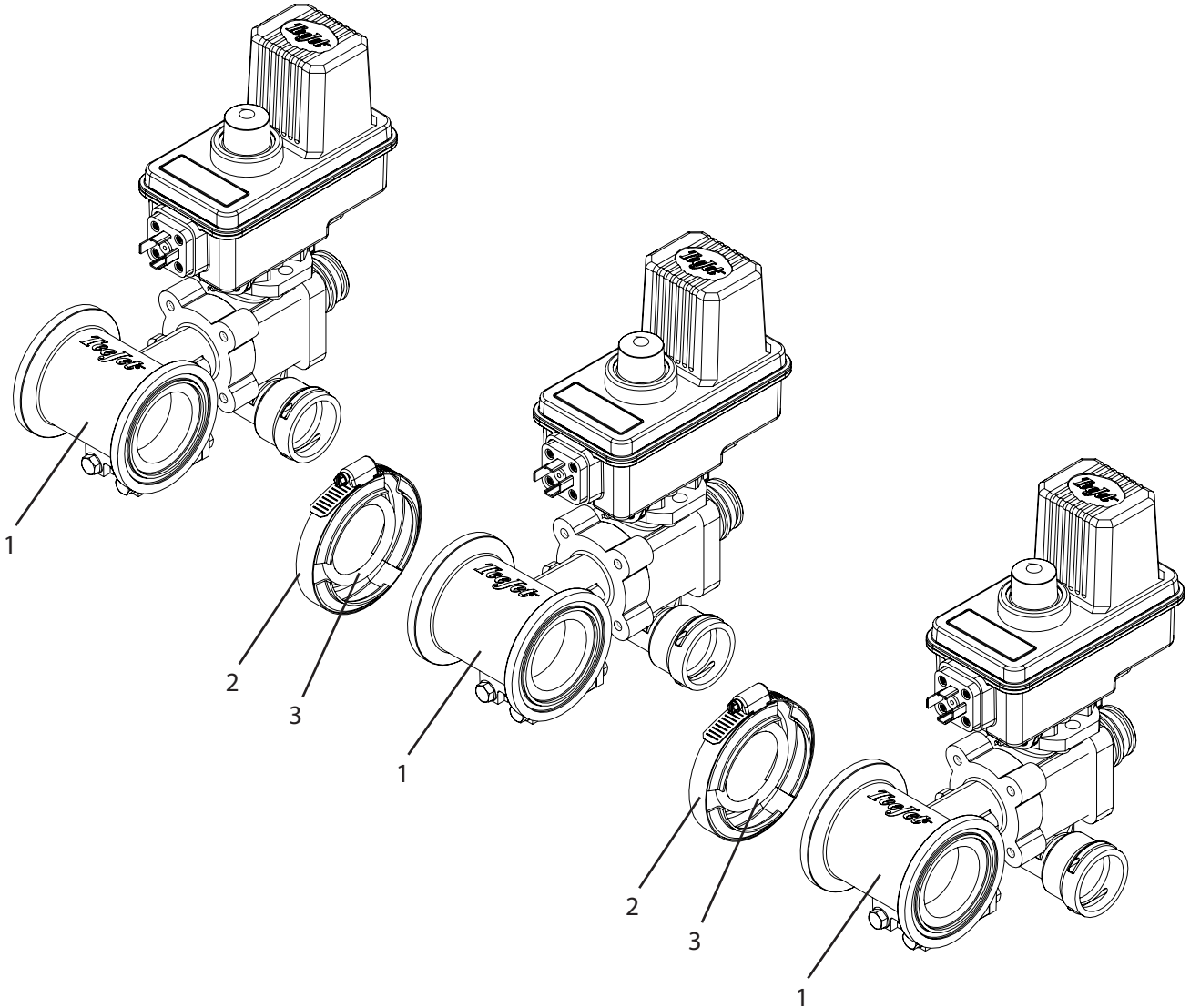


453, 455, 457BEC-3FBQ-D Breakdown

Manifold, 3, 5, & 7-Valve Flowback #75 flange inlets, 45529 QC for boom & flowback outlets, DIN connection



Ref#	Qty. 3 Sections	Qty. 5 Sections	Qty. 7 Sections	Part Number	Description
1	3	5	7	451BEC-3FBQ-D *	Valve, Flowback #75 Flange Inlets
2	2	4	6	55245-75	Clamp, #75 Series & O-Ring Kit SS
3	2	4	6	CP7717-2-229-VI **	O-ring, Viton For 75 Series Flange

* This part has a breakdown for component parts.

** O-ring included with clamp.