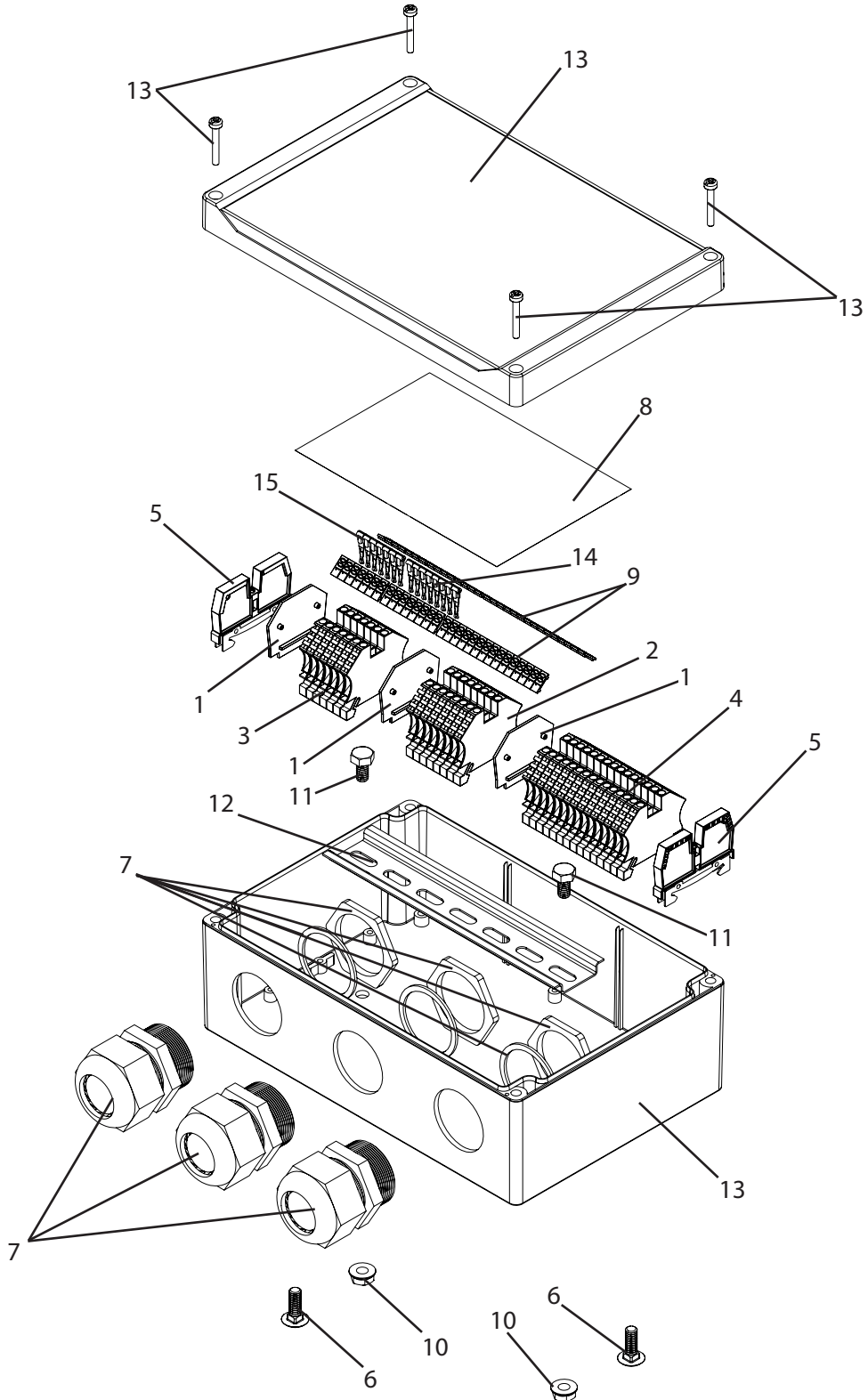


T872 Breakdown

Electrical Box, CTR2 Controls



T872 Breakdown

Electrical Box, CTR2 Controls

Ref#	Qty.	Part Number	Description
1	3	43010	Plate, End Euro 2,5/35
2	8	43406BK	Terminal, Feed Thru Euro 2,5/35 Black
3	7	43406RD	Terminal, Feed Thru Euro 2,5/35 Red
4	15	43406WT	Terminal, Feed Thru Euro 2,5/35 White
5	2	43442	Bracket, End Euro 2,5/35
6	2	CB14*34	Bolt, Carriage 1/4-20 x 3/4" Gr 2
7	3	DC2659	Strain Relief, Cord 5/8" - 1" Non-Metallic Grip
8	1	DE119	Decal, Junction Box
9	100	DN-LA100	Tag, Marking (1-100) 5x12mm for DN-T12-A series (1-60 used)
10	4	FN14	Nut, Flange 1/4-20
11	2	H5C14*12	Bolt, Hex 1/4-20 x 1/2" Gr 5
12	1	T872-1	Junction box, DIN rail
13	1	T872-2	Junction box, machined box
14	1	T872-4	Junction box, 8-pin jumper
15	1	T872-5	Junction box, 7-pin jumper