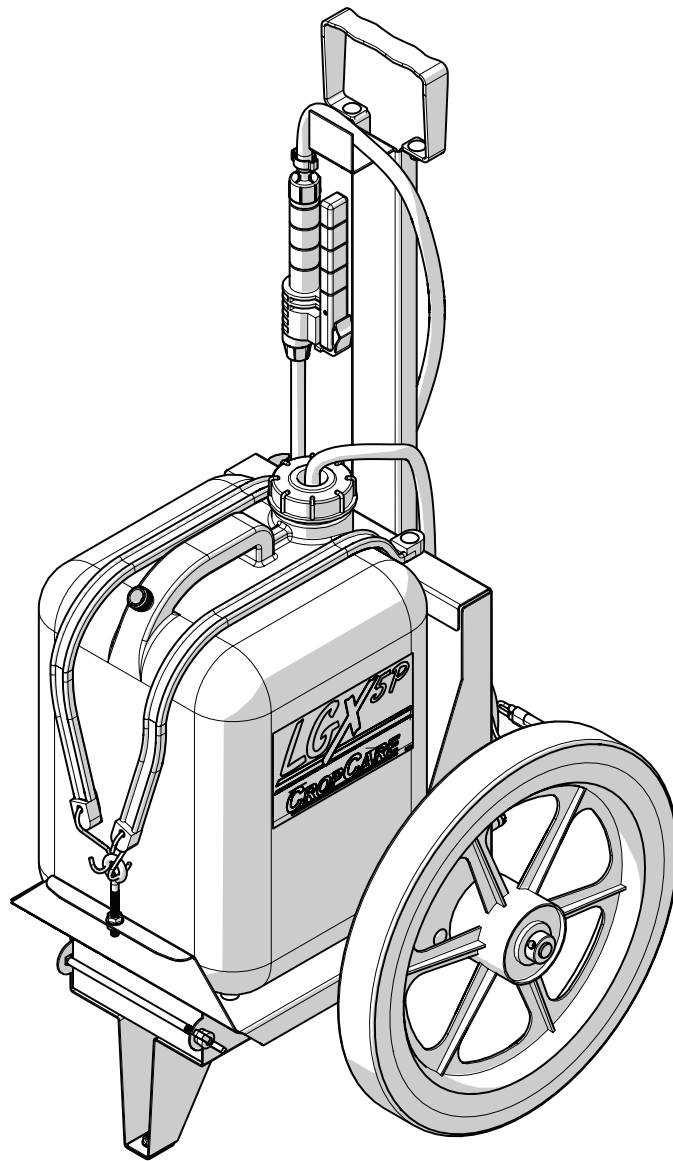


CROPCARE
Equipment Built For You

Assembly Manual

LGX5P Sprayer



PBZ, LLC | 295 Wood Corner Rd | Lititz PA 17543
www.CropCareEquipment.com | (717) 738-7365
A Paul B Zimmerman Inc. Company

Form: LGX5PAM_REV-A
Rev Date 05/14

Assembly Instructions

Thank you for purchasing this CropCare® product. Before you begin assembly, please thoroughly review all assembly instructions on page 3-5. Also, review the parts list to ensure that the boxes contain all of the necessary components (figure 1, below).

LGX5P Box Contents

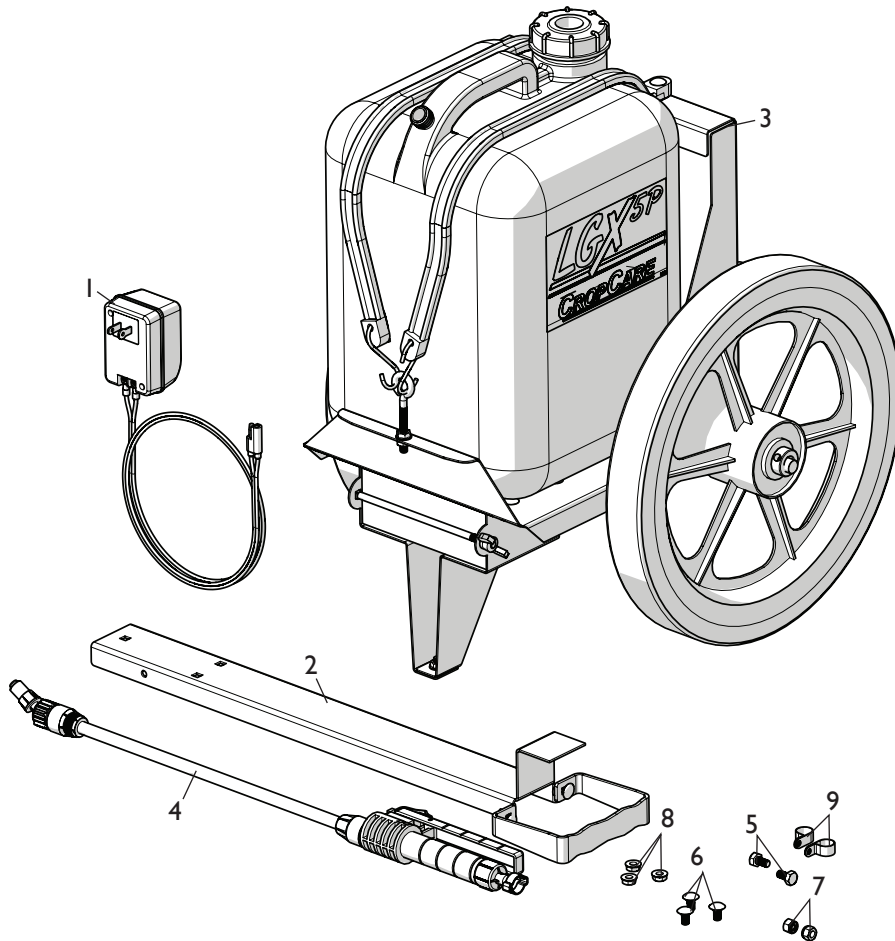


Figure 1: LGX5P box contents

Ref #	Qty.	Part Number	Description
1	1	L009	Battery charger
2	1	-	Handle, Handle mount and hose holder assembly
3	1	-	Partially assembled LGX5P base
4	1	5080015PP406	TriggerJet spray gun, 15" poly extension, 3/8" HB inlet, X18 tip
5	2	MR1024*12	Machine screw, 10-24 x 1/2", combo drive
6	3	CB14*12	Carriage bolt, 1/4-20 x 1/2", grade 2
7	2	NNC1024	Nylon lock nut, 10-24
8	3	FN14	Flange nut, 1/4-20
9	2	DC2406	Loom clamp, 3/8", nylon

Assembly Instructions

Assembly

1. Unhook the bungee strap from the eye bolt and remove the tank from the LGX5P sprayer frame (Figure 1).
2. Use three carriage bolts, 1/4-20 x 1/2", grade 5 (a), and three 1/4" flange nuts (b) for attaching the handle mount and hose holder (c) to the LGX5P base (d) as seen in (Figure 2).
3. After the handle mount has been installed place the five gallon tank back onto the sprayer frame and secure to the frame by reattaching the bungee straps to the eye bolt. (Figure 3)
4. To install the loom clamps (e Figure 2) Route hoses through the loom clamps (e) before fastening the loom clamps to the handle mount (c) (Figures 2 & 4). Mount using two MRI024*12 (f) and two NNC1024 (g).
5. Insert filter and hose into tank. Make sure to push enough hose through the tank lid so the filter reaches the bottom of the tank. Then thread the tank lid onto the tank until snug. (Figure 4)
6. Attach the spray gun to the frame using the mounting clips. (Figure 4)

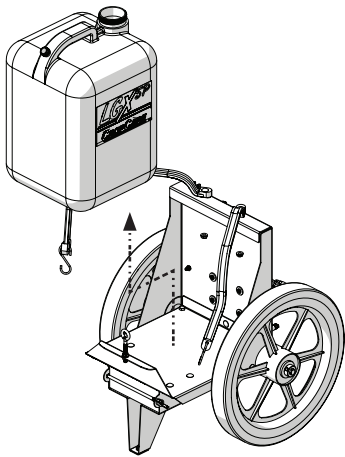


Figure 1: Removing the tank

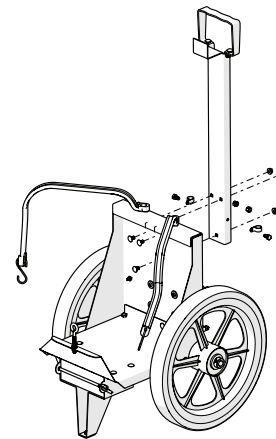


Figure 2: Installing handle mount and handle

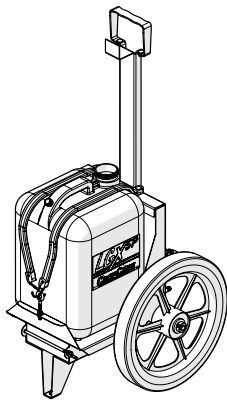


Figure 3: Reattach 5 gallon tank

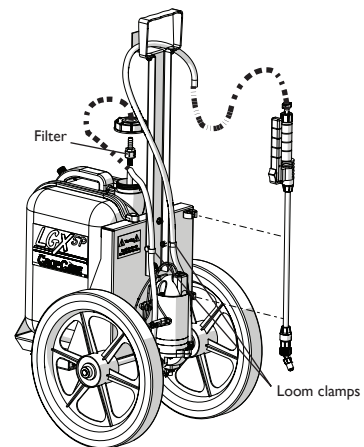
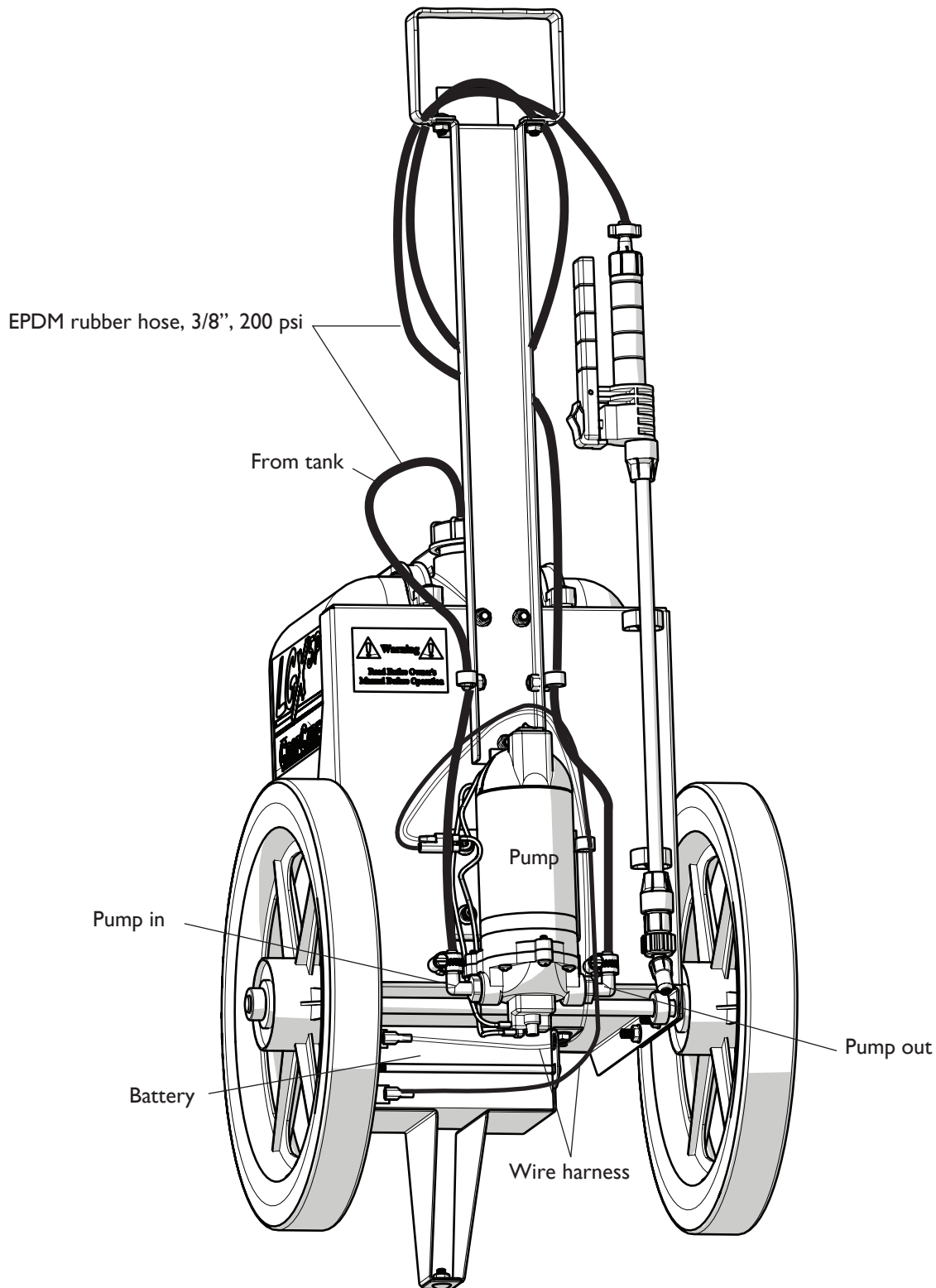


Figure 4: Installing 5080015PP406X26 spray gun, filter and tank lid

Assembly Instructions

Hose Routing and Wire Harness

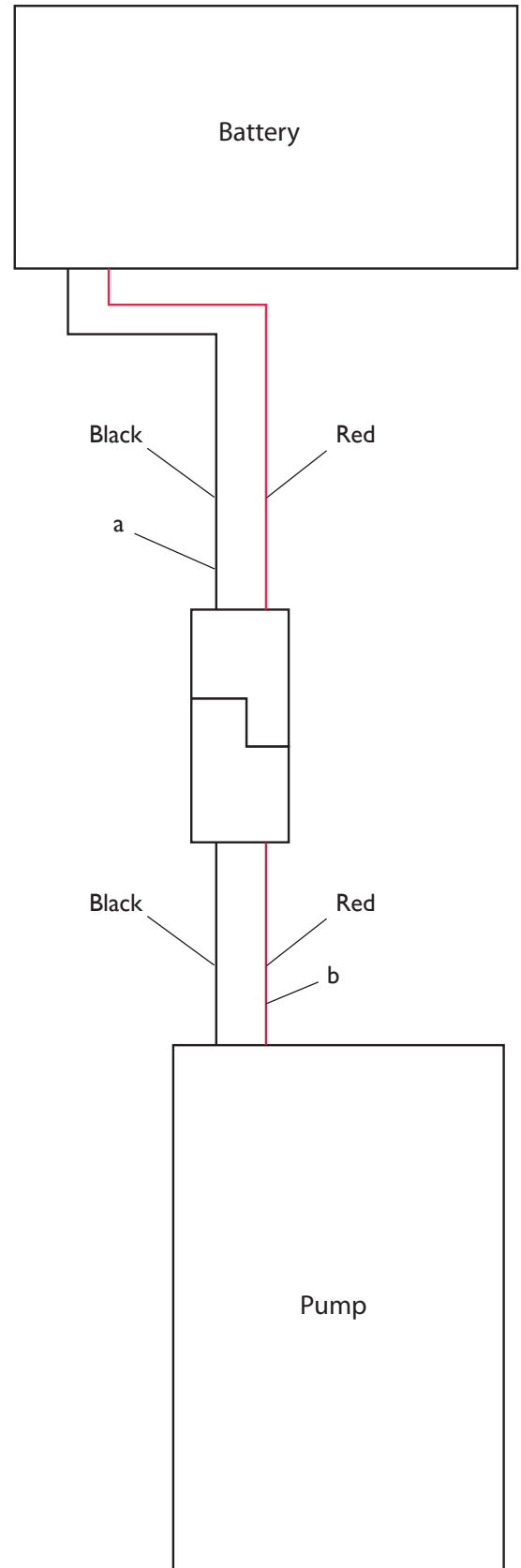


Assembly Instructions

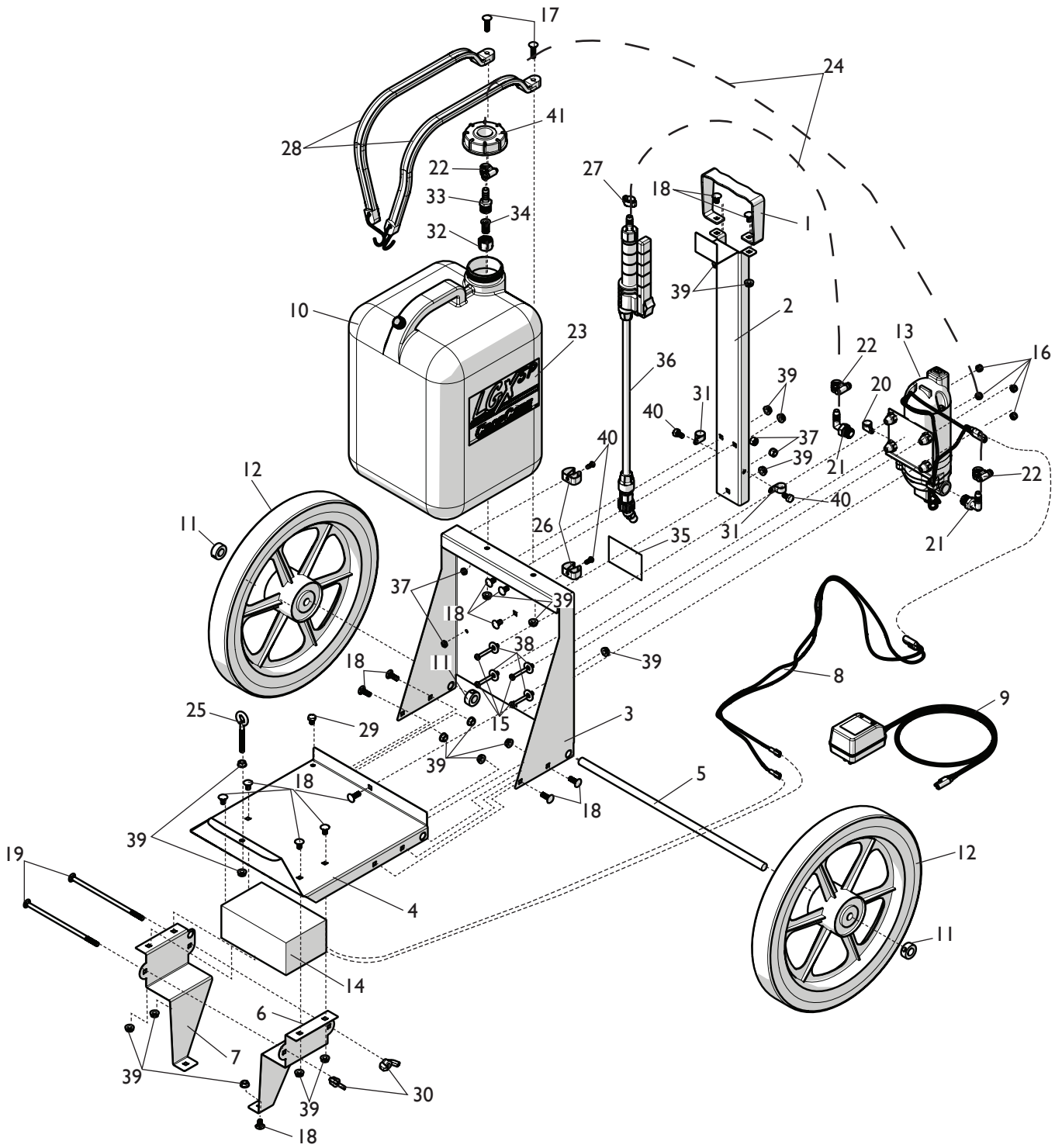
1. The battery harness (a) has a 2-pronged plug. This wiring harness needs to be connected to the Shurflo Pump® wiring harness (b). Make sure the wire colors match.
2. The battery end of the wire harness needs to be connected to a 12 volt DC power source. Connect the red wire to the positive power battery terminal. The black wire needs to be connected to the negative terminal of the battery.

Note: Use caution when routing the wiring harness to avoid areas where the wires can be pinched, rubbed, or exposed to excessive heat.

Warning: DO NOT PLUG BATTERY CHARGER INTO PUMP!! It will cause serious damage to the pump and or charger.



Assembly Instructions



Assembly Instructions

Ref #	Qty.	Part Number	Description
1	1	L001	Caddy sprayer handle
2	1	L002	Handle mount and hose holder
3	1	L003	Sprayer rear tank support
4	1	L004	Sprayer main frame
5	1	L005	Sprayer axle
6	1	L006	Battery holder/leg stand
7	1	L007	Battery holder/leg stand
8	1	L008	5 gallon sprayer wiring harness
9	1	L009	5 gallon sprayer, battery charger
10	1	L011	5 gallon sprayer, tank, (Comes with lid)
11	3	0500P	1/2" shaft collar
12	2	AR14X175P	Wheel Assembly
13	1	8007-594-838	2.1 gpm 12 volt pump w/sw and fuse vi-san
14	1	ES7-12	12V Rechargeable Battery.12V 7.0AH/Caddy
15	4	MR1024*114S	Machine screw, 10-24 x 1 1/4", stainless steel
16	4	NNC1024S	Nylon lock nut, 10-24, stainless steel
17	2	CB14*1G5	Carriage bolt, 1/4-20 x 1", grade 5
18	15	CB14*12	Carriage bolt, 1/4-20 x 1/2", grade 2
19	2	CB14*612	Carriage bolt, 1/4-20 x 6 1/2", grade 2
20	1	DC2406	Loom clamp, 3/8", nylon
21	2	3EL3838	Hose adapter, 90°, 3/8" MPT x 3/8" barb
22	3	6806052	Clamp, Hose 3/8" - 7/8" SS
23	2	DE90	5 gallon sprayer, logo decal
24	19'	I206	EPDM rubber hose, 3/8", 200 psi
25	1	N221119	Eye bolt, closed, 1/4-20 x 3", zinc
26	2	N189472	Gripper clips, 3/8" - 5/8", zinc
27	1	W1518	Oetiker clamp, 5/8"
28	2	T515	Tarp strap, 15"
29	1	H5C14*38	Hex bolt, 1/4-20 x 3/8" long, grade 5
30	2	WN14	Wing nut, 1/4-20
31	2	DC2510	Loom clamp, 5/8", nylon
32	1	38027	Nozzle cap for tip/barb, 11/16-16 UNF, poly
33	1	A3838BR	Hose adapter, 3/8" MPT x 3/8" barb, brass
34	1	8079PP50	Tip strainer, 50 mesh, poly body, SS screen, red
35	1	DE39	Decal, "Warning Read Owner's Manual", 2" x 3"
36	1	5080015PP406X26	TriggerJet spray gun, 15" poly extension, 3/8" HB inlet, X26 tip
37	4	NNC1024	Nylon lock nut, 10-24
38	4	FW10S	Flat washer, #10, stainless steel
39	19	FN14	Flange nut, 1/4-20
40	4	MR1024*12	Machine screw, 10-24 x 1/2", combo drive
41	1	FI505	Foamer tank lid, with hole

