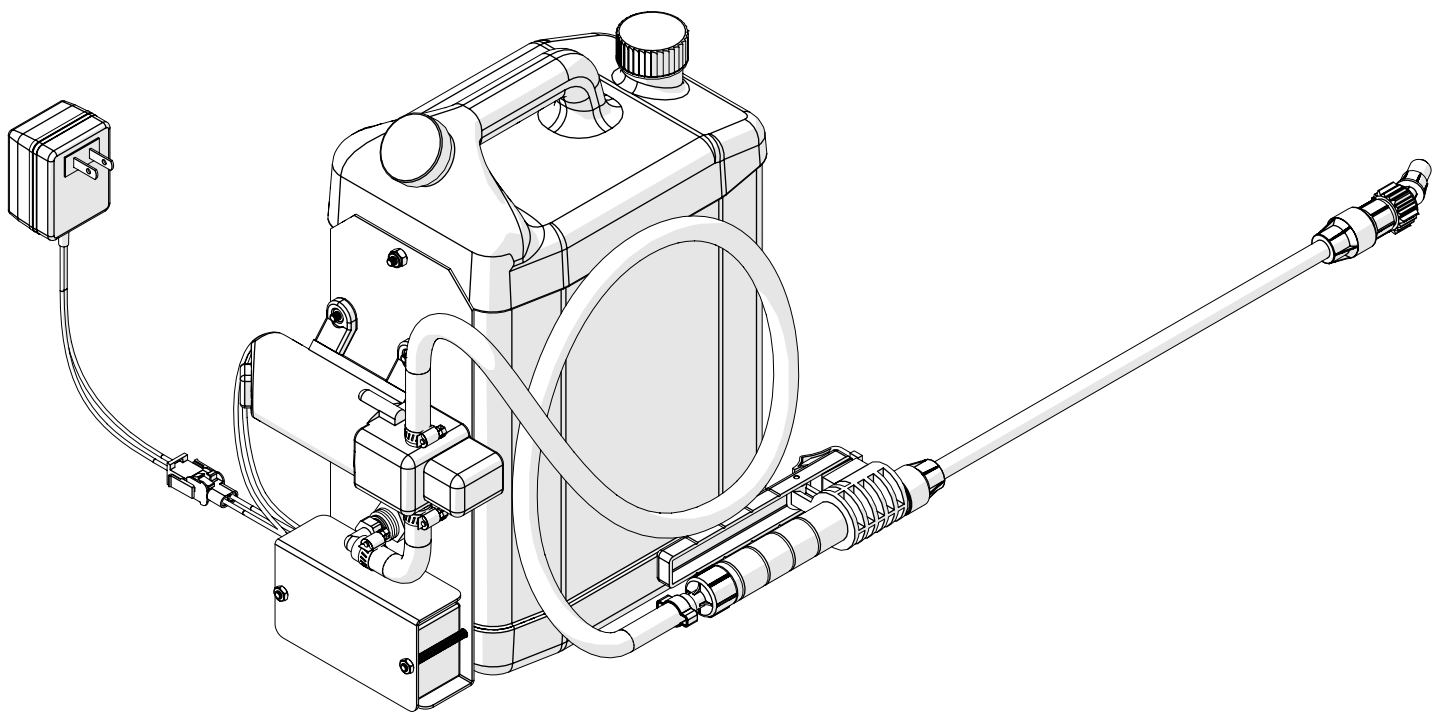




Owner's Manual

PowerSak Electric Sprayer Model S250



Manufactured by PBZ LLC
A Paul B Zimmerman Inc. Company
www.CropCareEquipment.com

Form: S250OM
Revision A Rev. Date 01/17

Table Of Contents

Specifications.....	3
Before You Begin.....	4
Safety Precautions.....	4
Pump Safety Precautions.....	4
Operating Instructions	5
Before and During Operation	5
Charging the Battery.....	5
Maintenance Instructions	6
Routine Maintenance.....	6
Winterizing your Sprayer	6
Breakdown & Parts List.....	7
S250 Breakdown & Parts List	7
CropCare® Limited Warranty	8

Specifications

2 1/2 gallon PowerSak Sprayer
Model #: S250

Tank capacity 2.5 gal
Power supply 12 volt / 1.2 amp battery

Pump:

Type.....Diaphragm pump
Manufacturer..... Shurflo®
Max pressure.....40 psi
Open flow rate..... 1.0 gpm

Sprayer:

Hose length3.5'

Weight:

Shipping weight 7 lbs

Before You Begin



Please read and understand this manual and its instructions and warnings completely before operating the sprayer.

- Be aware of all safety guidelines, warnings, and cautions.
- Read and understand the chemical manufacturer's labels, warnings, and instructions.

Safety Precautions



Pump Safety Precautions

- Read and follow chemical manufacturer's labels, warnings, and instructions! A material safety data sheet (MSDS) should be provided by the chemical manufacturer.
- Note: Never pump flammable or explosive fluids such as gasoline, fuel oil, kerosene, etc.
- Note: The pump may be run dry without resulting in damage.

Operating Instructions

Before and During Operation

1. Before using any chemical or product ensure that it is not a petroleum-based product or a non-compatible chemical for the pump.
2. Fill the sprayer tank with the proper amount of water and chemicals as instructed by the chemical manufacturer.
3. Turn the pump switch to the ON position and allow the pump to run until it reaches its maximum pressure. The pump will automatically turn off when its maximum pressure is reached. The pump does not need to be manually turned off with the control switch.
4. When you are ready to spray, point the gun in the desired direction and squeeze the trigger on the spray gun.
5. The spray gun's liquid flow can be adjusted by turning the spray tip (a) at the end of the spray gun wand. The spray gun's trigger can also be locked in the "on" position by sliding the plastic tab (b) on the top of the trigger towards yourself as shown in Figure 1.

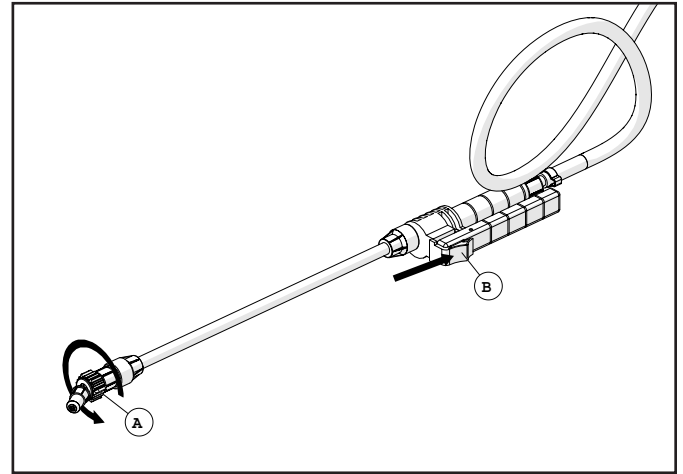


Figure 1

Charging the Battery

1. Important: Be sure the ON-OFF switch is in the OFF position before attempting to charge the battery. Attempting to charge the battery with the switch in the ON position will result in damage to the charger.
2. Important: Charging the battery for more than 16 hours will result in damage to the battery and the charger.
3. Plug the charger into a 110 volt AC outlet.
4. Plug the charger plug into the battery plug as shown in Figure 2.
5. A drained battery requires a 12-16 hour charge.

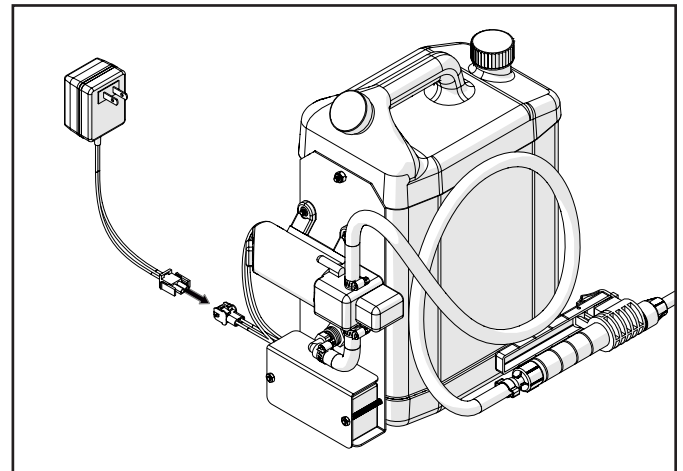


Figure 2

Maintenance Instructions

Routine Maintenance

1. The suction strainer is located on the end of suction hose (inside the tank) and should be inspected and rinsed off on a regular basis.
2. After each use it is important to rinse the pump and all components by running water through the system. Fill the tank with a sufficient amount of fresh water and engage the spray gun. Rinsing the pump with fresh water will greatly improve the life of the pump.
3. Always follow all pump safety precautions and warnings.

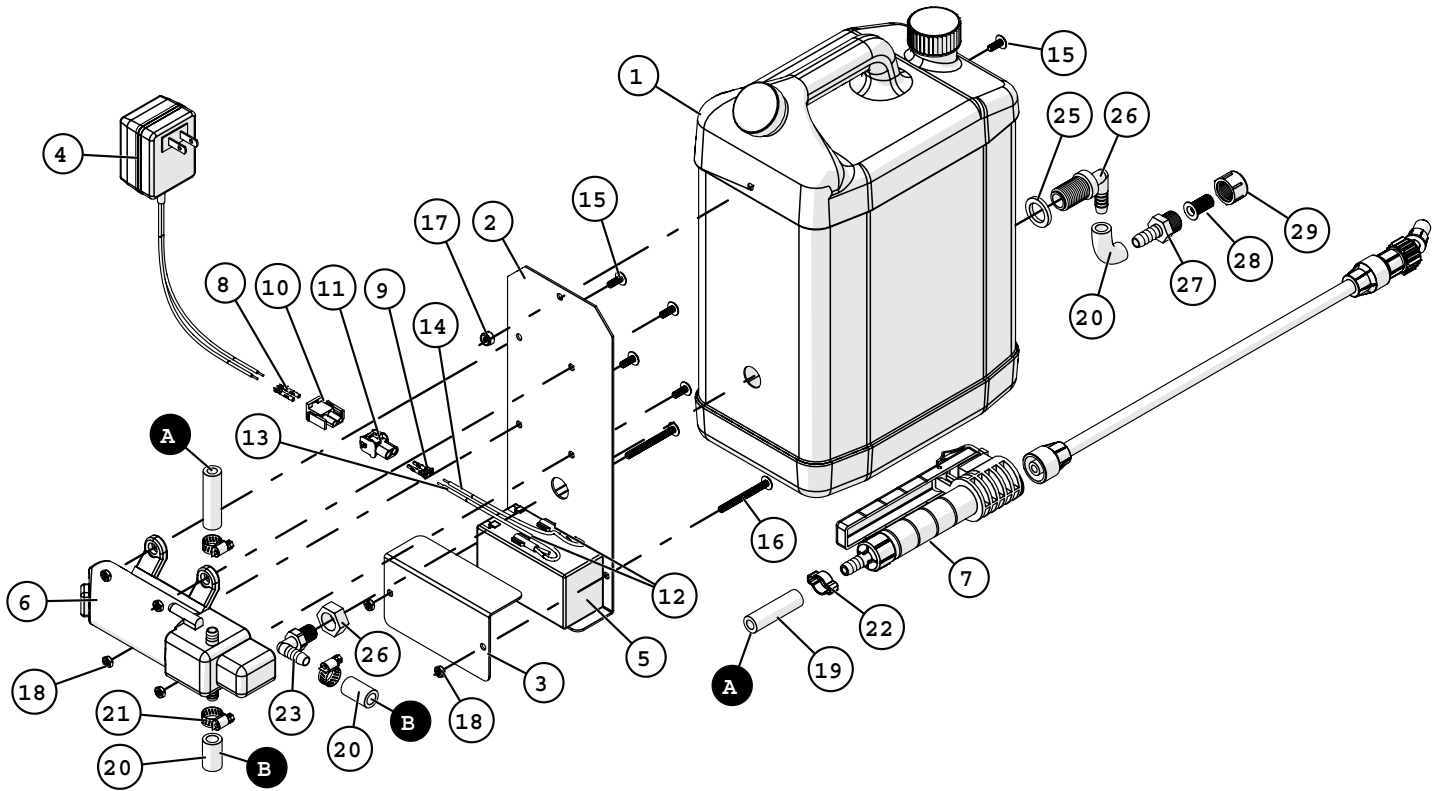
Winterizing your Sprayer

It is essential that you winterize your sprayer to avoid damage and to allow for optimal performance. The winterization process should be undertaken before freezing conditions and/or after each season of use.

1. Verify that the tank is rinsed out and empty. Pour some RV nontoxic antifreeze into the tank. It is not recommended to use engine antifreeze. Engine antifreeze can be harmful to humans, animals, crops, and the environment.
2. Engage the pump and spray with the spray gun. Make sure that the antifreeze has been pumped through the entire system.
3. Store the sprayer in a dry location away from the elements.
4. Before spraying in the spring it is recommended to flush the sprayer with fresh water to cleanse it of the antifreeze and any other buildup. It would also be beneficial to do a thorough inspection of all sprayer components before spraying.

Breakdowns & Parts Lists

S250 Breakdown & Parts List



Ref #	Qty	Part Number	Description
1	1	PS251	2 1/2 gallon PowerSak tank
2	1	PS252	S250 frame
3	1	PS253	S250 battery cover
4	1	PS254	S250 battery charger
5	1	ES1.2-12	Battery, 1.2AH 12V
6	1	SLV10-AA40	1.0 gpm 12V Shurflo pump
7	1	5080015PP406	Triggerjet spray gun
8	2	A1441	Mate-N-Lok contact, female
9	2	A1440	Mate-N-Lok contact, male
10	1	A1448	Mate-N-Lok 2 prong plug
11	1	A1449	Mate-N-Lok 2 prong cap
12	2	DC894005	Terminal, 16-14ga. female
13	1	BO2358	Primary wire, red (5.5" length)
14	1	BO2360	Primary wire, black (5.5" length)
15	5	SBT316*12	Stove bolt, truss head, 10-24 x 1/2"
16	2	SBT316*2	Stove bolt, truss head, 10-24 x 2"
17	1	NNC1024	Nylon lock nut, 10-24
18	6	NC1024	Hex nut, 10-24
19	1	6105	Vinyl reinforced hose, 5/16" (3.5' length)
20	2	8006	Jiffy push-loc hose, 3/8" (3" length)
21	3	62604	Hose clamp, 1/4"-5/8"
22	1	W1315	Oetiker clamp, 9/16"
23	1	3EL1438	Hose adapter elbow, 1/4" MPT x 3/8" barb
25	1	W406V	Hose washer, vinyl
26	1	PS255	3/8" barb poly nozzle ell body, tapped
27	1	3A3838	Hose adapter, 3/8" MPT x 3/8" barb
28	1	8079PP50	Tip strainer, poly, 50 mesh SS
29	1	38027	Poly nozzle cap

CropCare[®] Limited Warranty

Model: S250

Warranty Coverage

CropCare[®] hereby provides a Limited One (1) Year Warranty on this product, manufactured by CropCare[®]. This product manufactured by CropCare[®] is warranted against any manufacturer's defects and any of this product's components in the 12 months following the original date of purchase.

Defective components will be repaired or replaced at the discretion of the manufacturer. It is the responsibility of the purchaser to return warranted components to the manufacturer. This warranty is limited to the repair or replacement of this product's components only. CropCare[®] is not to be held liable for incidental or consequential damages of any kind. This warranty covers the purchaser of this product and any other owners who own it during the one (1) year warranty period.

To retain the warranty, the product must be operated and maintained as described by its owner's manual. For warranty service,

Warranty Is Void if:

1. This product has been subjected to, in the opinion of CropCare[®], negligent handling, misuse, an accident or if the instructions in the owner's manual were not completely followed.
2. This product's components have been altered in any manner or repairs have taken place with unapproved parts.

Getting Service

All product warranty claims must be made through the original retailer. All warranty claims must be submitted with an invoice or a proof of purchase that denotes the purchase date and place of purchase. If you have any questions or comments concerning this warranty, please contact the original retailer.

Ordering Parts

Please contact the original retailer to order replacement parts for your product.

CROPCARE

by PBZ[®]

Manufactured by PBZ LLC
A Paul B Zimmerman Inc. Company
www.CropCareEquipment.com