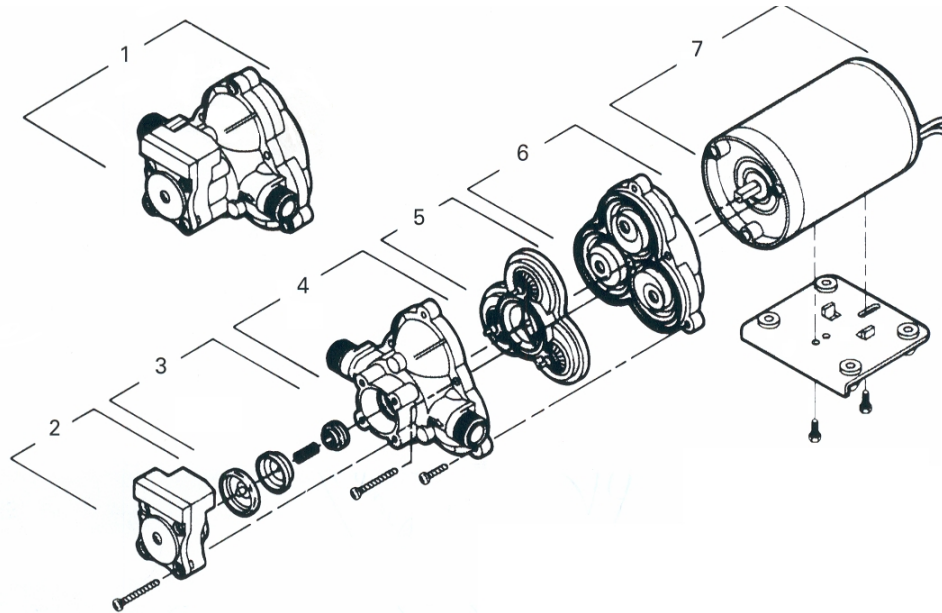


SHURflo® 2088 Series Diaphragm Pumps

Parts Breakdown:



Model Number	1 Complete Pump head Assembly	2 Switch Assembly Kit	3 Check Valve Assembly Kit	4 Upper Housing	5 Valve Assembly Kit	6 Diaphragm & Drive Kit	7 Pump Motor
2088-313-544	N/A	94-230-40	94-237-05	94-231-30	94-232-05	94-238-03	N/A
2088-343-135	94-236-11	94-230-36	94-237-05	94-231-30	94-232-05	94-238-03	11-111-00
2088-394-154	94-236-11	94-230-36	94-237-05	94-231-30	94-232-05	94-238-03	11-150-10

Specifications:

- ◆ **Model 2088-313-544:** 4.0 gpm open flow, 12 volt, Viton® valves, Santoprene® diaphragm, 45 PSI demand switch, 1/2" npt male ports
- ◆ **Model 2088-343-135:** 3.0 gpm open flow, 12 volt, Viton® valves, Santoprene® diaphragm, 45 PSI demand switch, 1/2" npt male ports
- ◆ **Model 2088-394-154:** 3.2 gpm open flow, 110 volt, Viton® valves, Santoprene® diaphragm, 40 PSI demand switch, 1/2" npt male ports

Features:

- ◆ Self priming up to 12 feet
- ◆ Chemical resistant materials
- ◆ Designed for heavy duty fluid transfer
- ◆ Runs dry without causing damage