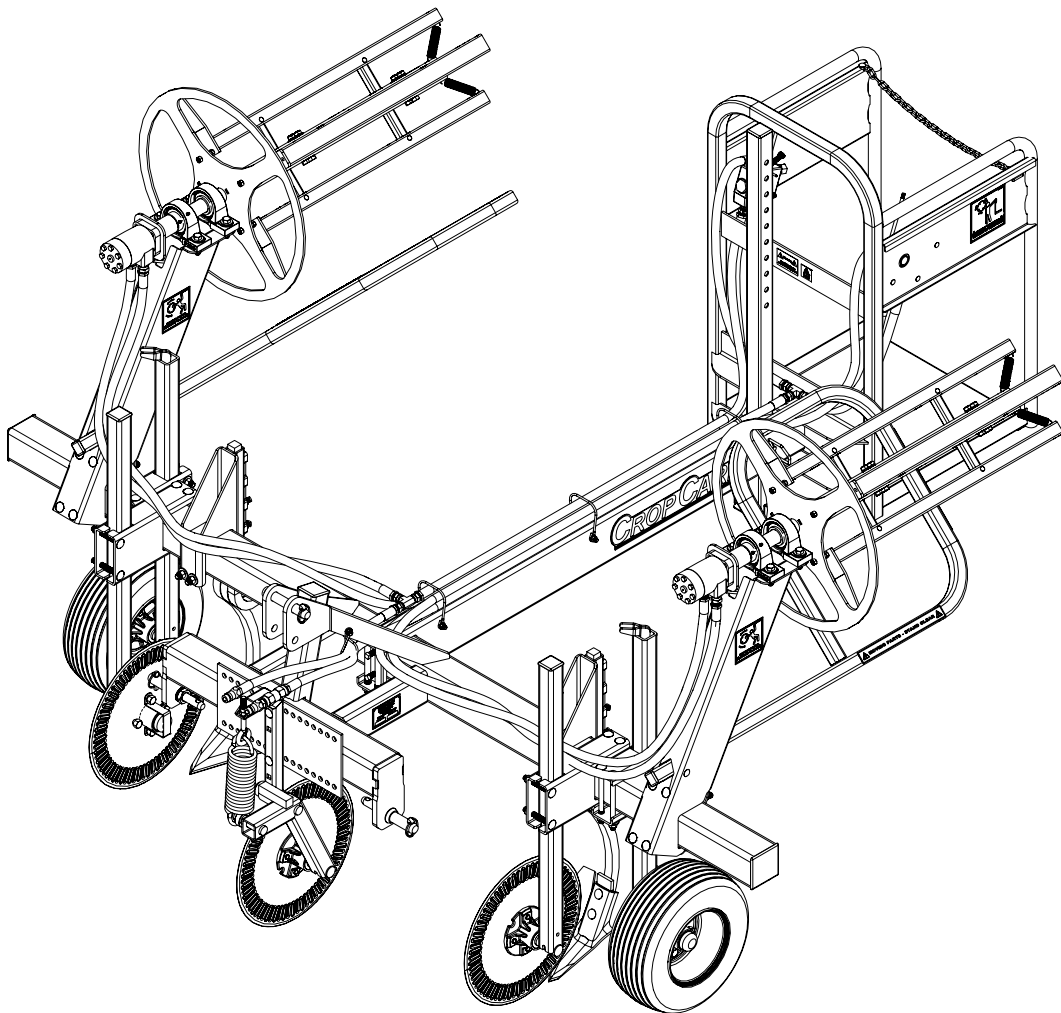




Assembly Manual

PR25-1 & PR25-10AM

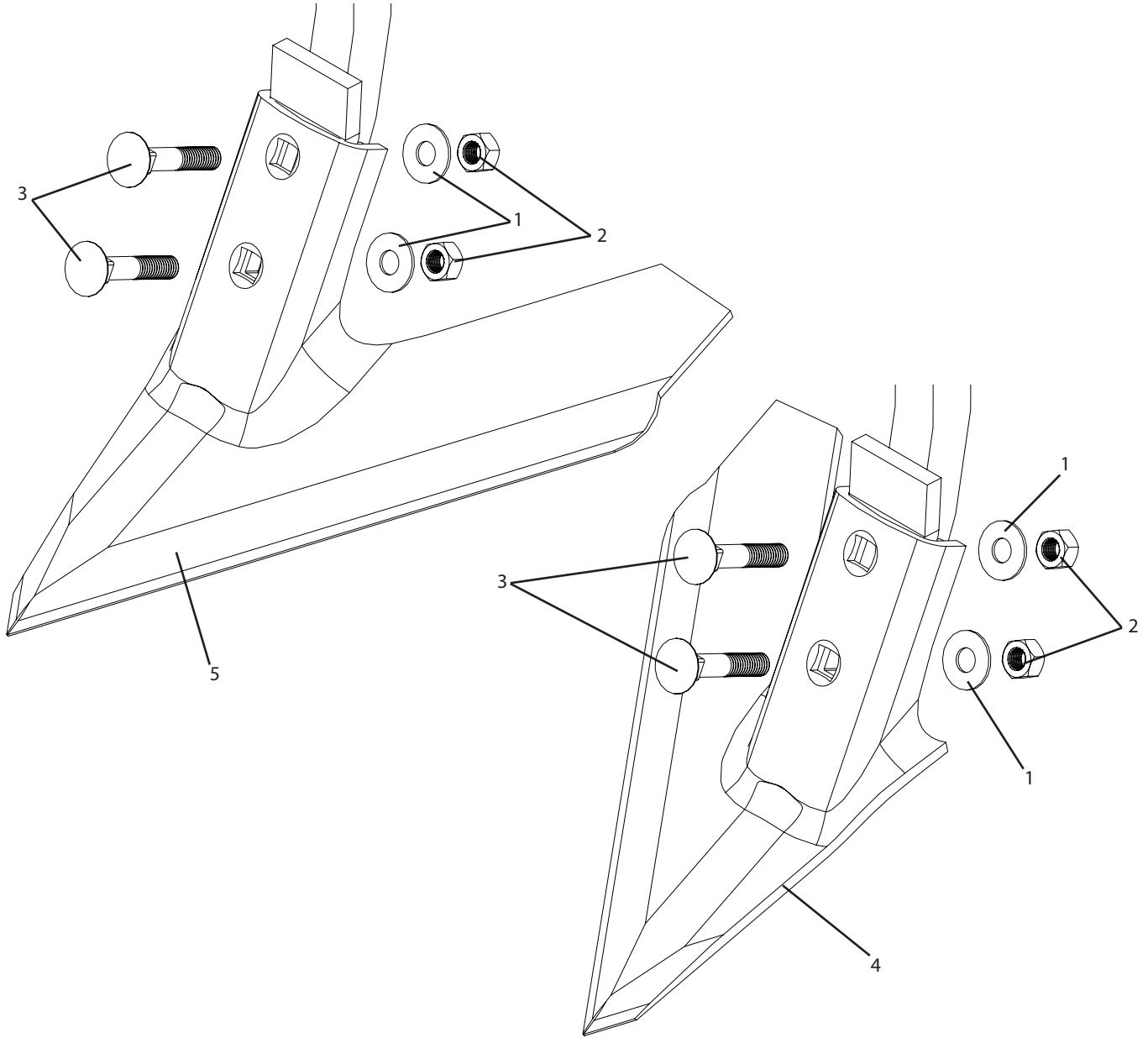


PBZ LLC | 295 Wood Corner Rd | Lititz PA 17543
www.CropCareEquipment.com | (717) 738-7365
A Paul B Zimmerman Inc. Company

Form PR25-1-PR25-10AM_REV-A
Rev. A Date 10/17

PR25-1 & PR25-10 Assembly Instructions

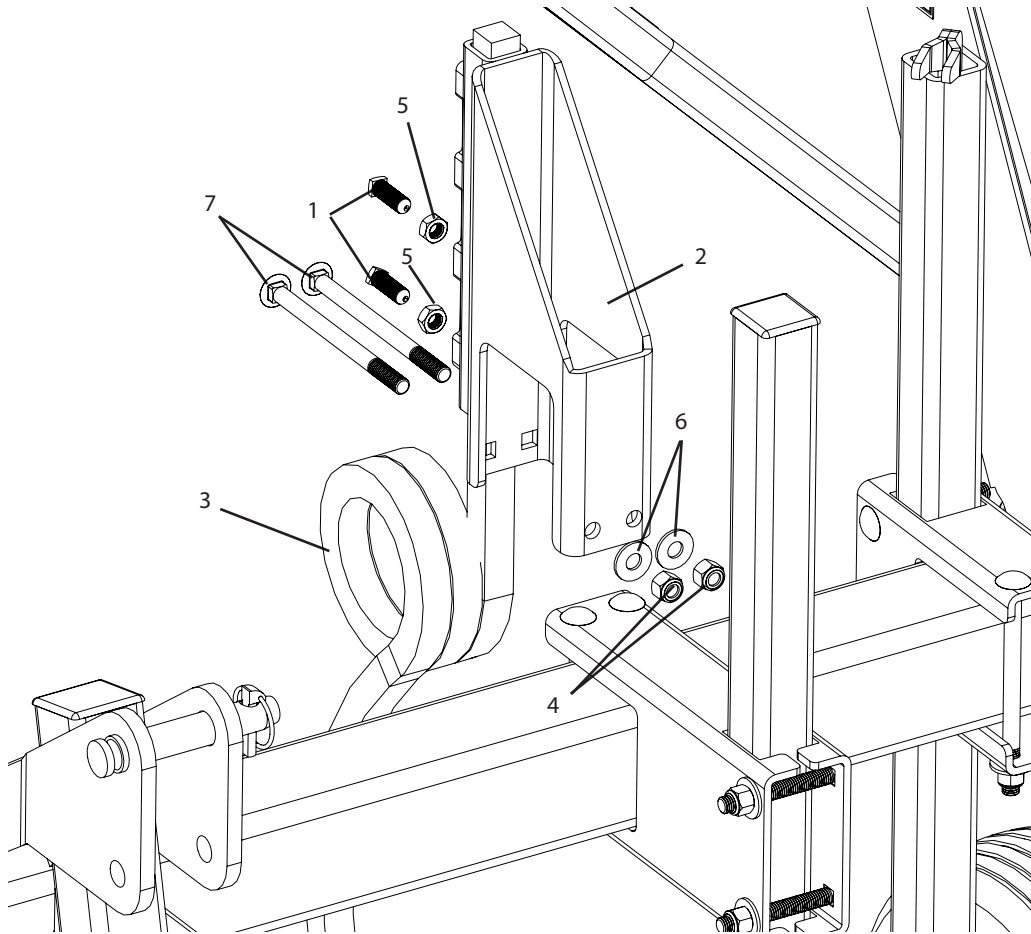
Assembly Step 1 (Installing the shovels, PR25-1)



Ref#	Qty.	Part #	Description
1	4	FW716	Washer, Flat 7/16"
2	4	NC716	Nut, Hex 7/16-14
3	4	PB716*212	Bolt, Plow 7/16-14 x 2-1/2"
4	1	PR2018	Offset shovel, left
5	1	PR2019	Offset shovel, right

PR25-1 & PR25-10 Assembly Instructions

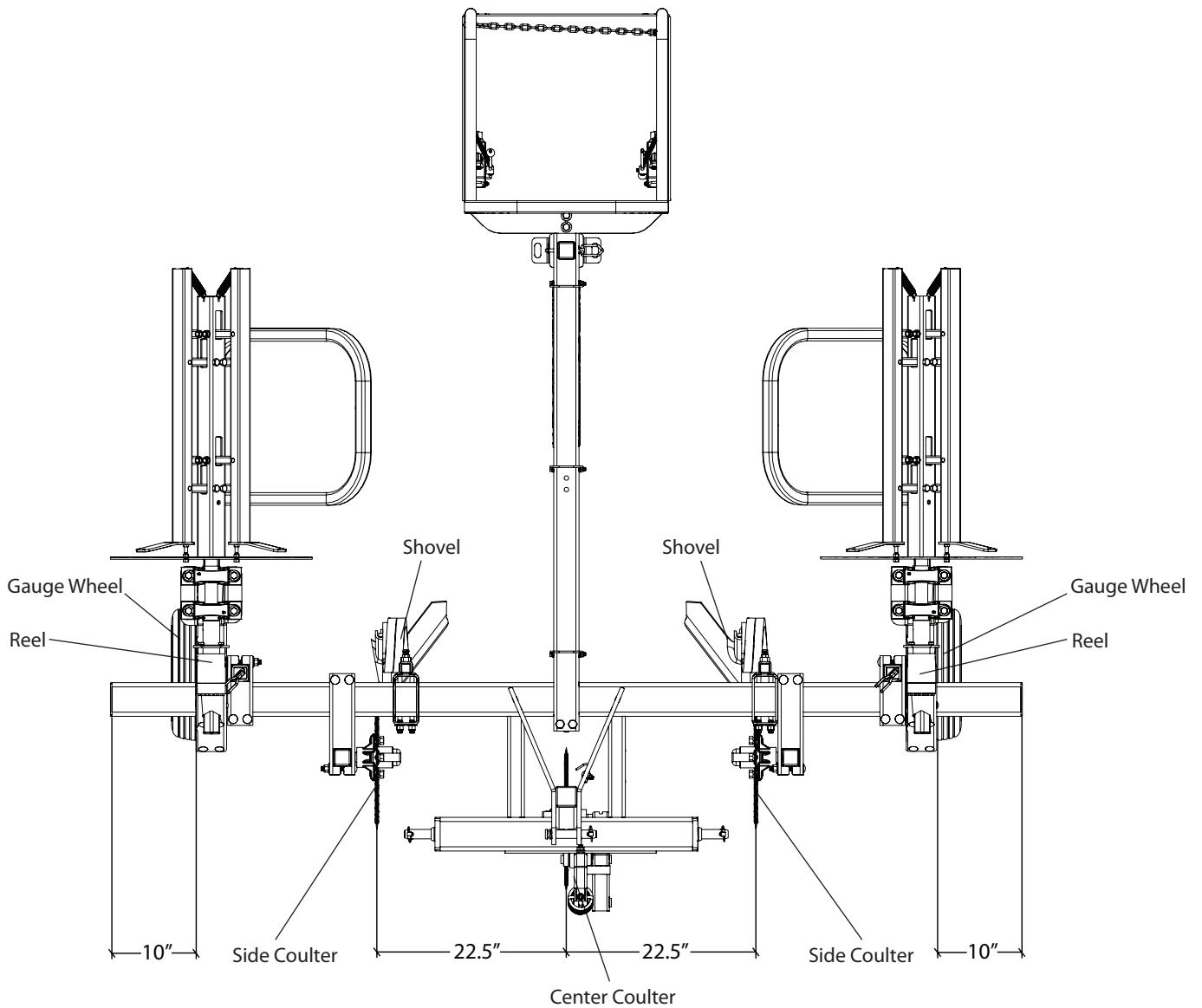
Assembly Step 2 (Installing the shanks, PR25-10)



Ref#	Qty.	Part #	Description
1	4	SHS12*112Z	Screw, Square Head Set 1/2-13 x 1-1/2" Zinc
2	2	PR2541	Clamp, Tool Bar 1" Coil Shank
3	2	PR2531	Coil spring shank with plate, 1" sq
4	4	NNC12	Nut, Lock Nylon 1/2-13
5	4	JNC12	Nut, Jam 1/2-13
6	4	FW12	Washer, Flat 1/2" USS
7	4	CB12*7G5	Bolt, Carriage 1/2-13 x 7" Gr 5

PR25-1 & PR25-10 Assembly Instructions

Assembly Step 3 (Tool Spacing)



NOTE: The above figure shows the approximate measurements required for 48" plastic rows. All measurements are based off of the center coulters blade. The shovels are centered with the side coulters. See the "Operating Instructions" section in the owner's manual for instructions on the proper adjustment for coulters and shovel spacing and depth.