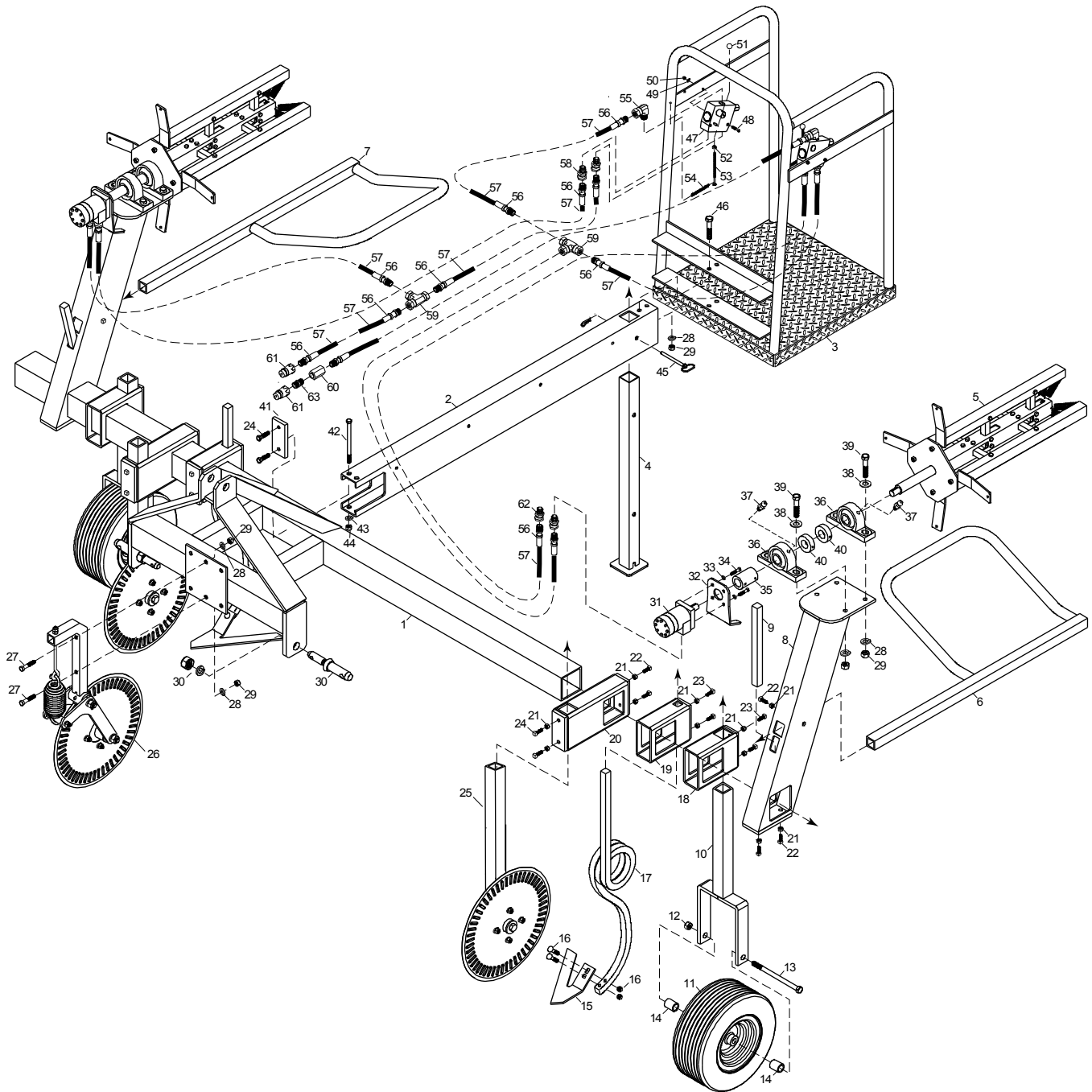


Plastic Wrapper Breakdown



Plastic Wrapper Parts List

<i>Ref. #</i>	<i>Qty.</i>	<i>Part Number</i>	<i>Description</i>
1	1	PR2502	Wrapper tool bar
2	1	PR2504	Cage tube (platform)
3	1	PR2503	Cage (platform)
4	1	PR2507	Rear leg stand
5	2	PR2501**	Complete reel assembly
6	1	PR2520	Plastic guide, left
7	1	PR2521	Plastic guide, right
8	2	PR2522	Reel mounting post
9	2	PR2017	Reel release bar
N/S	2	PR2008	Gauge wheel assembly (includes #10-14)
10	2	PR2008-P*	Guage wheel yoke
11	2	MW16654C34*	Wheel 16 x 650-8
12	2	NNC34*	3/4" lock nut
13	2	H8C34*9*	3/4" x 9" bolt
14	4	B1218-12*	Bushing
15	1	PR2019	Offset shovel, left
N/S	1	PR2018	Offset Shovel, Right
16	4	PB716*2	Plow Bolt
17	2	H506	Coil spring shank
18	2	PR2015*	Gauge wheel clamp
19	2	PR2014	Coil spring shank clamp
20	2	PR2515	Side coulter clamp
21	22	JNC12	1/2" jam nut
22	10	SHS12*2	1/2" x 2" set screw
23	8	SHS12*114	1/2" x 1 1/4" set screw
24	6	SHS12*112	1/2" x 1 1/2" set screw
25	2	PR2013***	Side coulter assembly (includes #20)
26	1	PR2505***	Center coulter assembly
27	2	H5C12*212	1/2" x 2 1/2" bolt
28	14	LW12	1/2" lock washer
29	14	NC12	1/2" nut
30	2	00213	Lift pin cat. 1-2 forged
31	2	ADM100-4RP	Motor, hydraulic, 1" shaft, 1/2" MPT port
32	2	PR2506	Reel motor plate
33	8	LW38	3/8" lock washer
34	8	H5C38*1	3/8" x 1" bolt
35	2	S1C-100-100-BLA	Shaft coupler 1" with 1/4" Key
36	4	HCP208-24	Power rite bearing, 1 1/2"
37	4	GF101	Grease Fitting, 1/4-28, straight
38	8	FW12	1/2" flat washer
39	8	H5C12*2	1/2" x 2" bolt
40	4	ER200824*	1 1/2" locking collar
41	1	PR2508	Wrapper cage tube clamping plate
42	2	H5C58*7	5/8" x 7" bolt

* Individual part is included in a complete assembly.

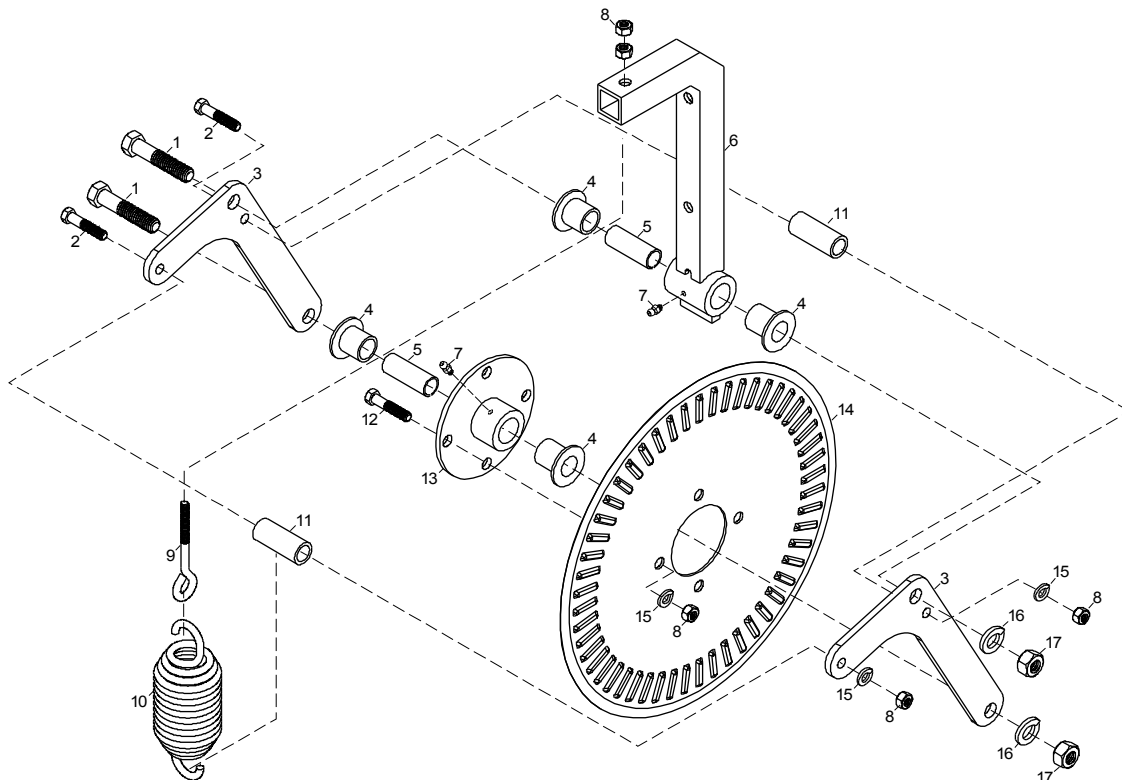
** Reel breakdown is listed on page #12.

*** Coulter breakdown is listed on page #10 & 11.

Plastic Wrapper Parts List

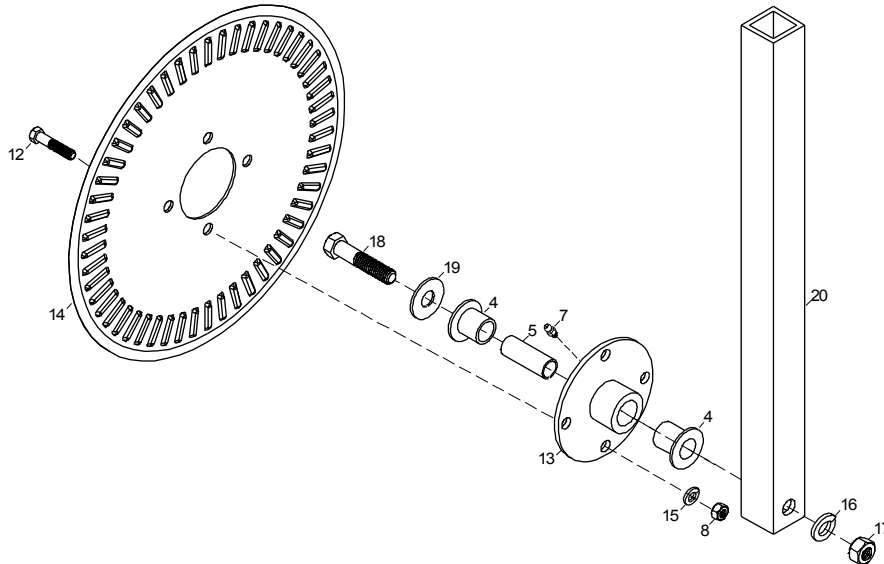
Ref. #	Qty.	Part Number	Description
43	2	LW58	5/8" lock washer
44	2	NC58	5/8" nut
45	1	01518	Hitch pin, 3/8" x 3 1/2" cold forged
46	4	H5C12*114	1/2" x 1-1/4" bolt
47	2	RDRS-108-16	Flow control 0-16 GPM. w/ relief
48	4	H5C14*212	1/4" x 2 1/2" bolt
49	4	LW14	1/4" lock washer
50	4	NC14	1/4" nut
51	2	PB1*516	Plastic Ball Knob
52	2	0313P	5/16" shaft collar
53	2	CB516*8	5/16" x 8" carriage bolt
54	1	SC-78	Spring Ext. SS 7/16" x 2 7/8" (2/PK)
55	2	6901-08-08	Hvd. adapter. 1/2" MPT x 1/2" FPT swivel
56	18	HY08-08MP	Hyd. hose end, 1/2" hose x 1/2" MPT
57	64.5'	5109-08	Hyd. hose, 1/2", 2000 PSI
58	4	6900-08-08	Hyd. adapter 1/2" ORB x 1/2" FPT swivel
59	2	1603-08-08-08	Hvd. tee. 1/2" FPT swivel
60	1	ATR08	Hyd. check valve, 1/2" NPT, 3000 PSI
61	2	S71-4	Hyd.quick coupler, 1/2" FPT x male tip
62	4	1404-08-08	Hyd. adapter 1/2" MPT x 1/2" FPT swivel
63	1	5404-08-08	Hvd. Nipple. 1/2" MPT

Center Coultter Breakdown



Continued on next page.

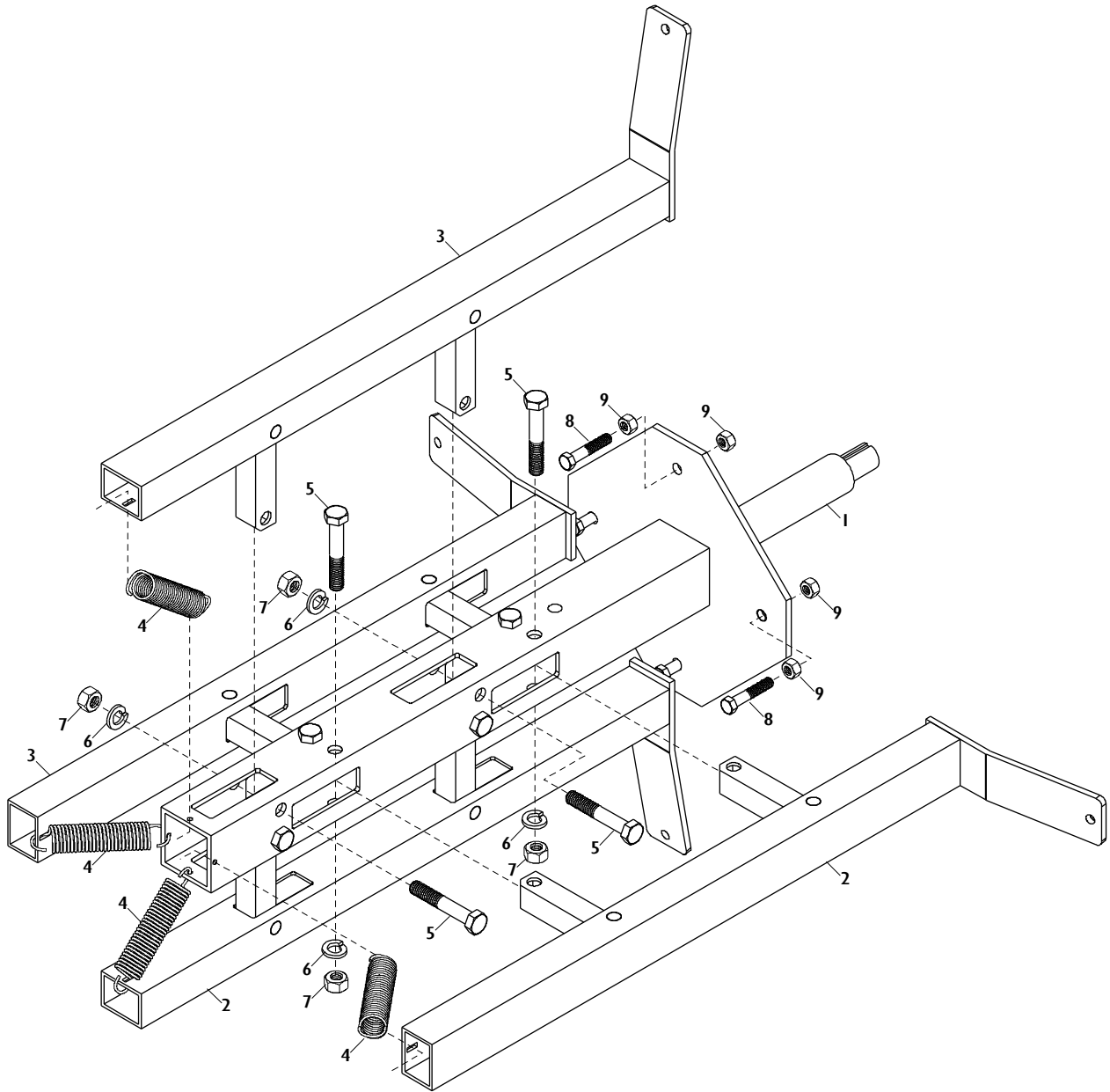
Side Coulter Breakdown



Coulter Parts List

<i>Ref. #</i>	<i>Qty.</i>	<i>Part Number</i>	<i>Description</i>
1	2	H5C34*412	3/4" x 4 1/2" bolt
2	2	H5C12*412	5/16" x 4 1/2" bolt
3	2	PR2005A	Center coulter side plate
4	8	FB1620-8	Brass bushing, 1" x 1 1/4" x 1" flanged
5	4	TP134278	Bushing 1" x 3/4" x 2 7/8"
6	1	PR2505C	Center coulter mount
7	4	GF101	Grease fitting, 1/4-28, straight
8	15	NC12	1/2" nut
9	1	N221325	1/2" x 8" eve bolt
10	1	12978	Spring ext. 3" x 10"
11	1	PR2005E	Center coulter spring bushing
12	12	H5C12*1	1/2" x 1" bolt
13	3	PR2005B	Coulter hub
14	3	F17157MLWR	Coulter 17"
15	13	LW12	1/2" lock washer
16	4	LW34	3/4" lock washer
17	4	NC34	3/4" nut
18	2	H5C34*6	3/4" x 6" bolt
19	2	FW34	3/4" flat washer
20	1	PR2013A	Side coulter tube

Reel Breakdown



Reel Parts List

Ref. #	Qty.	Part Number	Description
1	1	PR2501A	Reel center tube w/ 1 1/2" shaft
2	2	PR2501B	Reel outer tube
3	2	PR2501C	Reel outer tube
4	2	S-255	Spring, 7/8" x 3 1/2" (2/PK)
5	8	H5C12*4	1/2" x 4" bolt
6	8	LW12	1/2" lock washer
7	8	JNC12	1/2" jam nut
8	4	H5C38*112	3/8" x 1 1/2" bolt
9	8	NC38	3/8" nut