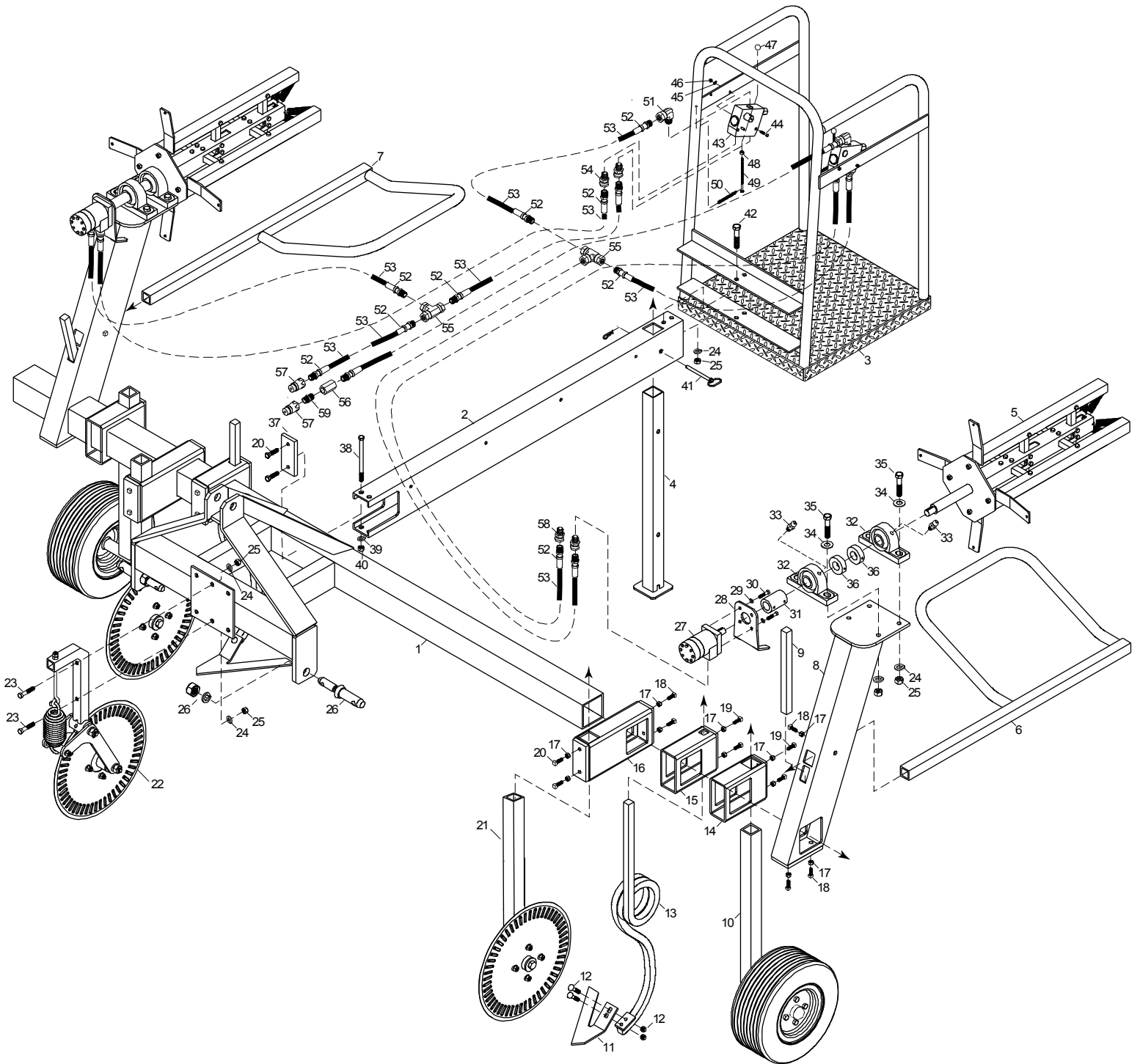


Plastic Wrapper Breakdown



Plastic Wrapper Parts List

<i>Ref. #</i>	<i>Qty.</i>	<i>Part Number</i>	<i>Description</i>
1	1	PR2502	Wrapper tool bar
2	1	PR2504	Cage tube (platform)
3	1	PR2503	Cage (platform)
4	1	PR2507	Rear leg stand
5	2	PR2501**	Complete reel assembly
6	1	PR2520	Plastic guide, left
7	1	PR2521	Plastic guide, right
8	2	PR2522	Reel mounting post
9	2	PR2017	Reel release bar
10	2	PR2510***	Gauge wheel assembly
11	1	PR2019	Offset shovel, left
N/S	1	PR2018	Offset Shovel, Right
12	4	PB716*2	Plow Bolt
13	2	PR2531	Coil spring shank
14	2	PR2015*	Gauge wheel clamp
15	2	PR2014	Coil spring shank clamp
16	2	PR2515	Side coulter clamp
17	22	JNC12	1/2" jam nut
18	10	SHS12*2	1/2" x 2" set screw
19	8	SHS12*114	1/2" x 1 1/4" set screw
20	6	SHS12*112	1/2" x 1 1/2" set screw
21	2	PR2013****	Side coulter assembly (includes #16)
22	1	PR2505****	Center coulter assembly
23	2	H5C12*212	1/2" x 2 1/2" bolt
24	14	LW12	1/2" lock washer
25	14	NC12	1/2" nut
26	2	00213	Lift pin cat. 1-2 forged
27	2	ADM100-4RP	Motor, hydraulic, 1" shaft, 1/2" MPT port
28	2	PR2506	Reel motor plate
29	8	LW38	3/8" lock washer
30	8	H5C38*1	3/8" x 1" bolt
31	2	S1C-100-100-BLA	Shaft coupler 1" with 1/4" Key
32	4	UCP208-24	Power rite bearing, 1 1/2"
33	4	GF101	Grease Fitting, 1/4-28, straight
34	8	FW12	1/2" flat washer
35	8	H5C12*2	1/2" x 2" bolt
36	4	ER200824*	1 1/2" locking collar
37	1	PR2508	Wrapper cage tube clamping plate
38	2	H5C58*7	5/8" x 7" bolt
39	2	LW58	5/8" lock washer

* Individual part is included in a complete assembly.

** Reel breakdown is listed on page 13.

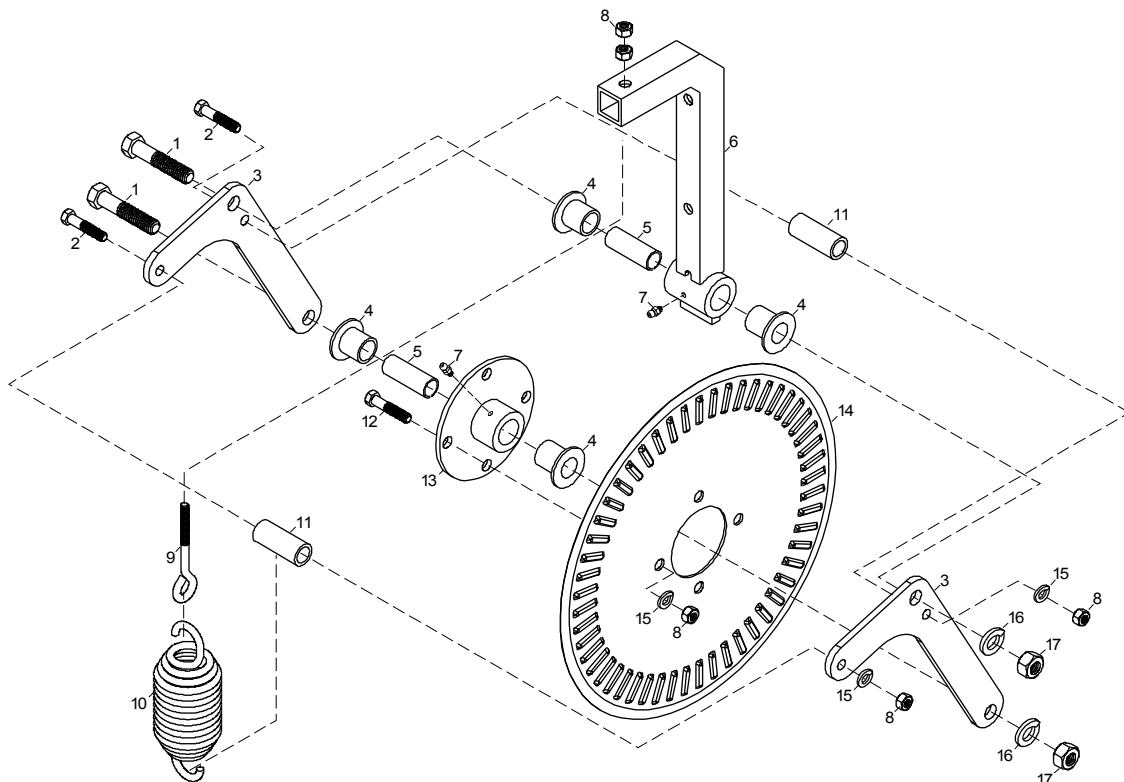
*** Gauge wheel assembly breakdown is listed on page 12

**** Coulter breakdown is listed on page 10 & 11.

Plastic Wrapper Parts List

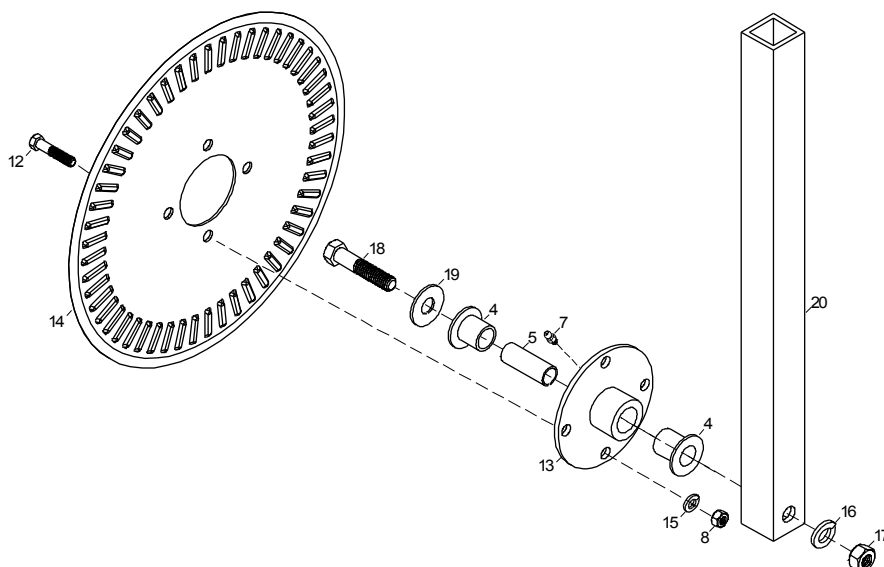
Ref. #	Qty.	Part Number	Description
40	2	NC58	5/8" nut
41	1	01518	Hitch pin, 3/8" x 3 1/2" cold forged
42	4	H5C12*114	1/2" x 1-1/4" bolt
43	2	RDRS-108-16	Flow control 0-16 GPM, w/ relief
44	4	H5C14*212	1/4" x 2 1/2" bolt
45	4	LW14	1/4" lock washer
46	4	NC14	1/4" nut
47	2	PB1*516	Plastic Ball Knob
48	2	0313P	5/16" shaft collar
49	2	CB516*8	5/16" x 8" carriage bolt
50	1	SC-78	Spring Ext. SS 7/16" x 2 7/8" (2/PK)
51	2	6901-08-08	Hyd. adapter, 1/2" MPT x 1/2" FPT swivel
52	18	HY08-08MP	Hyd. hose end, 1/2" hose x 1/2" MPT
53	64.5'	5109-08	Hyd. hose, 1/2", 2000 PSI
54	4	6900-08-08	Hyd. adapter 1/2" ORB x 1/2" FPT swivel
55	2	1603-08-08-08	Hyd. tee, 1/2" FPT swivel
56	1	ATR08	Hyd. check valve, 1/2" NPT, 3000 PSI
57	2	S71-4	Hyd. quick coupler, 1/2" FPT x male tip
58	4	1404-08-08	Hyd. adapter 1/2" MPT x 1/2" FPT swivel
59	1	5404-08-08	Hyd. Nipple, 1/2" MPT

Center Coulter Breakdown



Continued on next page.

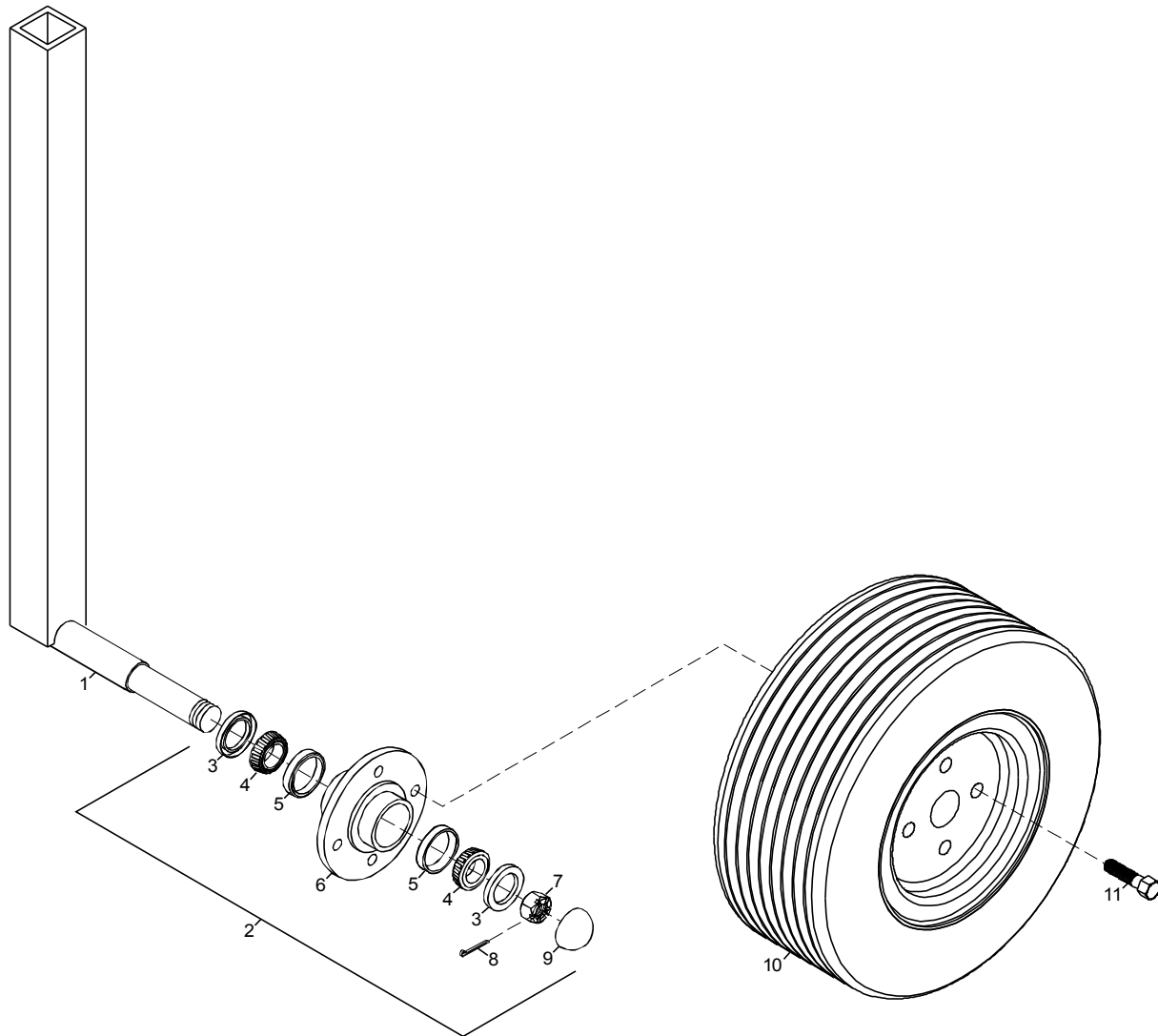
Side Coultter Breakdown



Coultter Parts List

<i>Ref. #</i>	<i>Qty.</i>	<i>Part Number</i>	<i>Description</i>
1	2	H5C34*412	3/4" x 4 1/2" bolt
2	2	H5C12*412	5/16" x 4 1/2" bolt
3	2	PR2005A	Center coultter side plate
4	8	FB1620-8	Brass bushing, 1" x 1 1/4" x 1" flanged
5	4	TP134278	Bushing 1" x 3/4" x 2 7/8"
6	1	PR2505C	Center coultter mount
7	4	GF101	Grease fitting, 1/4-28, straight
8	15	NC12	1/2" nut
9	1	N221325	1/2" x 8" eye bolt
10	1	12978	Spring ext. 3" x 10"
11	1	PR2005E	Center coultter spring bushing
12	12	H5C12*1	1/2" x 1" bolt
13	3	PR2005B	Coultter hub
14	3	F17157MLWR	Coultter 17"
15	13	LW12	1/2" lock washer
16	4	LW34	3/4" lock washer
17	4	NC34	3/4" nut
18	2	H5C34*6	3/4" x 6" bolt
19	2	FW34	3/4" flat washer
20	1	PR2013A	Side coultter tube

Gauge Wheel Breakdown



Gauge Wheel Parts List

Ref. #	Qty.	Part Number	Description
1	1	PR2509	Gauge wheel tube & spindle
2	1	MWH4C	Hub assembly (includes ref# 3-9)
3	2	12192VB	Oil seal, 1.25" ID x 1.979" OD x .25" W
4	2	L44643	Tapered bearing, 1" ID
5	2	L44610	Tapered bearing cup, 1.980" OD
6	1	N/A	Spindle hub, 4 hole (not available separately)
7	1	CNC1	1" castle nut
8	1	CT332*112	Cotter Pin 3/32" x 1 1/2"
9	1	1550	Hub cap, 1.988" OD x 1.21" ID
10	1	MW16654TR	15" wheel, 4 lug
11	4	5400820	1/2" x 1" wheel bolt

Reel Breakdown

Reel Parts List

<i>Ref. #</i>	<i>Qty.</i>	<i>Part Number</i>	<i>Description</i>
1	1	PR2501A	Reel center tube w/ 1 1/2" shaft
2	2	PR2501B	Reel outer tube
3	2	PR2501C	Reel outer tube
4	2	S-255	Spring, 7/8" x 3 1/2" (2/PK)
5	8	H5C12*4	1/2" x 4" bolt
6	8	LW12	1/2" lock washer
7	8	JNC12	1/2" jam nut
8	4	H5C38*112	3/8" x 1 1/2" bolt
9	8	NC38	3/8" nut

