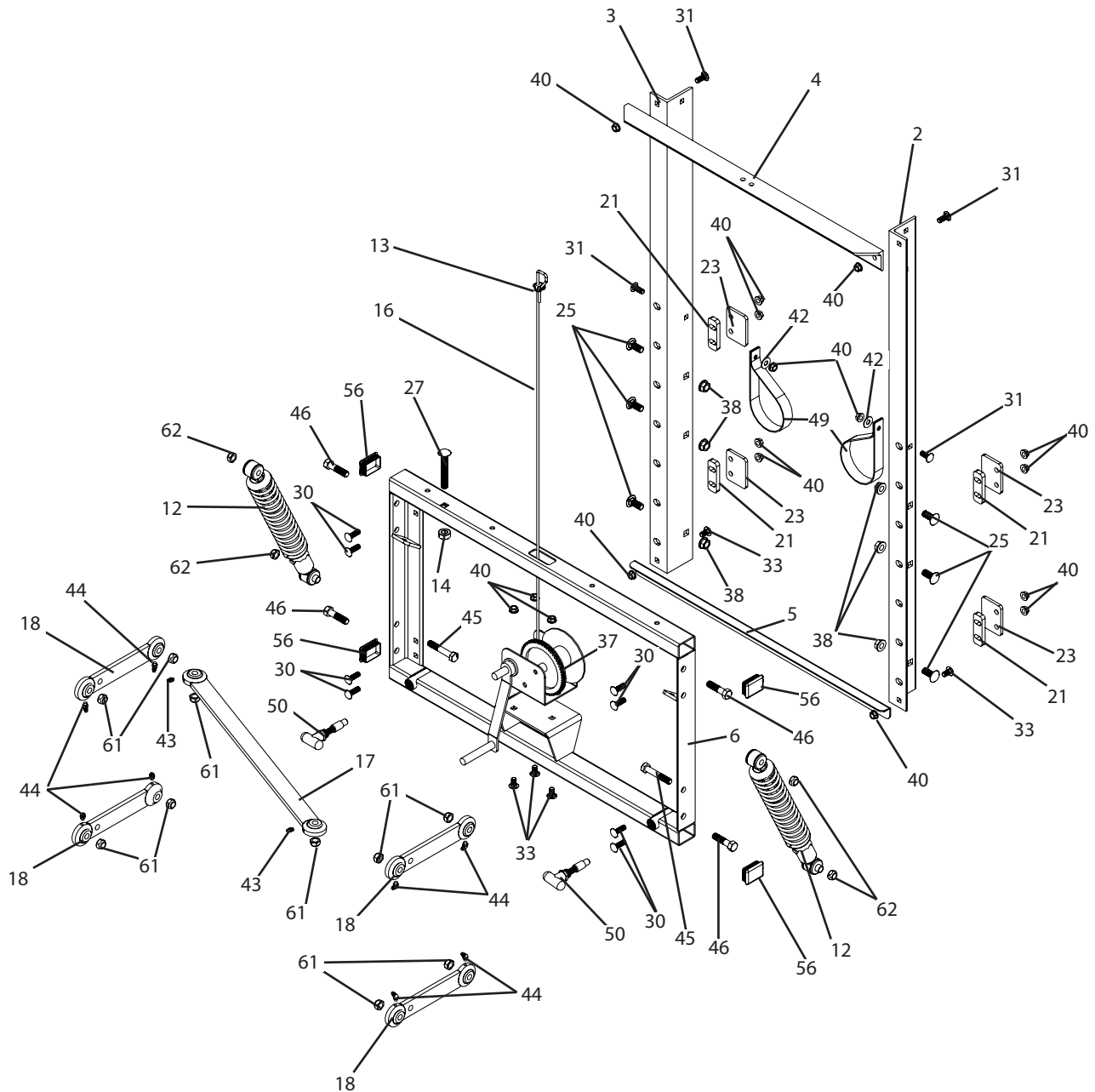
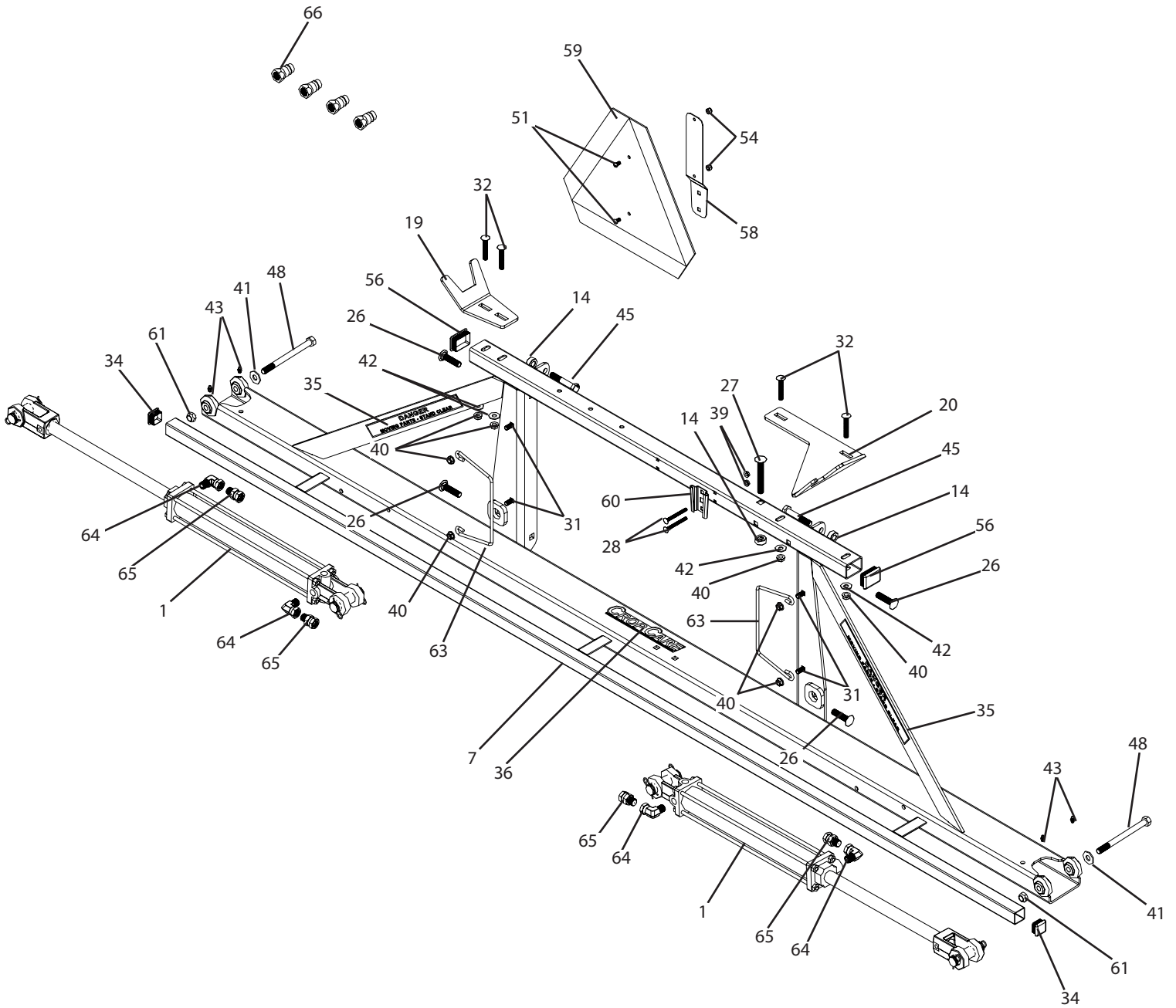


HX30 Breakdown

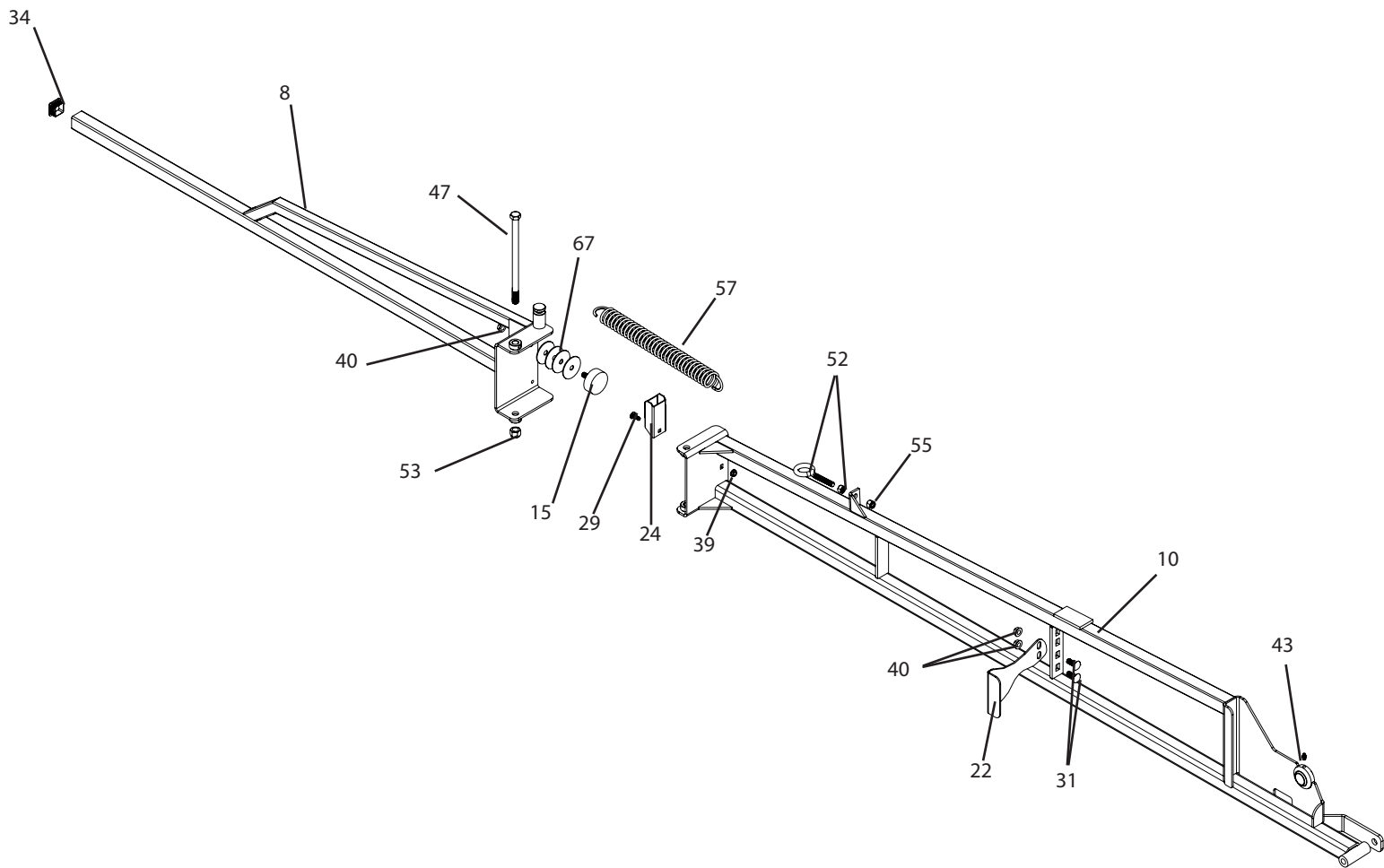
Boom, 30' X-Fold Hydraulic



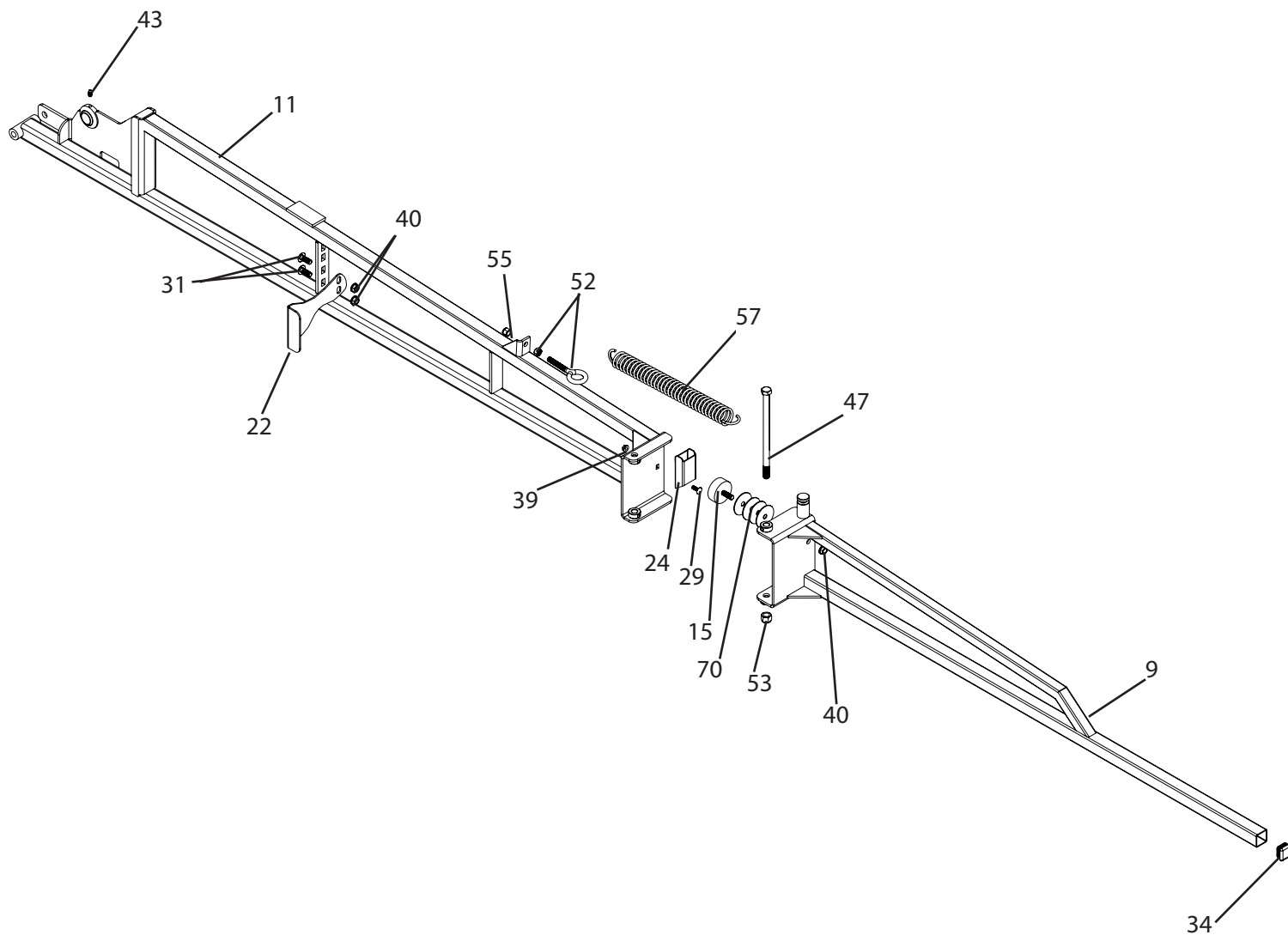
HX30 Breakdown



HX30 Breakdown



HX30 Breakdown



HX30 Breakdown

Ref #	Qty.	Part Numbers	Description
1	2	20TX14-112	Cylinder, Hyd Black 2" Bore x 14" Stroke 2500 PSI,
2	1	BF30HB10	Upright angle, right
3	1	BF30HB11	Upright angle, left
4	1	BF30HB12	Top angle
5	1	BF30HB12A	X-Fold boom vertical frame, bottom brace
6	1	BF30HB13	Boom slider frame
7	1	BF30HB16	Center frame, 30ft, 40ft, 45ft booms
8	1	BF30HB24	30' boom, outer wing, left
9	1	BF30HB25	30' boom, outer wing, right
10	1	BF30HB26	Boom wing, left, inner, HX30
11	1	BF30HB27	Boom wing, right, inner, HX30
12	2	00-9570-8	Shock, coil-over, 12mm bolt, 5.5in travel, 350lbs (11.25in to 16.75in)
13	1	04006	Clamp, Wire Rope 3/16" SS
14	4	0500P	Shaft Collar, 1/2"
15	2	2NPG6	Mount, Rubber 2" O.D. 3/8-16 Stud
16	1	BC004	Cable, Wire SS Boom Lift 30' & 40' 3/16"
17	1	BF30HB14	Link, Top Shock Frame
18	4	BF30HB15	Link, Side Shock Frame
19	1	BF30HB21	Prop, Boom Left
20	1	BF30HB22	Prop, Boom Right
21	4	BF30HB23	Spacer, Slide Clip
22	2	BF30HB30	30ft X-fold boom, Outer wing fold stop
23	4	BF409	Clip, Side Boom
24	2	BF45XA06	Wing stop spacer
25	6	CB12*114G5	Bolt, Carriage 1/2-13 x 1-1/4" Gr 5
26	4	CB12*2G5	Bolt, Carriage 1/2-13 x 2" Gr 5
27	2	CB12*312G5	Bolt, Carriage 1/2-13 x 3-1/2" Gr 5
28	2	CB14*212G5	Bolt, Carriage 1/4-20 x 2-1/2" Gr 5
29	2	CB14*34	Bolt, Carriage 1/4-20 x 3/4" Gr 2
30	8	CB38*114G5	Bolt, Carriage 3/8-16 x 1-1/4" Gr 5
31	12	CB38*1G5	Bolt, Carriage 3/8-16 x 1" Gr 5
32	4	CB38*214G5	Bolt, Carriage 3/8-16 x 2-1/4" Gr 5
33	5	CB38*34G5	Bolt, Carriage 3/8-16 x 3/4" Gr 5
34	4	CC5520	Plug, Poly Square 1-1/4" x 14-20 Ga Blk
35	2	DE24	Decal, "Danger Moving Parts Stand Clear"
36	1	DE46	Decal, CropCare Logo 1.9" x 8.8"
37	1	DLB800	Winch, Manual 800 lb Capacity w/Brake
38	6	FN12	Nut, Flange 1/2-13
39	4	FN14	Nut, Flange 1/4-20
40	33	FN38	Nut, Flange 3/8-16

HX30 Breakdown

Ref #	Qty.	Part Numbers	Description
41	2	FW12	Washer, Flat 1/2" USS
42	6	FW38	Washer, Flat 3/8"
43	8	GF101	Fitting, Grease 1/4-28 Straight
44	8	GF102	Fitting, Grease 1/4-28 - 45°
45	4	H12X70M	Metric Bolt 12x70MM 1.75 Pitch
46	4	H5C12*2	Bolt, Hex 1/2-13 x 2" Gr 5
47	2	H5C12*812	Bolt, Hex 1/2-13 x 8-1/2" Gr 5
48	2	H8C12*6	Bolt, Hex 1/2-13 x 6" Gr 8
49	2	HS1000	Hose Holder, Nylon Strap
50	2	K320PLOBBA	Pin, Pull w/T-Handle 1/2" w/Lock-Out
51	2	MR14*58	Screw, Machine Rd Hd 1/4-20 x 5/8" Phillips Drive
52	2	N221267	Bolt, Eye Closed 3/8-16 x 4" Zinc
53	2	NNC12	Nut, Lock Nylon 1/2-13
54	2	NNC14	Nut, Lock Nylon 1/4-20
55	2	NNC38	Nut, Lock Nylon 3/8-16
56	6	PPRE112*2*10-14	Plug, Plastic 1-1/2" x 2" x 10-14 Ga Black
57	2	S-371	Spring, Extension 1-3/16" x 10.8" x 0.162"
58	1	SMVB	Spade, SMV
59	1	SMVM	Sign, SMV Metal 14" x 16"
60	1	SMVS	Socket, SMV with hardware
61	12	SNC12	Nut, Lock Steel 1/2-13
62	4	SNC12M	Steel Lock Nut 12m x 1.75p Zinc
63	2	T486	Guide, Hose Small Trailer
64	4	1501-06-06	Elbow, Hyd. 90° 3/8" MPT x 3/8" FPT Swivel
65	4	1404R-06-06-.032	Restrictor, Hyd 0.032 Orifice 3/8" MPT x 3/8" FPT Swivel
66	4	S71-4P	Tip, Hyd Male 1/2" FPT Fits S20-S40-S70
67	8	FDW38*2	Washer, Fender 3/8" ID x 2" OD