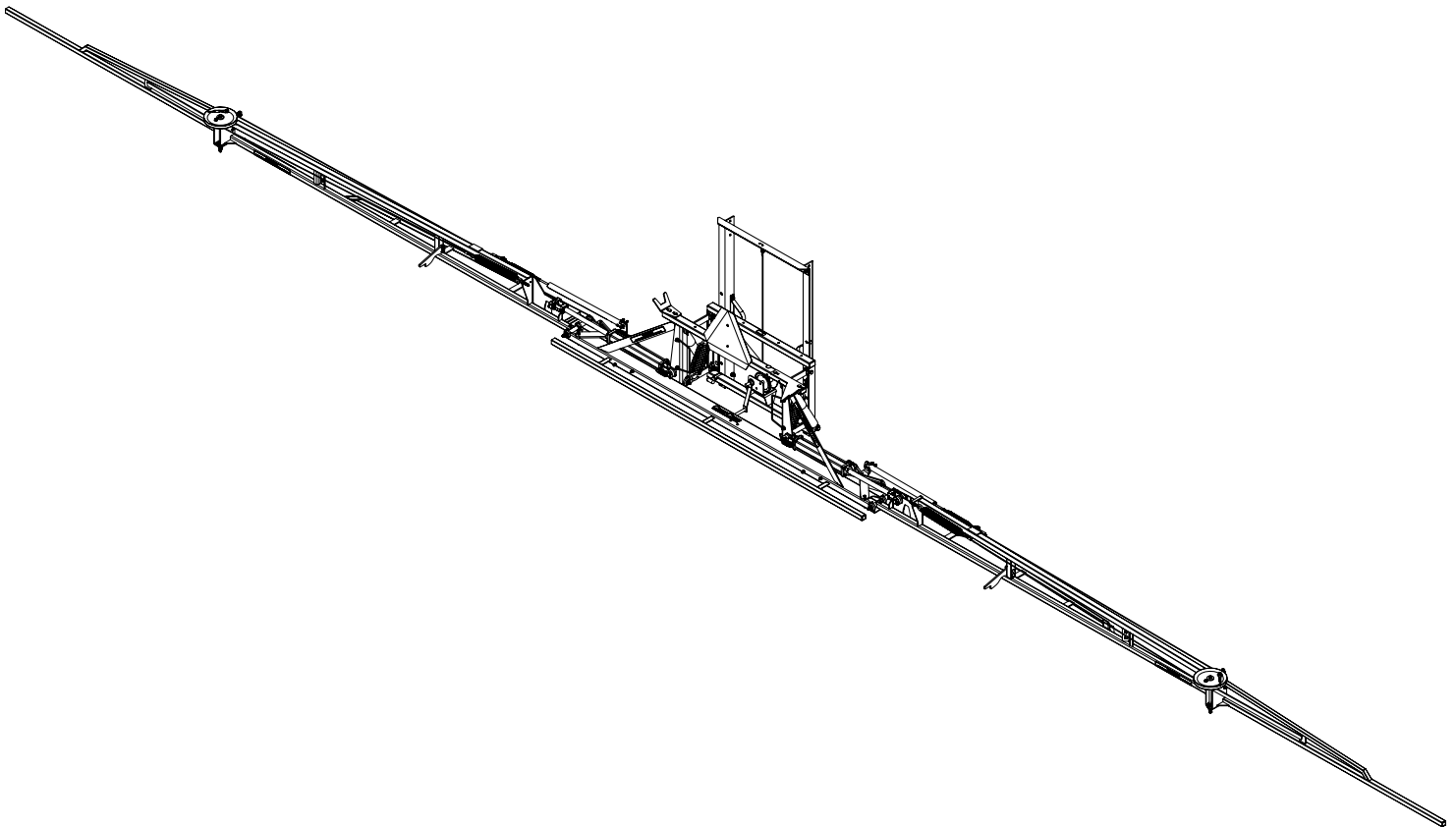


# Owner's Manual

## 40' X-fold hydraulic boom



PBZ LLC | 295 Wood Corner Rd | Lititz PA 17543  
[www.CropCareEquipment.com](http://www.CropCareEquipment.com) | (717)-738-7365  
A Paul B Zimmerman Inc. Company

Form HX40OM  
Date 08/15

Thank you for purchasing this CropCare® product. This owners manual contains helpful information regarding the installation, operation and maintenance of your product. For parts and service please contact your local CropCare® dealer.

## Table Of Contents

Before You Begin.....	2	Maintenance Instructions .....	5
Safety Precautions.....	3	Routine Maintenance.....	5
Before Operation .....	3	Winterizing your sprayer.....	5
During Operation .....	3	Grease Points.....	6
Towing the Sprayer .....	3	Wing Adjustments.....	7
Following Operation .....	4	CropCare® Limited Warranty.....	8
Operating Instructions .....	4	Contact Us.....	9
Before Operation .....	4	Ordering Parts.....	9
During Operation .....	4		
Following Operation .....	4		

## Before You Begin



Please read and understand this manual and its instructions and warnings completely before operating.

- Be aware of all safety guidelines, warnings, and cautions including those of the tractor manufacturer.
- Read and understand the chemical manufacturer's labels, warnings, and instructions.
- Know and fulfill all state pesticide applicator license requirements.
- Familiarize yourself and other operators with the sprayer's components and how all parts are operated.

# Safety Precautions



## Before Operation

- Be aware of the location of all the safety and warning decals. Always replace any decals that are illegible or are missing.
- Carefully study and understand this owner's manual.
- Do not wear loose-fitting clothing which may catch in moving parts.
- Perform a visual inspection for worn parts, loose bolts, or other visible problems, and make any necessary repairs. See the maintenance section (page 6).
- Never check for hydraulic hose leaks with your hands. If oil penetrates the skin and enters the bloodstream, the results can be fatal. If there is any visible damage to the hoses, replace them immediately.
- All maintenance should be performed with the sprayer unhooked from the tractor and clean of any harmful chemicals.
- Make sure the area is clear of any people or obstructions before using the sprayer.



## During Operation

- Always be aware of bystanders, particularly children! Always look before moving the sprayer or engaging the PTO. Bystanders should never be allowed near the sprayer during operation.
- The hydraulic boom, if improperly operated, can be very dangerous to the operator and/or bystanders. Do not allow anyone near the boom during operation or anytime the hydraulic system is engaged.
- Be aware of the boom's moving parts and the portions of the boom where the risk of pinching is high. It is also important to remember that the boom extends in a fast progression. When extending the boom be aware of any obstructions that could damage the boom.
- If the boom's movement is too fast or jolting, the hydraulic flow on most tractors can be adjusted. Proper flow adjustment can further increase the safety of the sprayer.
- Be aware of the safety warning decals on the boom (Figures 1-2).



Figure 1: Moving parts warning decal (DE24)



Figure 2: Swinging boom warning decal (DE26)

- Keep hands and body parts clear of all moving parts.
- Be aware of dangerous terrain such as holes, slopes, drop-offs, banks, rocks, and hidden hazards. Operate the tractor and sprayer up and down slopes, not across.
- Allow for sprayer boom length when making turns.
- Remember that accidents can even happen to seasoned operators. Always take your time and follow all safety instructions.



## Towing the Sprayer

- When transporting the sprayer, the sprayer's boom must be in the fully folded position.

# Safety Precautions



## Following Operation

- Completely rinse the entire boom and all of its components of all chemical residue after every use.
- Dispose of rinsate in accordance with chemical application guidelines.

# Operating Instructions

## Before Operation

1. To avoid injury from chemical hazards, wear the proper protective clothing. Each chemical manufacturer's clothing requirements are listed under the "Personal Protective Equipment (PPE)" section in the chemical's instructions.
2. Connect the four hydraulic hoses to the tractor's hydraulic ports. The hydraulic hoses come in pairs for left and right side boom folding. The pairs must be connected together for proper operation.

## During Operation

1. Use the tractor's hydraulic controls to unfold the boom. Be aware of any obstructions that could damage the boom.
2. If the hydraulic boom is not operating smoothly, or it is operating too quickly, you may need to adjust your tractor's hydraulic flow.
3. Adjust the boom height. Begin by putting tension on the cable by slightly turning the winch handle. Once the tension is off of the spring pins, retract the pins and lock them in the retracted position. Now use the winch to adjust the boom to the desired height.
4. With the spring pins properly aligned with one of the adjustment holes on the boom's rear frame, release the spring pins making sure that they are fully inserted into the holes. Now release the tension on the winch so the weight of the boom is on the pins, not the winch.

## Following Operation

1. Before transporting the sprayer, the boom must be completely folded.
2. Before removing the hydraulic hoses, move the tractor's levers to release any hydraulic pressure. Unhook the sprayer and store the sprayer on a hard level surface in a location away from human and livestock activity.

# Maintenance Instructions

## Routine Maintenance

It is very important to perform routine maintenance on your sprayer boom before and after each use. Good maintenance practices will help to guard against any breakdowns or accidents.

Note: Always wear the proper Personal Protective Equipment (PPE) when performing maintenance on your sprayer.

1. It is recommended to perform a visual and physical inspection for worn parts, loose bolts, damaged hoses, or other visible problems. Make all necessary repairs before spraying. To order parts or receive technical help, please contact your local CropCare® dealer.
2. Grease the sprayer's grease points (Page 7) with general-purpose grease on a regular basis.
3. After each use it is important to rinse the boom and all components by running water through the system.
4. Tip strainers should be taken out and rinsed on a regular basis. Tip strainers are the small screens located behind each spray nozzle on the boom (Figure 2).
5. If the sprayer is equipped with individual boom line filters, the screens of the filters should be taken out and rinsed.  
Note: Be careful not to lose the gasket in the filter bowl

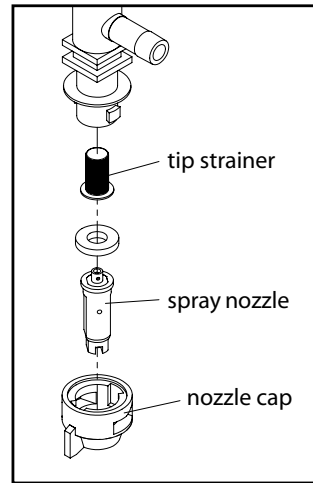


Figure 2: Nozzle breakdown

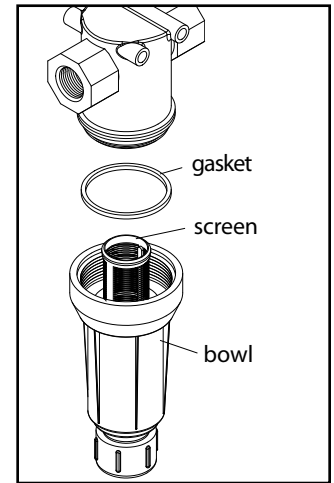


Figure 3: In-line filter

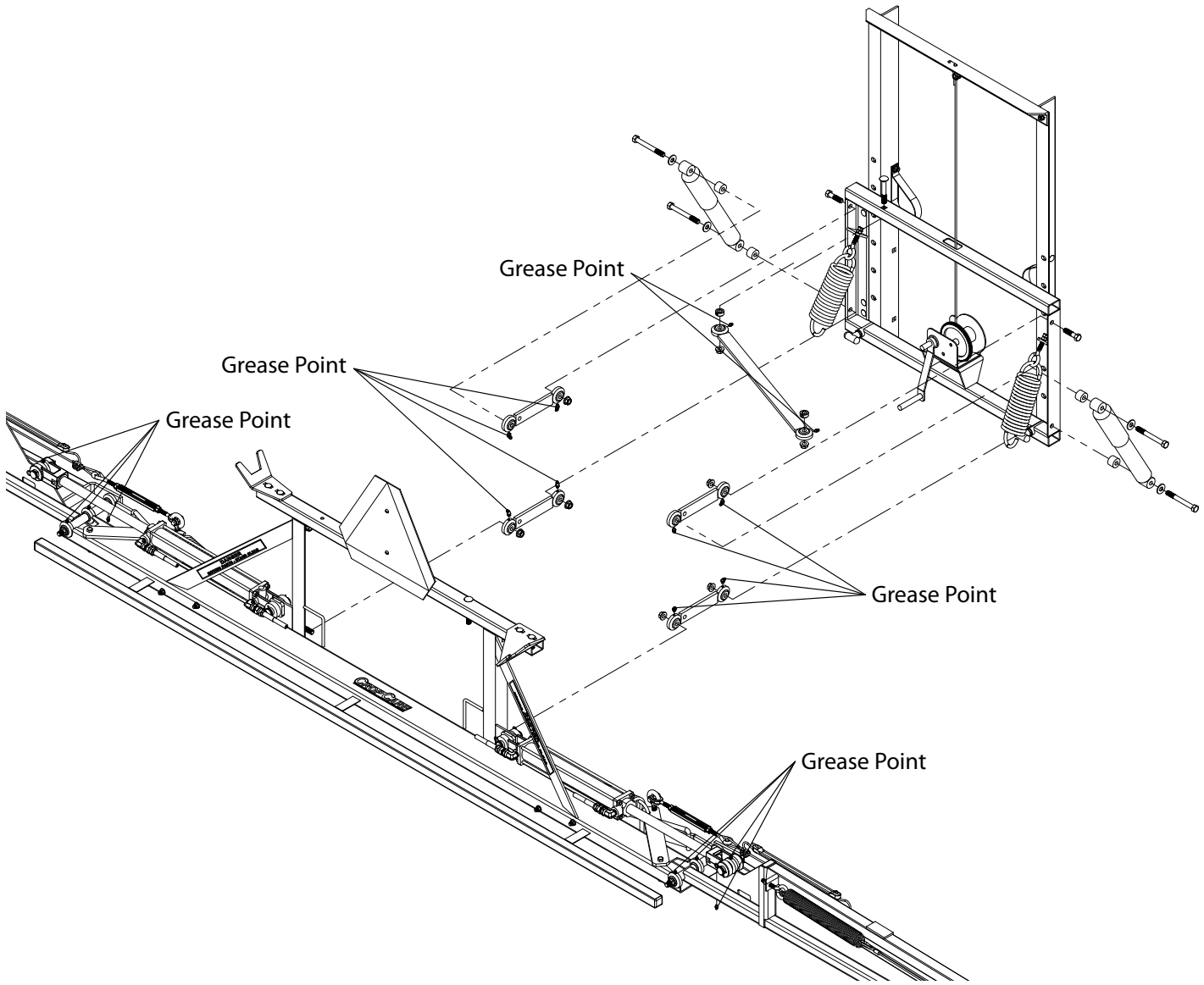
## Winterizing your Sprayer

It is essential that you winterize your sprayer to avoid damage and to allow for optimal performance. The winterization process should be undertaken before freezing conditions and/or after each season of use. Failure to winterize your sprayer will void the manufacturer's warranty.

Note: Please reference your sprayer owners manual for proper winterizing instructions.

# Maintenance Instructions

## Grease Points



# Maintenance Instructions

## Wing adjustments

The boom should be checked yearly for proper operating adjustments. These adjustments affect the wings folding and breakaway capabilities.

- The spring (Item B, Figure 1) on the front side of each wing needs to be set so that the breakaway arm (Item A, Figure 1) is 1/2" from hard stop when the wing is unfolded. This is accomplished by loosening the nuts (Item C, Figure 2) on the turnbuckle (Items D and E, Figure 2) and turning (Item D) while holding the yoke (Item E, Figure 2) in place. When the spring tension is correct retighten the nut (Item E, Figure 2).
- The cable and spring on the backside of each wing needs to be adjusted so that the outer wing folds securely against the stop. If the boom does not fold securely against the stop, loosen the locking nut (Item F, Figure 2) by turning it counter-clockwise, then turn the adjusting nut (Item G, Figure 2) clockwise to increase the spring tension until the boom wing rests securely against the stop.
- The boom stop (Item H, Figure 3) can be adjusted to line up with the outer wing when folded by loosening the nuts (Item I, Figure 3), and moving the stop up or down.

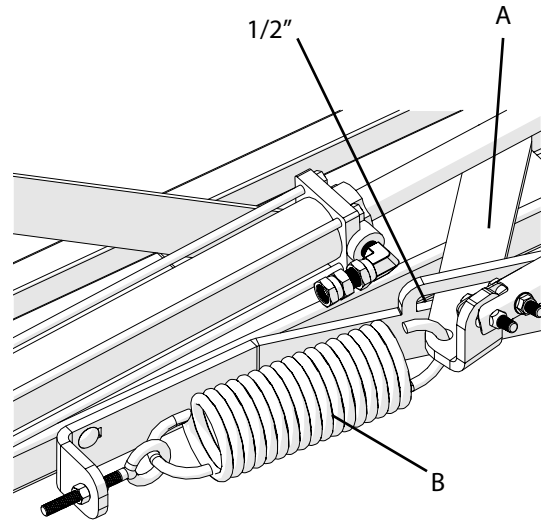


Figure 1

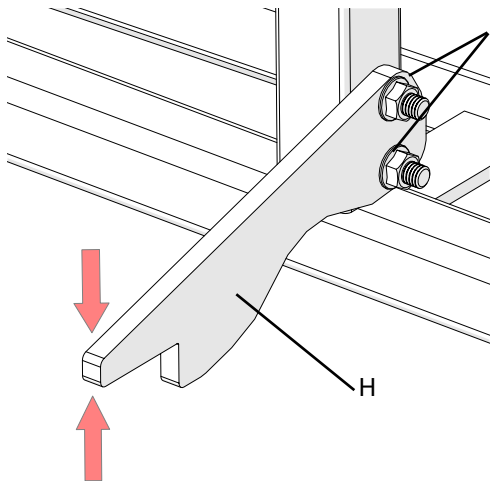


Figure 3

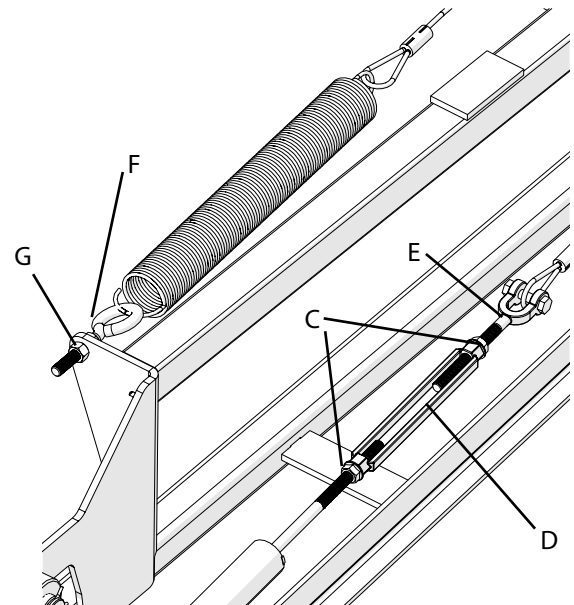


Figure 2

# CropCare<sup>®</sup> Limited Warranty

Hydraulic X-fold Boom, Model HX40

## Warranty Coverage

CropCare<sup>®</sup> hereby provides a Limited Two (2) Year Warranty on the Products manufactured by CropCare<sup>®</sup> that such Products shall be free from manufacturer's defects in any of the Product's components in the 24 month period following the original date of purchase from the authorized dealer (the "Warranty Period"). CROPCARE<sup>®</sup> HEREBY EXCLUDES AND DISCLAIMS ANY AND ALL OTHER WARRANTIES, STATUTORY, EXPRESS OR IMPLIED, INCLUDING WITHOUT LIMITATION ANY IMPLIED WARRANTY OF MERCHANTABILITY OR FITNESS FOR ANY PARTICULAR PURPOSE AND ANY WARRANTY ARISING FROM USAGE OF TRADE OR COURSE OF DEALING. Defective components will be repaired or replaced at the discretion of the manufacturer. It is the responsibility of the purchaser to return warranted components to the manufacturer. This Product Warranty is limited to the repair or replacement of Product components only. CROPCARE<sup>®</sup> IS NOT TO BE HELD LIABLE FOR INCIDENTAL OR CONSEQUENTIAL DAMAGES OF ANY KIND. This Product Warranty covers the purchaser of this Product and any other owners who own it during Warranty Period.

To retain the Product Warranty, the Product must be operated and maintained as set forth by its owner's manual. For warranty service, please have a copy of the purchase invoice available.

## Warranty Is Void if:

1. The Product has been subjected to, in the opinion of CropCare<sup>®</sup>, negligent handling, misuse, an accident or if the instructions in the owner's manual were not completely followed.
2. The Product's components have been altered in any manner or repairs have taken place with unapproved parts.
3. The Product and its components were subject to freezing or freezing conditions. The Product must have been winterized as per the maintenance instructions to retain the Product Warranty.
4. A non-compatible chemical was used and/or if the Product operator failed to rinse all chemical residue out of the Product's components after use.
5. A petroleum-based, oil-based, or flammable product was used and caused damage to the pump, tank, hoses, or any other component.

## Getting Service

All Product Warranty claims must be made through an authorized CropCare<sup>®</sup> dealer. All warranty claims must be submitted with an invoice or a proof of purchase that denotes the purchase date and place of purchase. If you have any questions or comments concerning this warranty, please contact an authorized CropCare<sup>®</sup> dealer.



# Contact Us

We desire to give you continuing service in the best manner possible. This includes listening to your comments, suggestions, and problems. We will do our best to answer all questions thoroughly and in a timely manner. Please feel free to contact our customer service department.

## Ordering Parts

Please contact your authorized CropCare® dealer to order replacement parts for your product.



Manufactured by PBZ LLC  
A Paul B Zimmerman Inc. Company

295 Wood Corner Road  
Lititz PA 17543  
(717) 738-7365  
Fax (717) 738-7375  
[www.CropCareEquipment.com](http://www.CropCareEquipment.com)