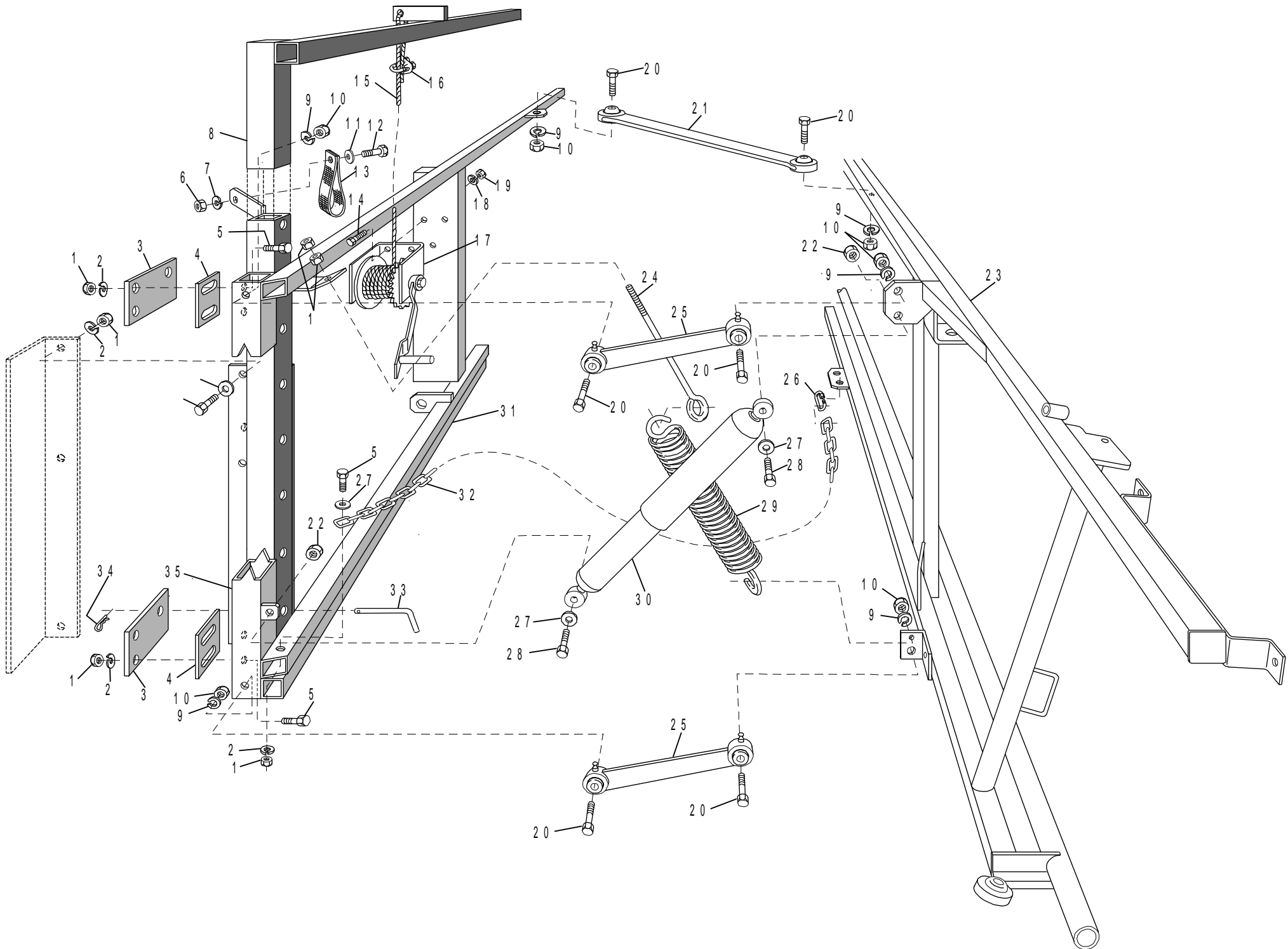


CROPCARETM

Equipment Built For You

PaulB LLC | 50 Woodcorner Road | Lititz PA 17543 | (717) 738-7350
www.CropCareEquipment.com

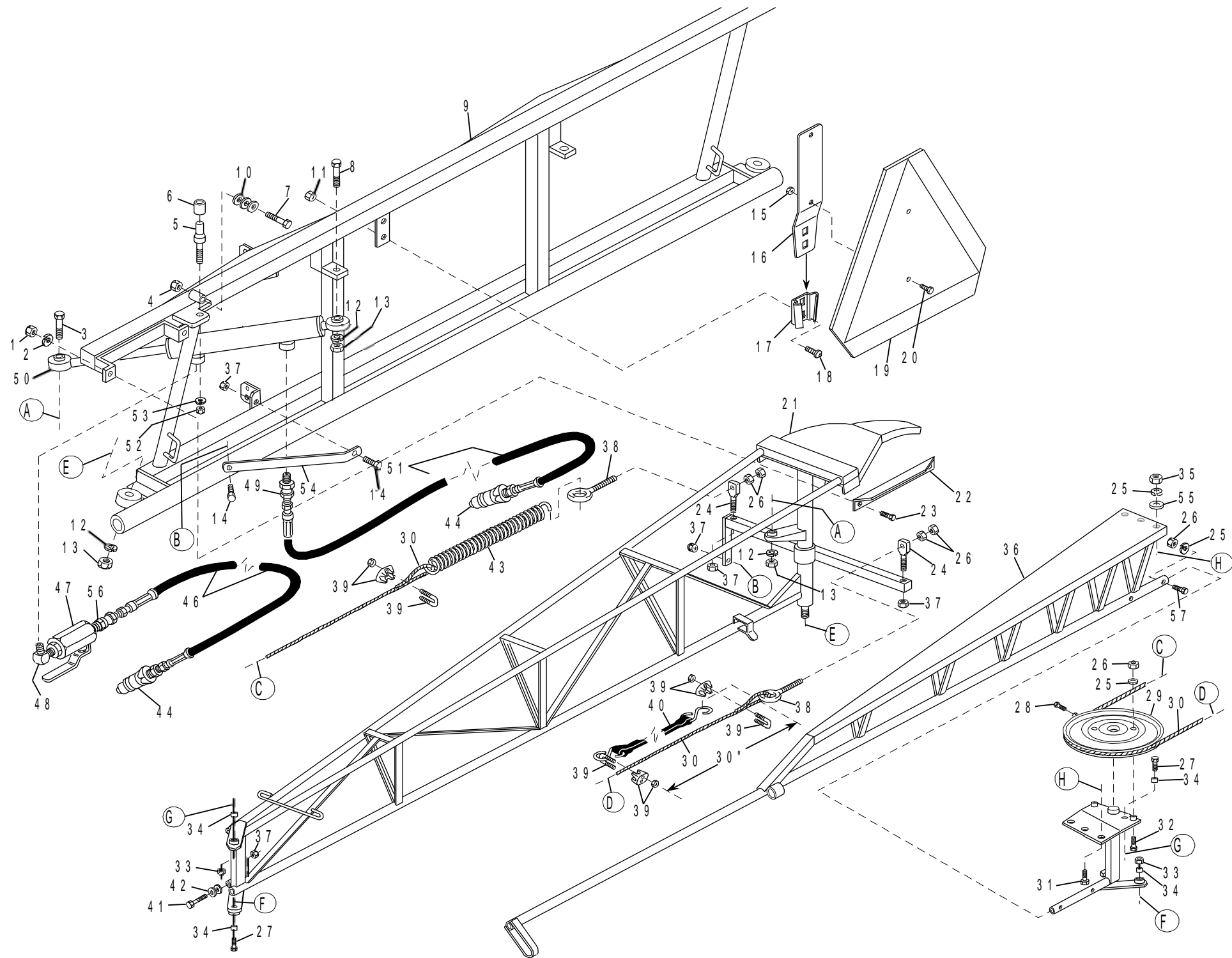
Model # BF60D
60' Hydraulic Fold Boom



BF60D - part 1

Ref#	Qty	Part#	Description
1	20	NC12	1/2" nut
2	16	LW12	1/2" lock washer
3	4	BF45D24	Slider clip
4	4	BF45D25	Slider clip spacer
5	16	H5C12*114	1/2" x 1-1/4" bolt
6	2	NC516	5/16" nut
7	2	LW516	5/16" lock washer
8	1	BF45D26	Front vertical frame
9	10	LW34	3/4" lock washer
10	10	NC34	3/4" nut
11	2	FW516	5/16" flat washer
12	2	H5C516*114	5/16" x 1-1/4" bolt
13	2	11000	1"x 18" nylon strap
14	3	H5C38*3	3/8" x 3" bolt
15	1	CB14S	1/4" x 7' ss cable
16	1	WRC14	1/4" cable clamp
17	1	DLB2500	2500# hand winch

Ref#	Qty	Part#	Description
18	3	LW38	3/8" lock washer
19	3	NC38	3/8" nut
20	10	H5C34*212	3/4" x 2-1/2" bolt
21	1	BF45D22	Top link
22	4	NNC12	1/2" lock nut
23	1	BF45D44	Center frame
24	2	N221325	1/2" x 8" eye bolt
25	4	BF45D21	Side link
26	2	50838	3/8" quick link
27	6	FW12	1/2" flat washer
28	4	H5C12*212	1/2" x 2-1/2" bolt
29	2	B119	Boom suspension springs
30	2	36081	Shock absorber
31	1	BF45D23	Slider frame
32	2	0140623	3/8" x 20" chain
33	2	01410	1/2" bent pin
34	2	CP158	Clip pin



BF60D - part 2

Ref#	Qty	Part#	Description
1	4	NC12	1/2" nut
2	4	LW12	1/2" lock washer
3	2	H5C1*312	1" x 3-1/2" bolt
4	2	NC34	3/4" nut
5	2	BF45C20	Guide pin
6	2	BF45C19	Guide bushing
7	2	H5C34*3	3/4" x 3" bolt
8	2	H5C1*212	1" x 2-1/2" bolt
9	1	BF45D44	Center frame
10	6	MW34	3/4" machinery washer
11	2	NC516	5/16" nut
12	6	LW1	1" lock washer
13	6	NC1	1" nut
14	4	H5C12*112	1/2" x 1-1/2" bolt
15	2	NC14	1/4" nut
16	1	SMVB	SMV sign spade
17	1	SMVS	SMV socket
18	2	CB516*1	5/16" x 1" carriage bolt
19	1	SMVP	SMV sign
20	2	SBR14*12	1/4" x 1/2" stove bolt
21	1	BF60C6L	Inner boom left
	1	BF60C6R	Inner boom right (not shown)
22	2	BF45C18	Upper boom guide
23	4	H5C12*114	1/2" x 1-1/4" bolt
24	4	BF45C9	Cable mounting bolt
25	14	LW38	3/8" lock washer
26	12	NC38	3/8" nut
27	4	H5C58*3	5/8" x 3" bolt
28	2	H5C38*1	3/8" x 1" bolt
29	2	BF60C11	Cable pulley

Ref#	Qty	Part#	Description
30	2		Stainless cable 3/16" x 342"
31	6	H8F38*114	3/8" x 1-1/4" fine thread bolt
32	4	H5C38*112	3/8" x 1-1/2" bolt
33	4	NNC58	5/8" lock nut
34	8	075062075	5/8" x 3/4" steel bushing
35	6	NF38G8	3/8" fine thread nut
36	1	BF60C12L	Outer boom left
	1	BF60C12R	Outer boom right (not shown)
37	10	NNC12	1/2" lock nut
38	4	N221283	3/8" x 6" eye bolt
39	6	WRC316	3/16" cable clamp
40	2	TS15	15" tarp strap
41	2	H5C12*314	1/2" x 3-1/4" bolt
42	8	FW12	1/2" flat washer
43	2	B118	2" x 22-1/2" spring
44	4	S71-4	Hydraulic coupler tip
46	2	AG-04	1/4" x 24.5' hyd. hose, 3/8" X 1/2" MPT
47	2	7310201	3/8" hydraulic ball valve
48	2	5500-06-06	3/8" mnpt hydraulic elbow
49	2	1404R-06-06-.025	3/8" npt hydraulic orifice
50	2	20CW14-112	2" x 14" hydraulic cylinder
51	2	AG-04	1/4" x 23.5' hyd. Hose, 3/8" X 1/2" MPT
52	2	NF78	7/8" fine nut
53	2	LW78	7/8" lock washer
54	2	BF60D7	Control arm link
55	6	FW38G8	3/8" flat washer grade 8
56	2	1404R-06-06-.025	3/8" npt hydraulic orifice
57	4	H5C38*212	3/8" x 2-1/2" bolt
58	1	BF60C13L	Boom hinge left
	1	BF60C12R	Boom hinge right (not shown)