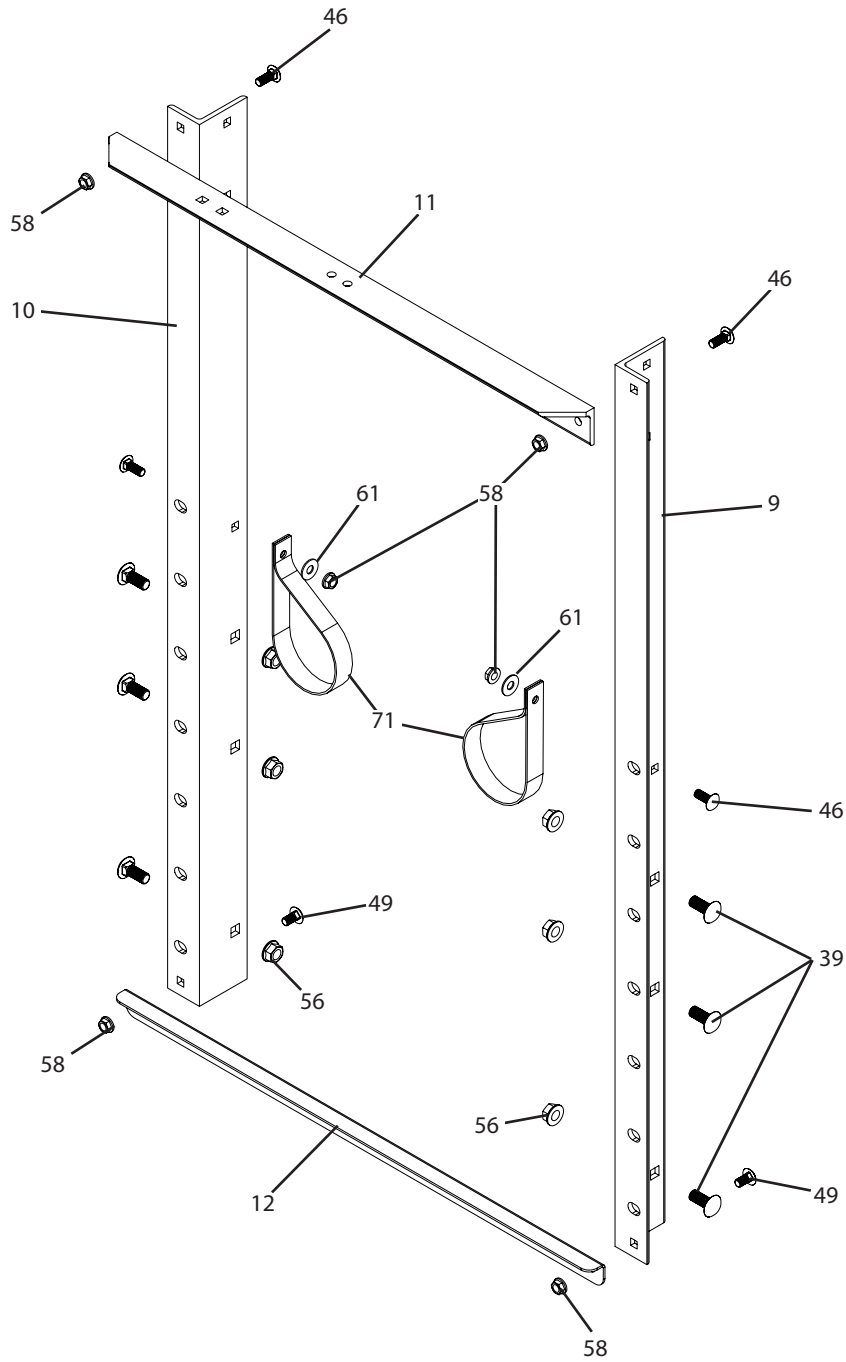


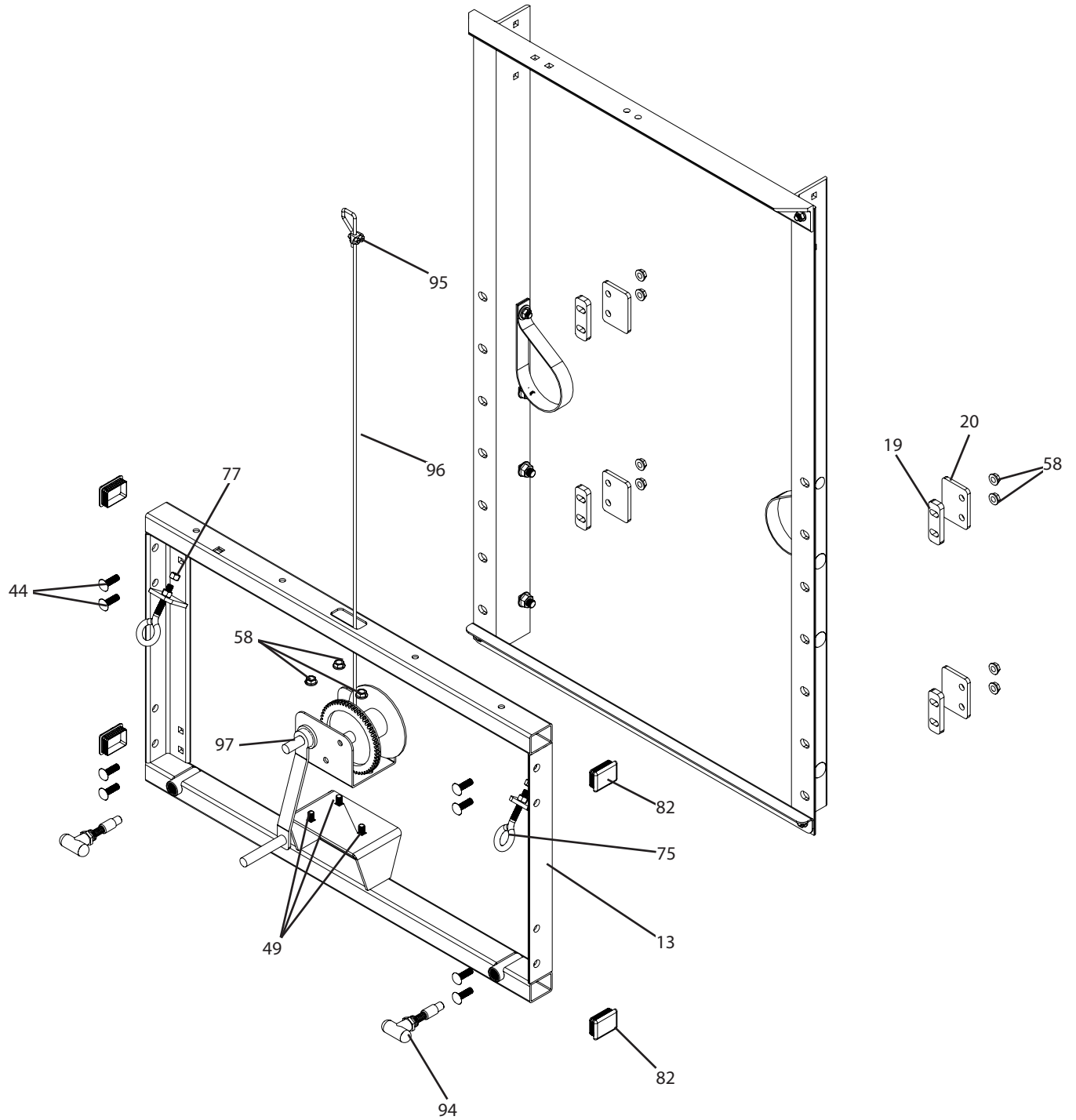
HX45 Breakdown

Boom, 45' X-Fold Hydraulic



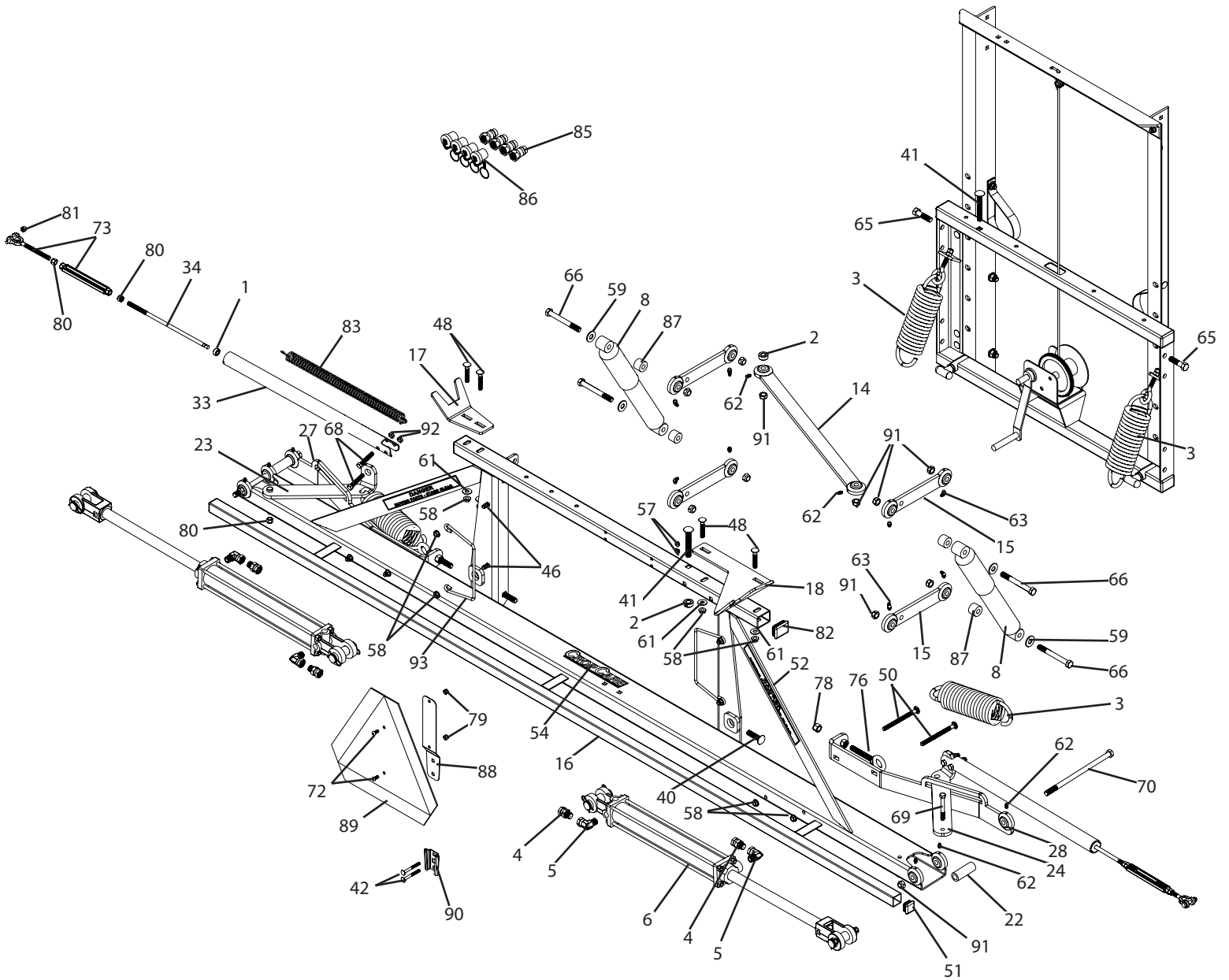
HX45 Breakdown

Boom, 45' X-Fold Hydraulic

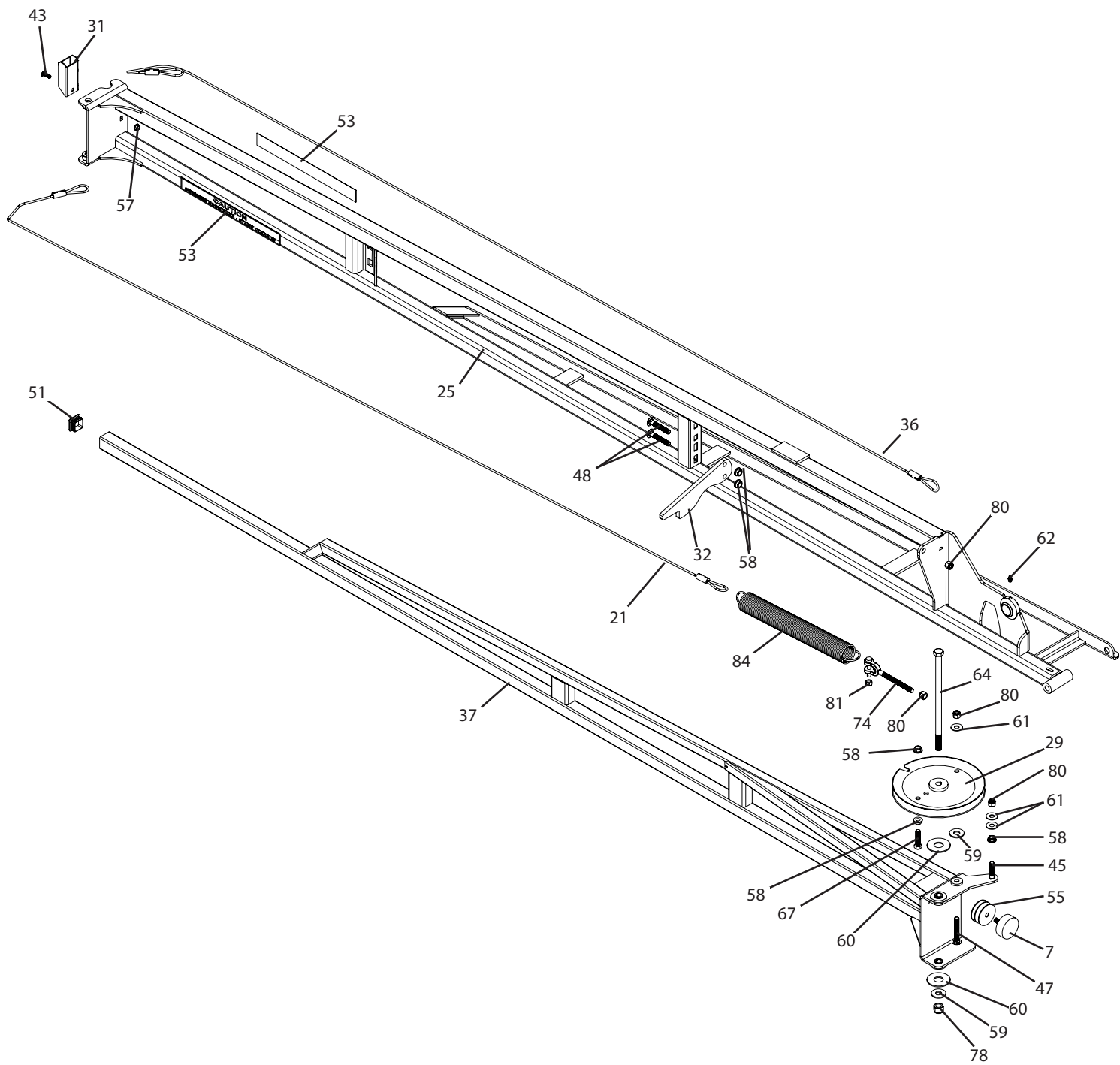


HX45 Breakdown

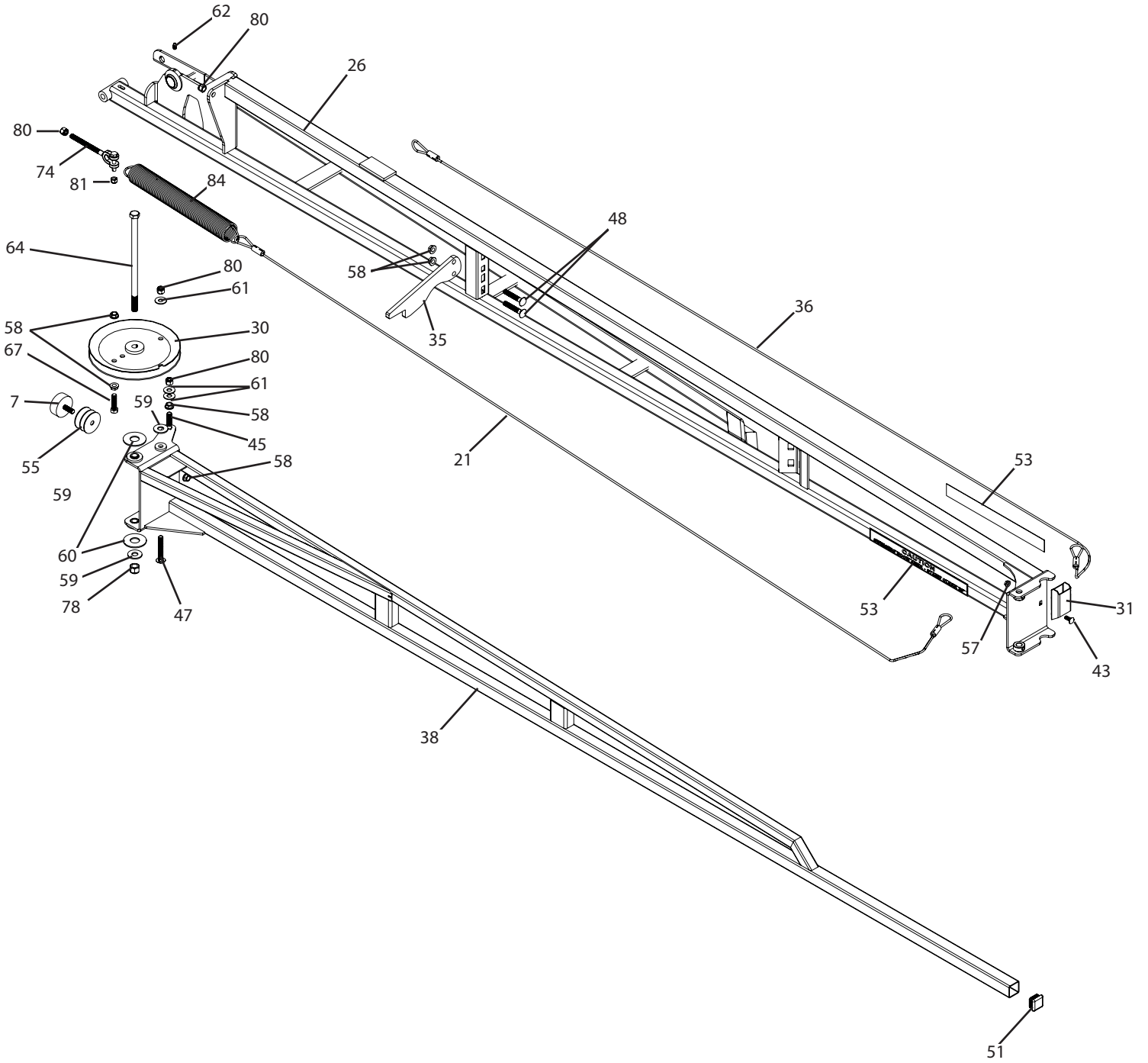
Boom, 45' X-Fold Hydraulic



HX45 Breakdown



HX45 Breakdown



HX45 Breakdown

Ref #	Qty.	Part Numbers	Description
1	2	0375P	Shaft Collar, 3/8"
2	2	0500P	Shaft Collar, 1/2"
3	4	12978	Spring, Extension 3" x 10"
4	4	1404R-06-06-.032	Restrictor, Hyd 0.032 Orifice 3/8" MPT x 3/8" FPT Swivel
5	4	1501-06-06	Elbow, Hyd. 90° 3/8" MPT x 3/8" FPT Swivel
6	2	20TX14-112	Cylinder, Hyd Black 2" Bore x 14" Stroke 2500 PSI,
7	2	2NPG6	Mount, Rubber 2" O.D. 3/8-16 Stud
8	2	36081	Shock, Absorber HD
9	1	BF30HB10	Upright angle, right
10	1	BF30HB11	Upright angle, left
11	1	BF30HB12	Top angle
12	1	BF30HB12A	X-Fold boom vertical frame, bottom brace
13	1	BF30HB13	Boom slider frame
14	1	BF30HB14	Link, Top Shock Frame
15	4	BF30HB15	Link, Side Shock Frame
16	1	BF30HB16	Center frame, 30ft, 40ft, 45ft booms
17	1	BF30HB21	Prop, Boom Left
18	1	BF30HB22	Prop, Boom Right
19	4	BF30HB23	Spacer, Slide Clip
20	4	BF409	Clip, Side Boom
21	2	BF40H18	Cable, Wire SS 5/32" Return BF40H
22	2	BF40H19	X-fold Boom, Hinge Spacer
23	1	BF40H20	Breakaway spring mount
24	1	BF40H21	Spring Link, Breakaway, right
25	1	BF40H24	Inner wing, left, 40ft, 45ft, X-fold
26	1	BF40H25	Inner wing, right, 40ft, 45ft, X-fold
27	1	BF40H26	Spring Mount, Breakaway Left
28	1	BF40H27	Spring Mount, Breakaway Right
29	1	BF45XA01	45' boom, pulley weldment, left
30	1	BF45XA02	45' boom, pulley weldment, right
31	2	BF45XA06	Wing stop spacer
32	1	BF45XA07	Wing fold stop, left
33	2	BF45XA08	45' X-fold boom, Cable sleeve
34	2	BF45XA09	Cable adjustment, Rod, Plated
35	1	BF45XA10	Wing fold stop, right
36	2	BF45XA11	Cable, Boom Front 40 - 45 Ft X-Fold
37	1	BF45XA14	45ft Boom, Outer Wing, Left
38	1	BF45XA15	45ft Boom, Outer Wing, Right
39	6	CB12*114G5	Bolt, Carriage 1/2-13 x 1-1/4" Gr 5
40	2	CB12*2G5	Bolt, Carriage 1/2-13 x 2" Gr 5

HX45 Breakdown

Ref #	Qty.	Part Numbers	Description
41	2	CB12*312G5	Bolt, Carriage 1/2-13 x 3-1/2" Gr 5
42	2	CB14*212G5	Bolt, Carriage 1/4-20 x 2-1/2" Gr 5
43	2	CB14*34	Bolt, Carriage 1/4-20 x 3/4" Gr 2
44	8	CB38*114G5	Bolt, Carriage 3/8-16 x 1-1/4" Gr 5
45	2	CB38*134G5	Bolt, Carriage 3/8-16 x 1-3/4" Gr 5
46	8	CB38*1G5	Bolt, Carriage 3/8-16 x 1" Gr 5
47	2	CB38*212G5	Bolt, Carriage 3/8-16 x 2-1/2" Gr 5
48	8	CB38*214G5	Bolt, Carriage 3/8-16 x 2-1/4" Gr 5
49	5	CB38*34G5	Bolt, Carriage 3/8-16 x 3/4" Gr 5
50	4	CB38*5G5	Bolt, Carriage 3/8-16 x 5" Gr 5
51	4	CC5520	Plug, Poly Square 1-1/4" x 14-20 Ga Blk
52	2	DE24	Decal, "Danger Moving Parts Stand Clear"
53	4	DE26	Decal, "Caution Swinging Boom Area"
54	1	DE46	Decal, CropCare Logo 1.9" x 8.8"
55	6	FDW38*2	Washer, Fender 3/8" ID x 2" OD
56	6	FN12	Nut, Flange 1/2-13
57	4	FN14	Nut, Flange 1/4-20
58	41	FN38	Nut, Flange 3/8-16
59	8	FW12	Washer, Flat 1/2" USS
60	4	FW34	Washer, Flat 3/4"
61	12	FW38	Washer, Flat 3/8"
62	10	GF101	Fitting, Grease 1/4-28 Straight
63	8	GF102	Fitting, Grease 1/4-28 - 45°
64	2	H5C12*10	Bolt, Hex 1/2-13 x 10" Gr 5
65	2	H5C12*2	Bolt, Hex 1/2-13 x 2" Gr 5
66	4	H5C12*412	Bolt, Hex 1/2-13 x 4-1/2" Gr 5
67	2	H5C38*112	Bolt, Hex 3/8-16 x 1-1/2" Gr 5
68	4	H5C38*2	Bolt, Hex 3/8-16 x 2" Gr 5
69	2	H5C38*3	Bolt, Hex 3/8-16 x 3" Gr 5
70	2	H8C12*10	Bolt, Hex 1/2-13 x 10" Gr 8
71	2	HS1000	Hose Holder, Nylon Strap
72	2	MR14*58	Screw, Machine Rd Hd 1/4-20 x 5/8" Phillips Drive
73	2	N177350	Turnbuckle, Jaw & Jaw 3/8" x 6" Galv
74	2	-----	Turnbuckle, Jaw, RH thread (Included in N177350 (1 each))
75	2	N221267	Bolt, Eye Closed 3/8-16 x 4" Zinc
76	2	N245159	Eye bolt, 1/2" x 3 1/4", 5" overall, galvanized, 2,200 lbs
77	2	NC38	Nut, Hex 3/8-16
78	4	NNC12	Nut, Lock Nylon 1/2-13
79	2	NNC14	Nut, Lock Nylon 1/4-20
80	14	NNC38	Nut, Lock Nylon 3/8-16

HX45 Breakdown

Ref #	Qty.	Part Numbers	Description
81	4	NNC516	Nut, Lock Nylon 5/16-18
82	6	PPRE112*2*10-14	Plug, Plastic 1-1/2" x 2" x 10-14 Ga Black
83	2	S-303	Spring, Extension 1.0" x 12.0" x .105" Zinc
84	2	S-359	Spring, Extension 1-3/4" x 14" x 0.207"
85	4	S71-4P	Tip, Hyd Male 1/2" FPT Fits S20-S40-S70
86	4	S49-4	Cap, Dust Hyd 1/2" Fits S20-S40-S70
87	4	SHOCKSPACER	Spacer, Shock
88	1	SMVB	Spade, SMV
89	1	SMVM	Sign, SMV Metal 14" x 16"
90	1	SMVS	Socket, SMV with hardware
91	12	SNC12	Nut, Lock Steel 1/2-13
92	4	SNC38	Nut, Lock Steel 3/8-16
93	2	T486	Guide, Hose Small Trailer
94	2	K320PLOBBA +	Pin, Pull w/T-Handle 1/2" w/Lock-Out (No barrel)
95	1	04006 +	Clamp, Wire Rope 3/16" SS
96	1	BC004 +	Cable, Wire SS Boom Lift 30' & 40' 3/16"
97	1	DLB800 +	Winch, Manual 800 lb Capacity w/Brake

+ Not used when equipped with hydraulic height adjustment.