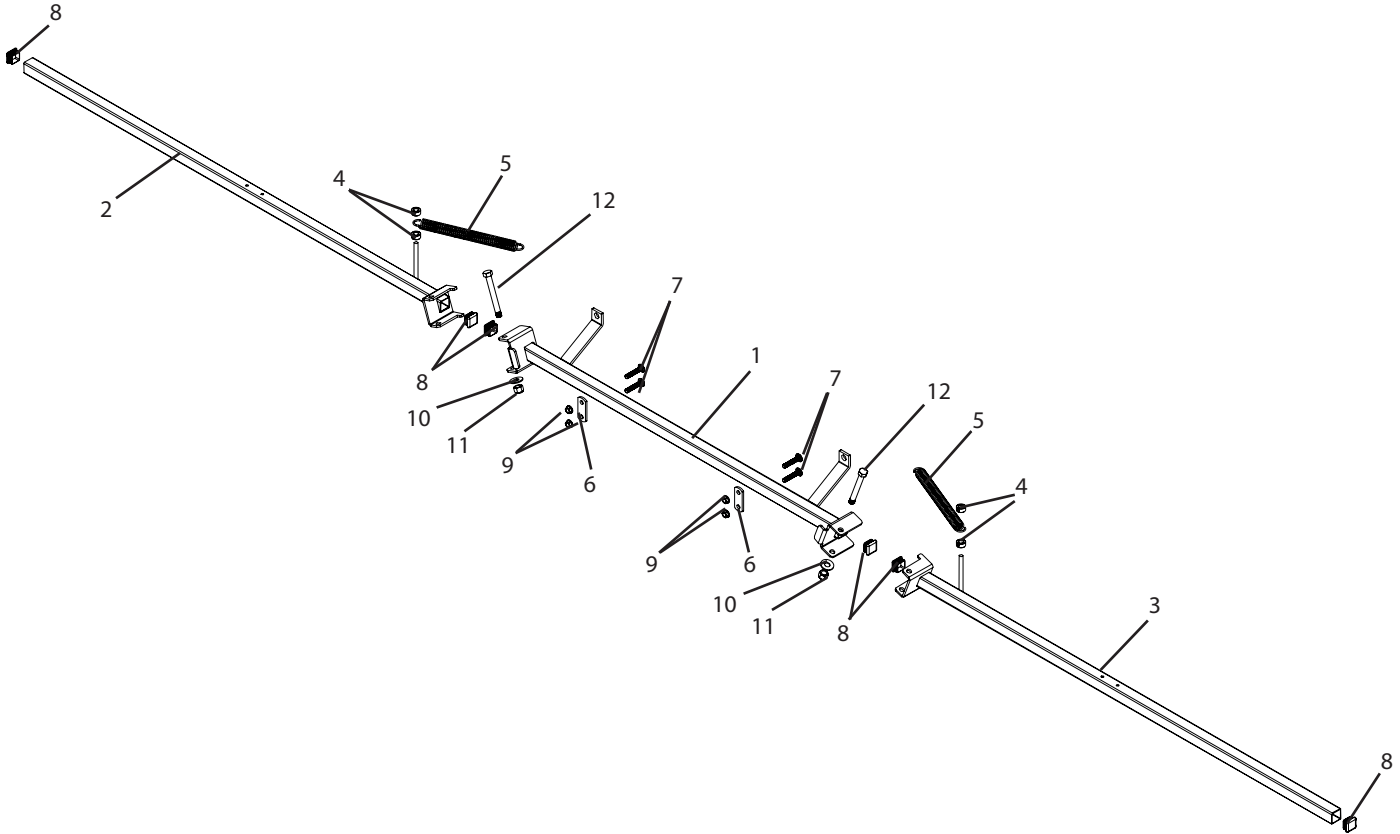


BF12M Breakdown

Boom, 160" Manual Fold



Ref#	Qty.	Part Number	Description
1	1	BF1211	Boom center section
2	1	BF1212L	Boom wing, left
3	1	BF1212R	Boom wing, right
4	4	0438P	Shaft Collar, 7/16"
5	2	33*TS	Spring, Extension 1" x 8" (8.5" OAL)
6	2	BF1210	Boom mounting clip, 12' boom, black
7	4	CB38*214G5	Bolt, Carriage 3/8-16 x 2-1/4" Gr 5
8	6	CC5520	Plug, Poly Square 1-1/4" x 14-20 Ga Blk
9	4	FN38	Nut, Flange 3/8-16
10	2	FW12	Washer, Flat 1/2" USS
11	2	NNC12	Nut, Lock Nylon 1/2-13
12	2	BF1213	Bolt, Hinge 1/2-13 x 4-1/4"

*Component parts breakdowns are available for the indicated components.