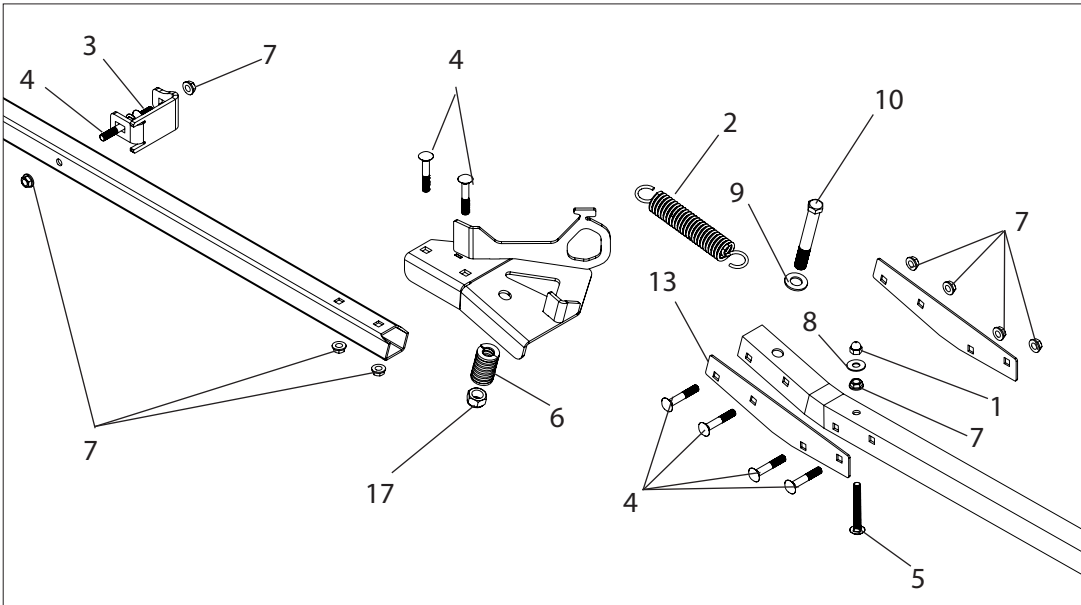
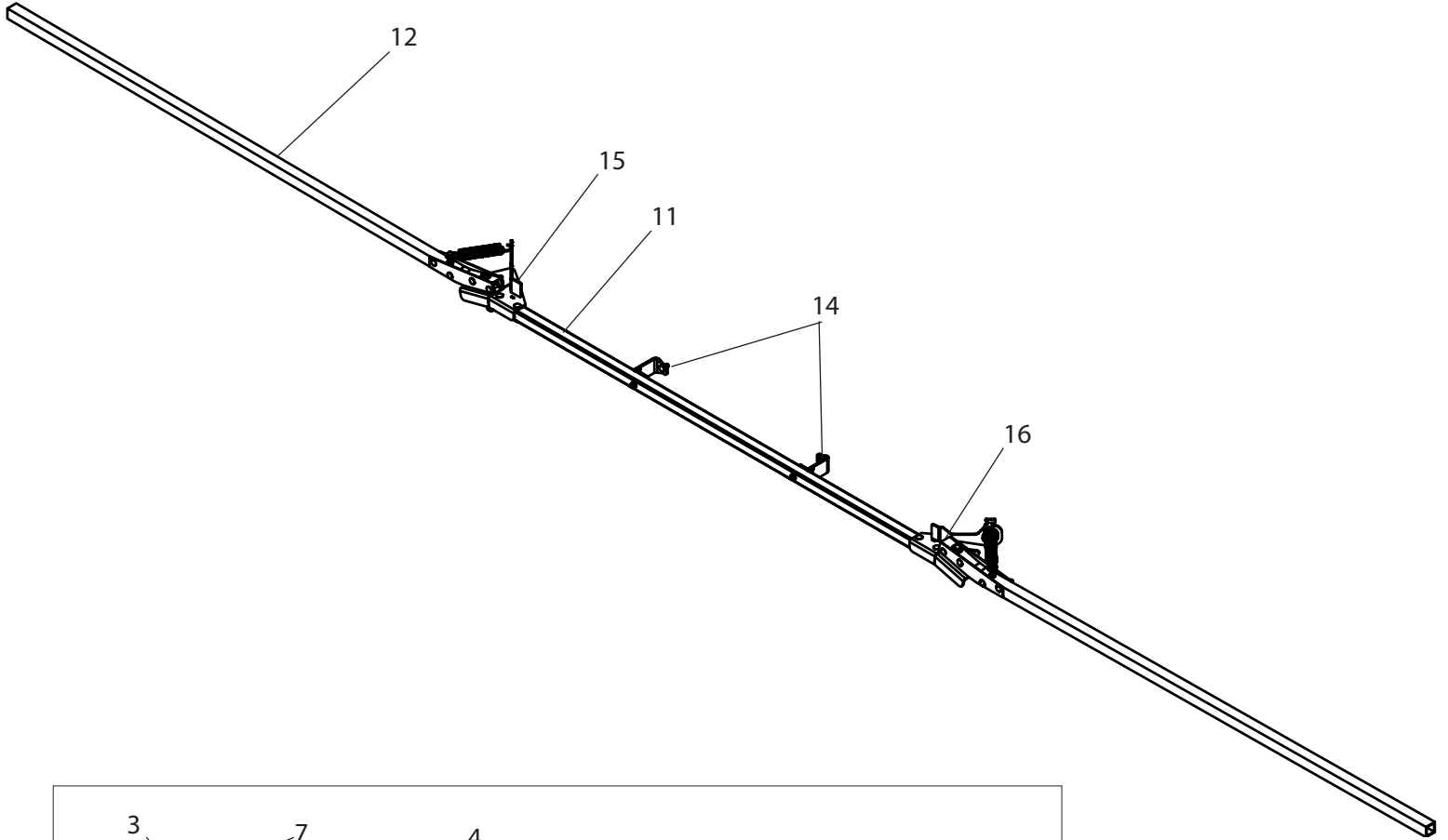


MX240 Breakdown

20' Manual Fold Boom



MX240 Breakdown

20' Manual Fold Boom

Ref#	Qty.	Part Number	Description
1	2	AN38	Nut, Acorn 3/8-16
2	2	C-267	Spring, Hard Drawn Zinc, 26 lbs/in
3	2	CB38*1G5	Bolt, Carriage 3/8-16 x 1" Gr 5
4	14	CB38*214G5	Bolt, Carriage 3/8-16 x 2-1/4" Gr 5
5	2	CB38*3G5	Bolt, Carriage 3/8-16 x 3" Gr 5
6	2	D-1247	Die Spring, 0.625" rod diameter, 639 lbs max deflection force
7	18	FN38	Nut, Flange 3/8-16
8	2	FW38	Washer, Flat 3/8"
9	2	SW58	Washer, Flat 5/8" SAE
10	2	H5C58*412	Bolt, Hex 5/8-11 x 4-1/2" Gr 5
11	1	MX2020	20' Manual Fold Boom, Center Frame
12	2	MX2021	20' Manual Fold Boom, Aluminum Wing
13	4	MX2022	20' Manual Fold Boom, Wing Support Bracket
14	2	MX2023	20' Manual Fold Boom, Mount Bracket
15	1	MX2024	20' Manual Fold Boom, boom hinge, left
16	1	MX2025	20' Manual Fold Boom, boom hinge, right
17	2	NNC58	Nut, Lock Nylon 5/8-11