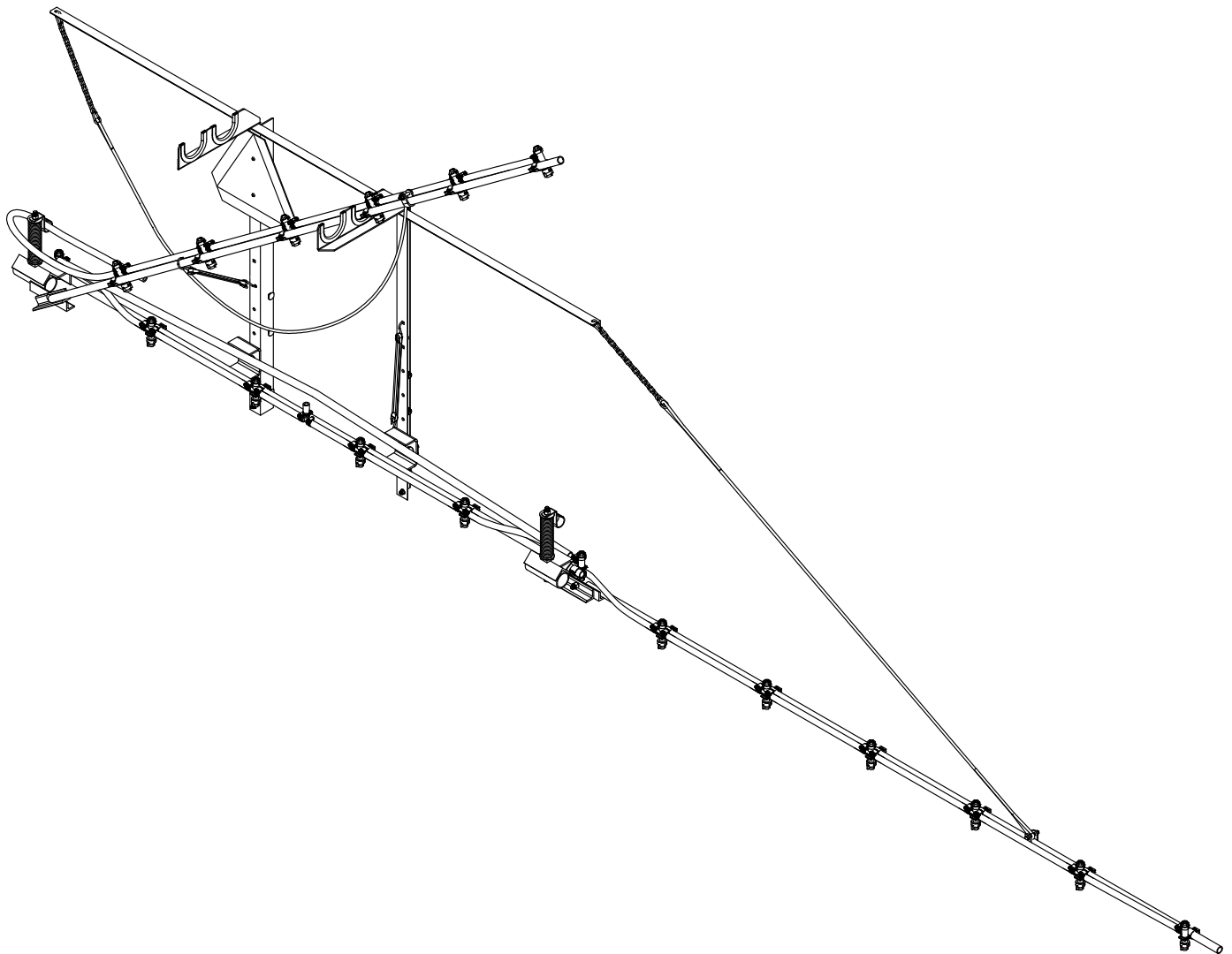




Owner's Manual

30' Manual Fold Boom



PBZ LLC | 295 Wood Corner Rd | Lititz PA 17543
www.CropCareEquipment.com | (717) 738-7365
A Paul B Zimmerman Inc. Company

Form MX30OM
Rev. Date 08/15

Thank you for purchasing this CropCare® product. This owners manual contains helpful information regarding the installation, operation and maintenance of your product. For parts and service please contact your local CropCare® dealer.

Table Of Contents

| | | | |
|--------------------------------|---|---------------------------------|---|
| Before You Begin..... | 3 | Routine Maintenance..... | 5 |
| Safety Precautions..... | 3 | Winterizing your Sprayer | 5 |
| Before Operation | 3 | CropCare® Limited Warranty..... | 6 |
| During Operation | 4 | Notes..... | 7 |
| Following Operation | 4 | Contact Us..... | 8 |
| Towing the Sprayer | 4 | Ordering Parts..... | 8 |
| Operating Instructions | 4 | | |
| Operation | 4 | | |
| Maintenance Instructions | 5 | | |

Before You Begin



Please read and understand this manual and its instructions and warnings completely before operating.

- Be aware of all safety guidelines, warnings, and cautions including those of the tractor manufacturer.
- Read and understand the chemical manufacturer's labels, warnings, and instructions.
- Know and fulfill all state pesticide applicator license requirements.
- Familiarize yourself and other operators with the sprayer's components and how all parts are operated.

Safety Precautions



Before Operation

- Be aware of the location of all the safety and warning decals. Always replace any decals that are illegible or are missing.
- Carefully study and understand this owner's manual.
- Perform a visual inspection for worn parts, loose bolts, or other visible problems, and make any necessary repairs. See the maintenance section (page 5).
- All maintenance should be performed with the sprayer unhooked from the tractor and clean of any harmful chemicals.
- Make sure the area is clear of any people or obstructions before using the sprayer.

Safety Precautions



During Operation

- To avoid injury from chemical hazards, wear the proper protective clothing. Each chemical manufacturer's clothing requirements are listed under the "Personal Protective Equipment (PPE) section in the chemical's instructions
- Always be aware of bystanders, particularly children! Always look before moving the sprayer or engaging the pump. Bystanders should never be allowed near the sprayer during operation.
- Be aware of dangerous terrain such as holes, slopes, drop-offs, banks, rocks, and hidden hazards. Operate the tractor and sprayer up and down slopes, not across.
- Allow for sprayer boom length when making turns.
- Remember that accidents can even happen to seasoned operators. Always take your time and follow all safety instructions.



Following Operation

- Completely rinse the entire boom and all of its components of all chemical residue after every use.
- Dispose of rinsate in accordance with chemical application guidelines.



Towing the Sprayer

- When transporting the sprayer, the sprayer's boom must be in the fully folded position, and is secured with the included rubber tie down straps.

Operating Instructions

Operation

1. Unhook the rubber tie down straps that secure the boom wings when in the folded position.
2. Unfold the boom by lifting the boom wing out of the boom cradle, lowering the wing, and then pulling the boom wing towards the rear of the sprayer as shown (Figure 1).
3. Note: Do not pull on the boom hoses or nozzle bodies, as this could cause damage to the components.
4. Engage the boom by operating the sprayer's control valve(s).

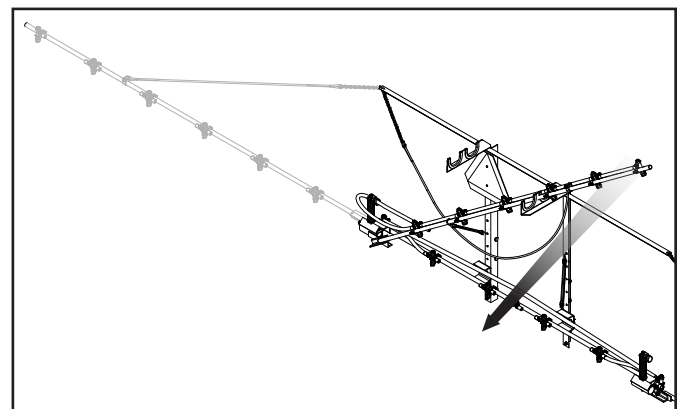


Figure1:Unfoldingtheboom

Maintenance Instructions

Routine Maintenance

It is very important to perform routine maintenance on your sprayer boom before and after each use. Good maintenance practices will help to guard against any breakdowns or accidents.

Note: Always wear the proper Personal Protective Equipment (PPE) when performing maintenance on your sprayer.

1. It is recommended to perform a visual and physical inspection for any worn parts, loose bolts, damaged hoses, or other visible problems. Make all necessary repairs before spraying. To order parts or receive technical help, please contact your local CropCare® dealer.
2. After each use it is important to rinse the boom and all components by running water through the entire system.
3. Tip strainers should be taken out and rinsed on a regular basis. Tip strainers are the small screens located behind each spray nozzle on the boom (Figure 2).
4. If the sprayer is equipped with individual boom line filters, the screens of the filters should be taken out and rinsed. Note: Be careful not to lose the gasket in the filter bowl as the filter will leak without this gasket (Figure 3).

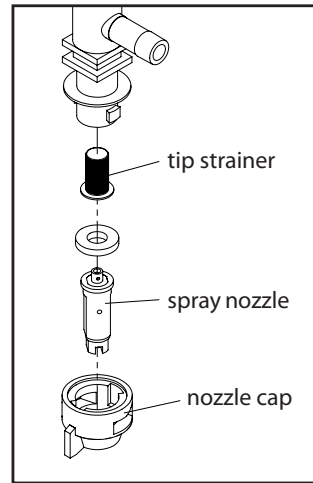


Figure 2: Nozzle breakdown

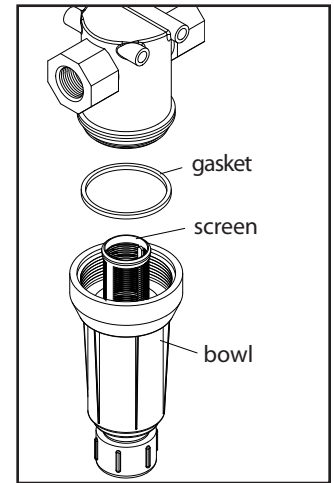


Figure 3: In-line filter

Winterizing your Sprayer

It is essential that you winterize your sprayer to avoid damage and to allow for optimal performance. The winterization process should be undertaken before freezing conditions and/or after each season of use. Failure to winterize your sprayer will void the manufacturer's warranty.

Note: Please reference your sprayer owners manual for proper winterizing instructions.

CropCare[®] Limited Warranty

Manual Fold Boom: model MX30

Warranty Coverage

CropCare[®] hereby provides a Limited Two (2) Year Warranty on the Products manufactured by CropCare[®] that such Products shall be free from manufacturer's defects in any of the Product's components in the 24 month period following the original date of purchase from the authorized dealer (the "Warranty Period"). CROPCARE[®] HEREBY EXCLUDES AND DISCLAIMS ANY AND ALL OTHER WARRANTIES, STATUTORY, EXPRESS OR IMPLIED, INCLUDING WITHOUT LIMITATION ANY IMPLIED WARRANTY OF MERCHANTABILITY OR FITNESS FOR ANY PARTICULAR PURPOSE AND ANY WARRANTY ARISING FROM USAGE OF TRADE OR COURSE OF DEALING. Defective components will be repaired or replaced at the discretion of the manufacturer. It is the responsibility of the purchaser to return warranted components to the manufacturer. This Product Warranty is limited to the repair or replacement of Product components only. CROPCARE[®] IS NOT TO BE HELD LIABLE FOR INCIDENTAL OR CONSEQUENTIAL DAMAGES OF ANY KIND. This Product Warranty covers the purchaser of this Product and any other owners who own it during Warranty Period.

To retain the Product Warranty, the Product must be operated and maintained as set forth by its owner's manual. For warranty service, please have a copy of the purchase invoice available.

Warranty Is Void if:

1. The Product has been subjected to, in the opinion of CropCare[®], negligent handling, misuse, an accident or if the instructions in the owner's manual were not completely followed.
2. The Product's components have been altered in any manner or repairs have taken place with unapproved parts.
3. The Product and its components were subject to freezing or freezing conditions. The Product must have been winterized as per the maintenance instructions to retain the Product Warranty.
4. A non-compatible chemical was used and/or if the Product operator failed to rinse all chemical residue out of the Product's components after use.
5. A petroleum-based, oil-based, or flammable product was used and caused damage to the pump, tank, hoses, or any other component.

Getting Service

All Product Warranty claims must be made through an authorized CropCare[®] dealer. All warranty claims must be submitted with an invoice or a proof of purchase that denotes the purchase date and place of purchase. If you have any questions or comments concerning this warranty, please contact an authorized CropCare[®] dealer.

Contact Us

We desire to give you continuing service in the best manner possible. This includes listening to your comments, suggestions, and problems. We will do our best to answer all questions thoroughly and in a timely manner. Please feel free to contact our customer service department.

Ordering Parts

Please contact your authorized CropCare® dealer to order replacement parts for your product.

CROPCARE
by PBZ®

Manufactured by PBZ LLC
A Paul B Zimmerman Inc. Company

295 Wood Corner Road
Lititz PA 17543
(717) 738-7365
Fax (717) 738-7375
www.CropCareEquipment.com