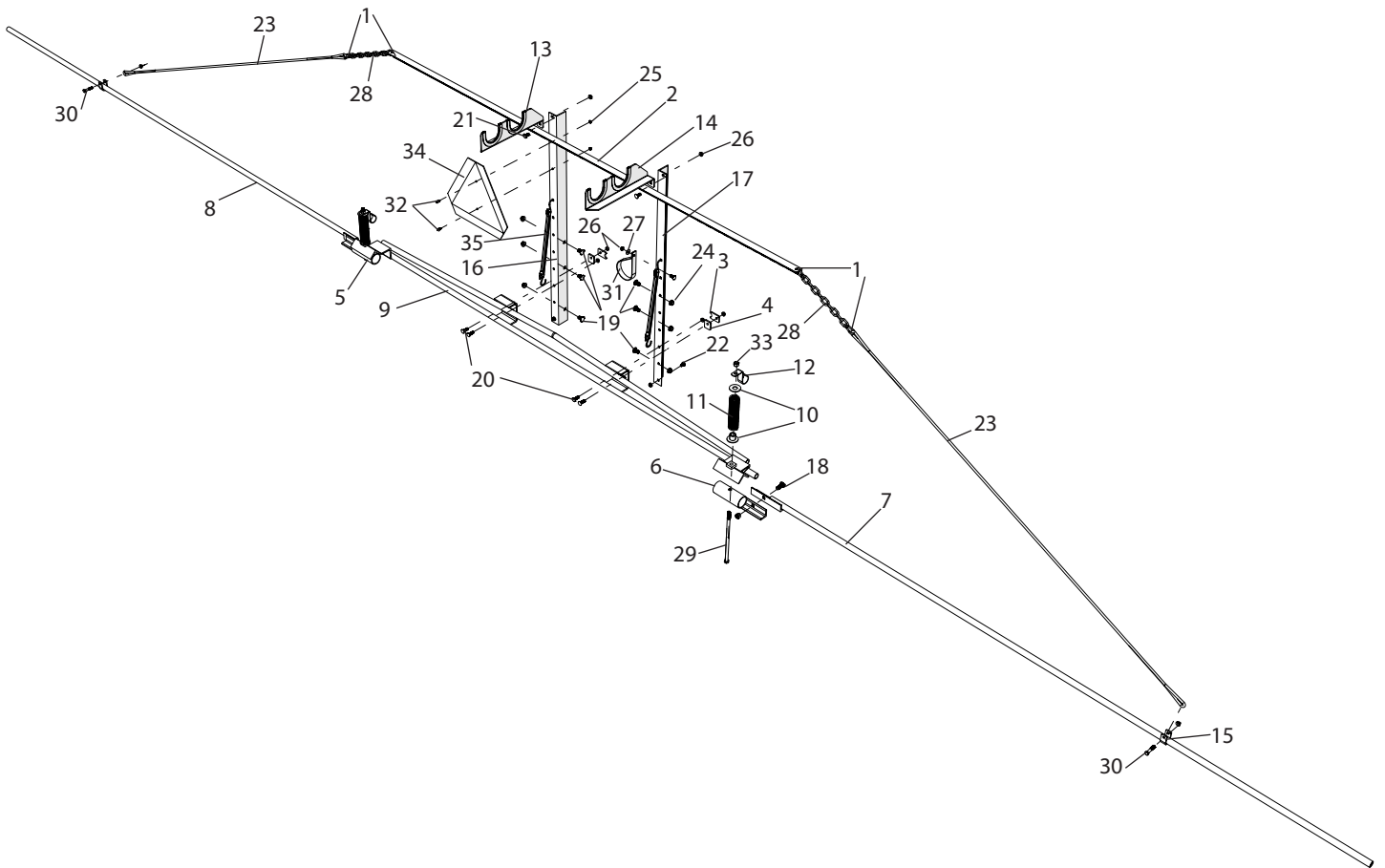


MX30 Breakdown

30' Manual Fold Boom



Ref #	Qty.	Part Number	Description
1	4	245SS14	Snap, Spring Hook 1/4" x 2-3/8" SS
2	1	B101	Top boom support, BF30M
3	2	B103	Clip, Boom Mounting
4	2	B104	Spacer, Boom Mounting Clip
5	1	B105L	Hinge, Boom Left
6	1	B105R	Hinge, Boom Right
7	1	B106L	Boom wing, left, BF30M
8	1	B106R	Boom wing, right, BF30M
9	4	B107	Boom center section, BF30M
10	2	B108	Cap, Spring Black
11	2	B109	Spring, Compression Blk 1-3/4" x 8" x 1/4"
12	1	B110	Hose Holder, Blk
13	1	B111LT	Boom Rest, Left With Trim
14	1	B111RT	Boom Rest, Right With Trim
15	2	B112	Clip, Rope Blk
16	1	BF4013L	Boom mounting angle, left
17	1	BF4013R	Boom mounting angle, right
18	2	CB12*112G5	Bolt, Carriage 1/2-13 x 1-1/2" Gr 5
19	6	CB12*1G5	Bolt, Carriage 1/2-13 x 1" Gr 5
20	4	CB38*114G5	Bolt, Carriage 3/8-16 x 1-1/4" Gr 5
21	3	CB38*1G5	Bolt, Carriage 3/8-16 x 1" Gr 5
22	2	CB38*34G5	Bolt, Carriage 3/8-16 x 3/4" Gr 5
23	2	F348A	Rope, Boom 30ft
24	6	FN12	Nut, Flange 1/2-13
25	2	FN14	Nut, Flange 1/4-20
26	11	FN38	Nut, Flange 3/8-16
27	1	FW38	Washer, Flat 3/8"
28	2.1'	GC316	Chain, Coil Galv 3/16" Proof Gr 30
29	2	H2C12*12	Bolt, Hex 1/2-13 x 12" Gr 2
30	2	H5C38*2	Bolt, Hex 3/8-16 x 2" Gr 5
31	1	HS1000	Hose Holder, Nylon Strap
32	2	MR14*58	Screw, Machine Rd Hd 1/4-20 x 5/8" Phillips Drive
33	4	NNC12	Nut, Lock Nylon 1/2-13
34	1	SMVM	Sign, SMV Metal 14" x 16"
35	2	TS15	Tarp Strap, 15" Rubber