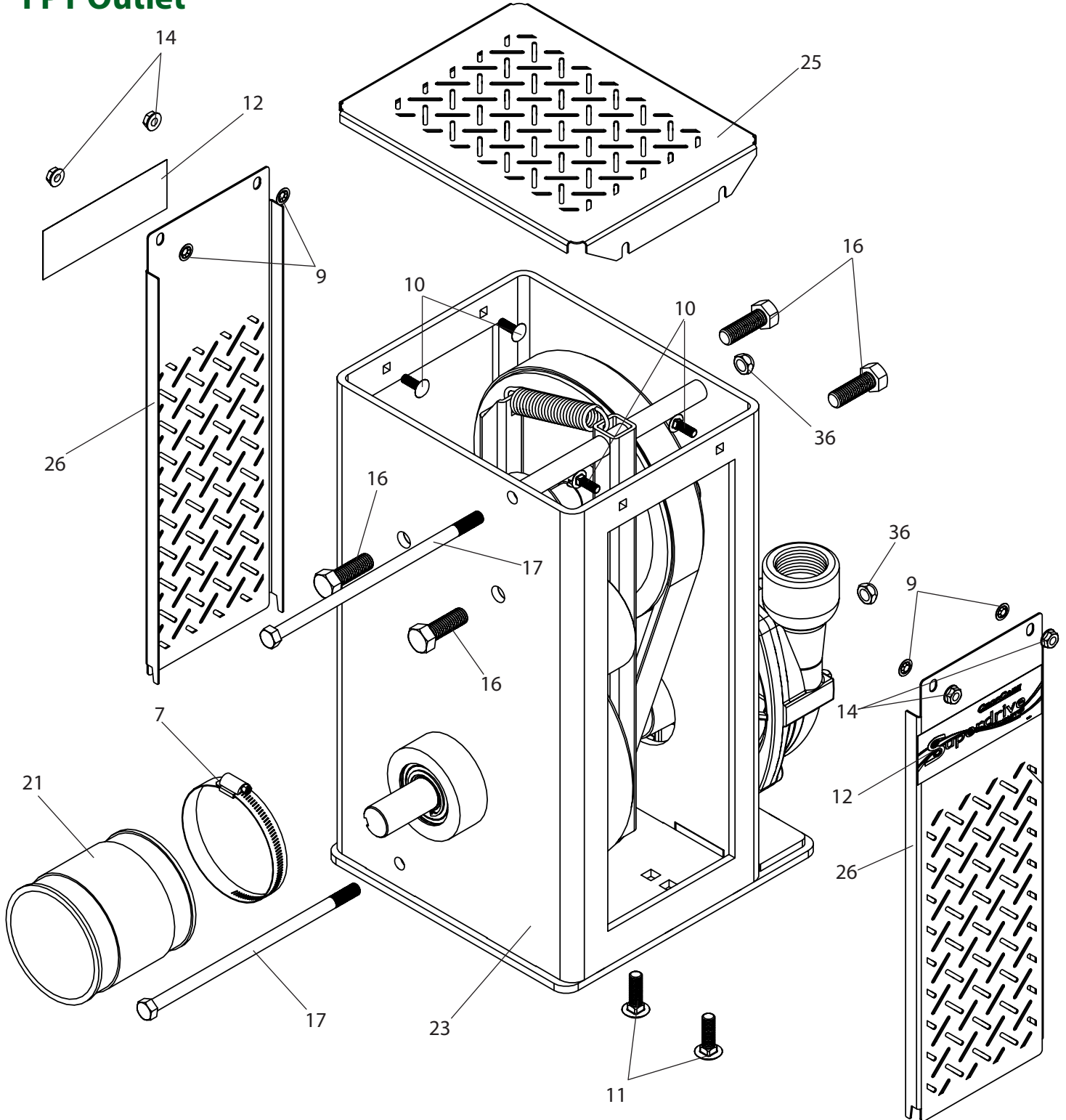


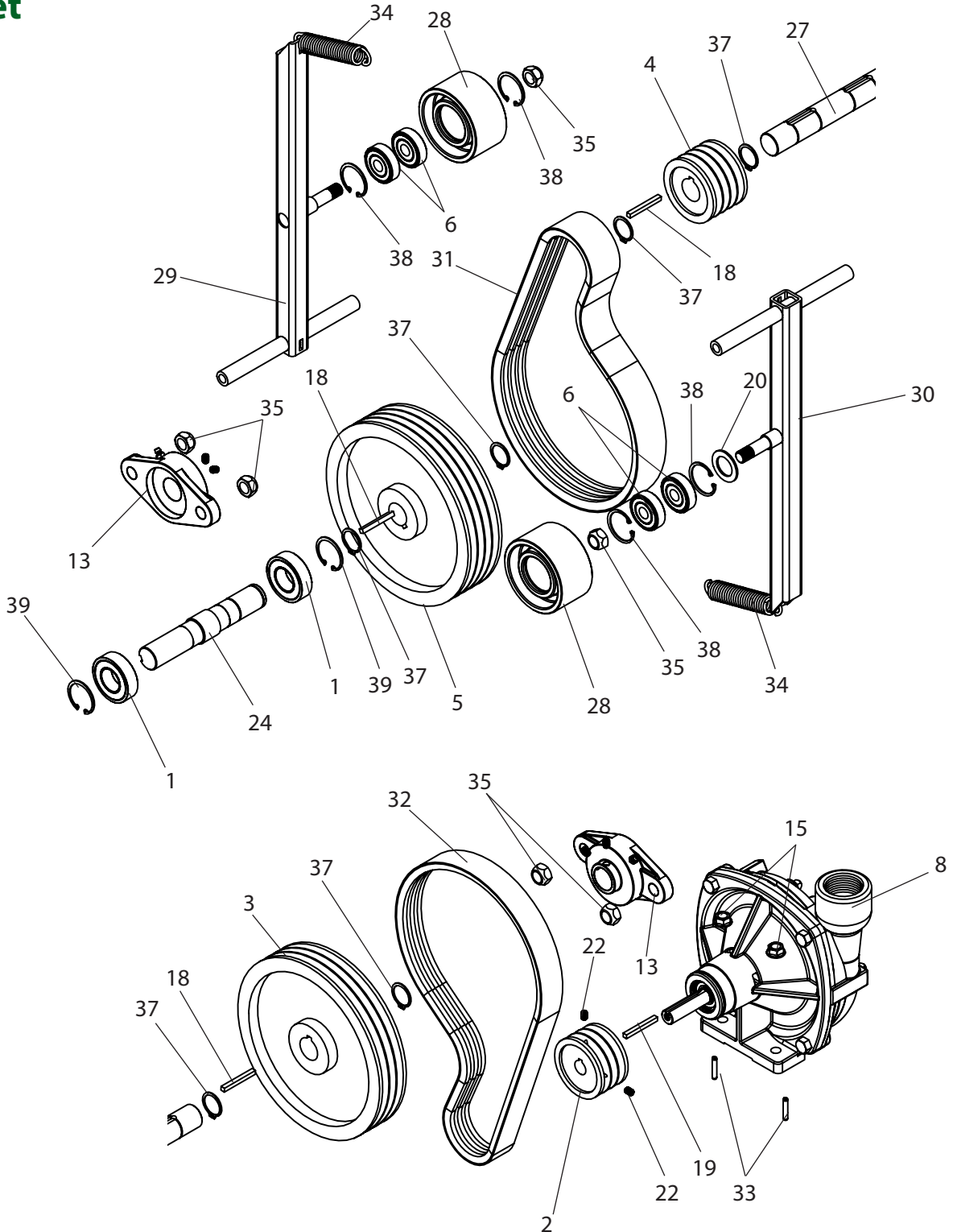
PT150-540B Breakdown

Pump, Superdrive Centrifugal 1" Input Shaft 1-1/2" FPT Inlet x 1-1/4" FPT Outlet



PT150-540B Breakdown

Pump, Superdrive Centrifugal 1" Input Shaft 1-1/2" FPT Inlet x 1-1/4" FPT Outlet



PT150-540B Breakdown

Pump, Superdrive Centrifugal 1" Input Shaft 1-1/2" FPT Inlet x 1-1/4" FPT Outlet

Ref#	Qty.	Part Number	Description
1	2	16412RS	Bearing, Ball 1" ID x 2" OD x 9/16" Wide
2	1	3-3V26510-2	Sheave, 3 Groove 2.65" Dia. 5/8" Bore w/ 2 Set Screws
3	1	3-3V80016	Sheave, 3 Groove 8" Dia. 1" Bore
4	1	4-3V28016	Sheave, 4 Groove 2.8" Dia. 1" Bore
5	1	4-3V80016	Sheave, 4 Groove 8" Dia. 1" Bore
6	4	62032RS-1/2	Bearing, Ball 1/2" ID x 40mm OD x 12mm wide
7	1	6864052	Hose Clamp, 2-1/2" - 4-1/2" SS
8	1	9203C-B*	Pump, Centrifugal Pedestal Mount 5/8" Shaft, 1-1/2" FPT Inlet 1-1/4" FPT Outlet Silicon Carbide Seal
9	4	94807A029	Nut, Push 1/4" Steel Zinc
10	4	CB14*34	Bolt, Carriage 1/4-20 x 3/4" Gr 2
11	2	CB38*114G5	Bolt, Carriage 3/8-16 x 1-1/4" Gr 5
12	2	DE55	Decal, Superdrive Pump Clear Back
13	2	FHSFT20516G	Bearing, Flange Cast 2-hole 1" Bore w/ 2 Set Screws
14	4	FN14	Nut, Flange 1/4-20
15	2	FN38	Nut, Flange 3/8-16
16	4	H5C12*112	Bolt, Hex 1/2-13 x 1-1/2" Gr 5
17	2	H5C38*812	Bolt, Hex 3/8-16 x 8-1/2" Gr 5
18	3	KEY14	Key, Machine 1/4" x 1-1/4" Sq Ends
19	1	KEY316*134	Key, Machine 3/16" x 1-3/4" Sq Ends
20	1	MW12	Washer, Machine 1/2" x 7/8" 14 Ga
21	1	P105633	Coupling, Flex 3"
22	2	SSC14*38	Screw, Allen Set 1/4-20 x 3/8"
23	1	PT1500B	Frame, Superdrive Main Pump
24	1	PT1501B	Shaft, 1" Pump Input
25	1	PT1504B	Cover, Top Superdrive w/ Vent Slots
26	2	PT1506B	Cover, Side Superdrive w/ Heat Slots
27	1	PT1508B	Shaft, 1" Top
28	2	PT1512	Pulley, Idler
29	1	PT1513L	Tensioner Arm, Left
30	1	PT1513R	Tensioner Arm, Right
31	1	R3VX335-4	Belt, Wedge-Band Cogged Carlisle
32	1	R3VX355-3	Belt, Wedge-Band Cogged Carlisle
33	2	RP18*12	Roll Pin, 1/8" x 1/2"
34	2	S-259	Spring, 13/16" x 4" x 0.120"
35	6	SNC12	Nut, Lock Steel 1/2-13
36	2	SNC38	Nut, Lock Steel 3/8-16
37	6	SRE1	Snap Ring, External 1"
38	4	SRI1916	Snap Ring, Internal 1-9/16"
39	2	SRI2	Snap Ring, Internal 2"

*Has breakdown available.