



High Performance PTO Belt Driven Centrifugal Pump



PTOC-150 SERIES

- Suction 1-1/2" - Discharge 1-1/4"
- Stainless Steel Shaft and Wear Ring
- Chemical Resistant Valox® or Optional Cast Iron Impeller
- Standard Viton Carbon/Ceramic seal or Optional Severe Duty Silicon Carbide Mechanical Seal
- Spring loaded idler absorbs shock of PTO engagement.
- Six models available - see back page
- New BAC-15-PIN feature ensures proper alignment

® Registered trademark of GE Plastics

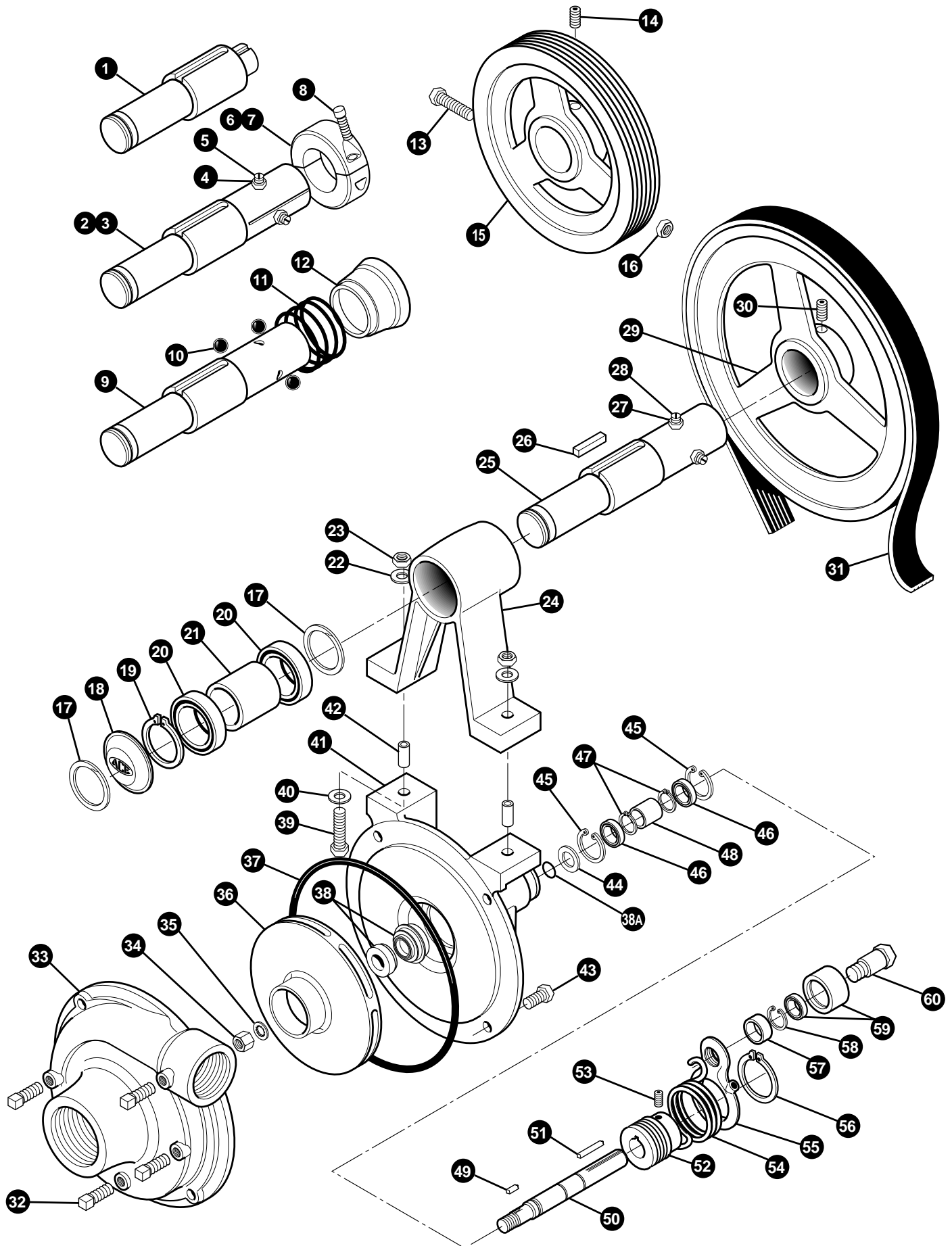
600 RPM PERFORMANCE CHART

Tractor PTO Speed	450 RPM	500 RPM	540 RPM	600 RPM
PSI	GPM	GPM	GPM	GPM
30	87	102	112	122
40	77	93	104	113
50	62	83	96	112
60	10	66	86	104
70	-	32	73	97
80	-	10	45	86
90	-	-	25	72
100	-	-	-	40

1000 RPM PERFORMANCE CHART

Tractor PTO Speed	700 RPM	800 RPM	900 RPM	1000 RPM
PSI	GPM	GPM	GPM	GPM
30	85	90	93	100
40	74	87	90	95
50	67	80	87	90
60	44	74	80	85
70	-	63	72	78
80	-	43	65	72
90	-	-	48	60
100	-	-	15	40

EXPLODED VIEW DRAWING



PARTS LIST

REF. #	PART #	EDP #	DESCRIPTION	REQ.
1	BAC-10-S	40190	1" Tublerod stub drive shaft	1
2	BAC-10-175-20SP	40180	1-3/4" 20 Tooth PTO spline drive shaft, includes BAC-11-175	1
3	BAC-10-21SP	40220	1 3/8" 21 Tooth PTO spline drive shaft, includes BAC-11	1
4, 27	40960	40960	3/8" NC jam nut	3
5, 28	BAC-40	40940	3/8" NC slotted set screw	3
6	BAC-11-175	40236	Locking collar, split ring (for BAC-10-175-20SP shaft)	1
7	BAC-11	40235	Locking collar, split ring (for BAC-10-21SP shaft)	1
8	BAC-11-1	40237	Set screw (for BAC-11 and BAC-11-175 locking collar)	1
9	BAC-10-6SP-QC	40210	1-3/8" 6 Tooth PTO spline drive shaft for quick coupler	1
10	BAC-83-QC	41470	Ball for quick coupler	3
11	BAC-82-QC	41460	Spring for quick coupler	1
12	BAC-81-QC	41450	Ball retainer sleeve for quick coupler	1
13	41250	41250	5/16" NC x 3-1/4" hex head cap screw	1
14, 30	41300	41300	3/8" NC x 5/8" allen head set screw	2
15	BAC-30-10-M-150	40751	7.9" P.D. x 2" Bore Poly-V pulley (for PTOC-150-1000-21SP)	1
15	BAC-30-175-150	40746	7.9" P.D x 2-3/8" Bore Poly-V pulley (for PTOC-150-1000-20SP)	1
16	BAC-63	41260	5/16" NC self locking nut for tumblerod drive	1
17	BAC-34	40830	Internal snap ring, BAC-15 bearing housing	2
18	BAC-27-150-175-M	40506	Name plate (for PTOC-150-1000-20SP)	1
18	BAC-27-150-M	40501	Name plate (for PTOC-150-1000-21SP)	1
18	BAC-27-150-600	40512	Name plate (for PTOC-150-600)	1
19	BAC-35	40840	External snap ring, BAC-10 drive shaft	1
20	BAC-31-1	40781	Sealed ball bearing, BAC-10 drive shaft	2
21	BAC-38-1	40905	Bearing spacer, BAC-10 shaft	1
22	BAC-44	40990	3/8" Lock washer	2
23	BAC-45	41010	3/8" NC Hex nut	2
24	BAC-15	40340	PTO drive shaft bearing housing	1
24	BAC-15-B	40370	Tumblerod drive shaft bearing housing with mounting base	1
25	BAC-10-6SP	40200	1-3/8" 6 Tooth PTO spline drive shaft	1
26	BAC-51	41090	3/8" x 1/2" x 1-1/2" key, PTO drive shaft	1
29	BAC-30-10-150	40741	11.6" P.D. x 2" Bore Poly-V pulley, 10 groove (for 600 RPM models)	1
31①	BAC-28-10-150	40611	Poly-V Belt, 10 groove (for PTOC-150-600)	1
31②	BAC-28-10M-150	40621	Poly-V Belt, 10 groove (for PTOC-150-1000)	1
32	41110	41110	1/8" NPT Pipe plug	3
32	41120	41120	1/8" NPT Pipe plug, stainless steel (optional)	3
33	BAC-12-150	40255	Volute 1-1/2" x 1-1/4", cast iron	1
34	BAC-23-A	40391	Nut, 3/8" NF hex, cad plated lock nut	1
35	BAC-24-HYD-SS	44000	Washer, 3/8", stainless steel	1
36	BAC-26-150	40445	Impeller, cast Iron with keyway(optional)	1
36	BAC-26-150-P	40446	Impeller, with keyway, thermoplastic	1
37①②③	BAC-4-150	40015	"O" Ring volute seal	1
38	BAC-7SC	40152	Silicon carbide mechanical seal (includes 40160) (optional)	1
38①②③	BAC-7V	40151	Viton mechanical seal (includes 40160 "O" Ring)	1
38A①②③	40160	40160	"O" ring for mechanical seal	1
39	BAC-42	40970	3/8" NC x 2" Hex head cap screw	2
40	BAC-43	40980	3/8" Flat washer	2
41	BAC-14-150-MIA	40308	Mounting frame, machined for idler arm	1
42	BAC-15-PIN	40799	Alignment pin	2
43	40930	40930	3/8" NC x 3/4" hex head cap screw, stainless steel (optional)	4
43	40950	40950	3/8" NC x 3/4" hex head cap screw	4
44	BAC-54	41130	Slinger	1
45	BAC-33	40810	Internal snap ring for mounting frame	2
46	BAC-37	40870	Sealed ball bearing for pump shaft	2
47	BAC-32	40790	External snap ring for driven pump shaft	2
48	BAC-32-S	40795	Spacer for pump shaft	1
49	BACH-25	40420	Key for impeller, 1/8" x 1/8" x 1/2"	1
50	BAC-6-150/200	40055	5/8" Driven Shaft, with keyway	1
50	BAC-6-150/200-SS	40056	5/8" Driven Shaft, with keyway, stainless steel (optional)	1
51	BAC-50	41080	3/16" x 3/16" x 1-1/4" key	1
52	BAC-29-10-1.35	40675	1.35" P.D. x 5/8" Bore Poly-V pulley, 10 groove(PTOC-150-600)	1
52	BAC-29-10-1.7	40681	1.7" P.D. x 5/8" Bore Poly-V pulley, 10 groove(PTOC-150-1000)	1
53	BAC-57	41180	5/16" NC x 5/16" allen head set screw for BAC-29-10 pulley	2
54	BAC-5-150	40035	Idler mounted torsoin spring for 150 series	1
55	BAC-13	40270	Idler arm	1
56	BAC-36	40850	External snap ring, BAC-13 idler arm	1
57	BAC-46	41020	5/8" Spacer	1
58	41070	41070	Retainer ring	1
59	BAC-55	41140	Idler bearing and outer roller assembly	1
60	BAC-47	41040	5/8" NC x 2-1/8" hex head idler cap screw	1
#	BAC-52	41100	1/4" cold shut, torque chain anchor	1
#	BAC-58	41190	Zerk fitting, 1/4" NPT, for idler arm	1
#	BAC-55-A	41150	Idler arm assembly (includes 55 through 60 and BAC-58)	-
#	BGKB-150	52605	Belt and shaft guard kit for all PTOC-150 pumps	-
①	RK-PTOC-150-600	51155	Repair kit for 600 RPM models, includes belt, seal, gasket, and "O" ring	-
②	RK-PTOC-150-1000	51255	Repair kit for 1000 RPM, includes belt, seal, gasket, and "O" ring	-
③	RK-FMC-150	52710	Repair kit for pump only, includes seal, gasket, and "O" ring	-
#	FMC-150-MIA	47008	Pump end only, machined to accept idler arm	-

Not shown in exploded view drawing.



PTO SHAFT OPTIONS:



PTOC-150-600-6SP



PTOC-150-600-6SPQC



PTOC-150-600-B



PTOC-150-1000-21SP



PTOC-150-1000-20SP



PTOC-150-1000-B

DIMENSIONS

