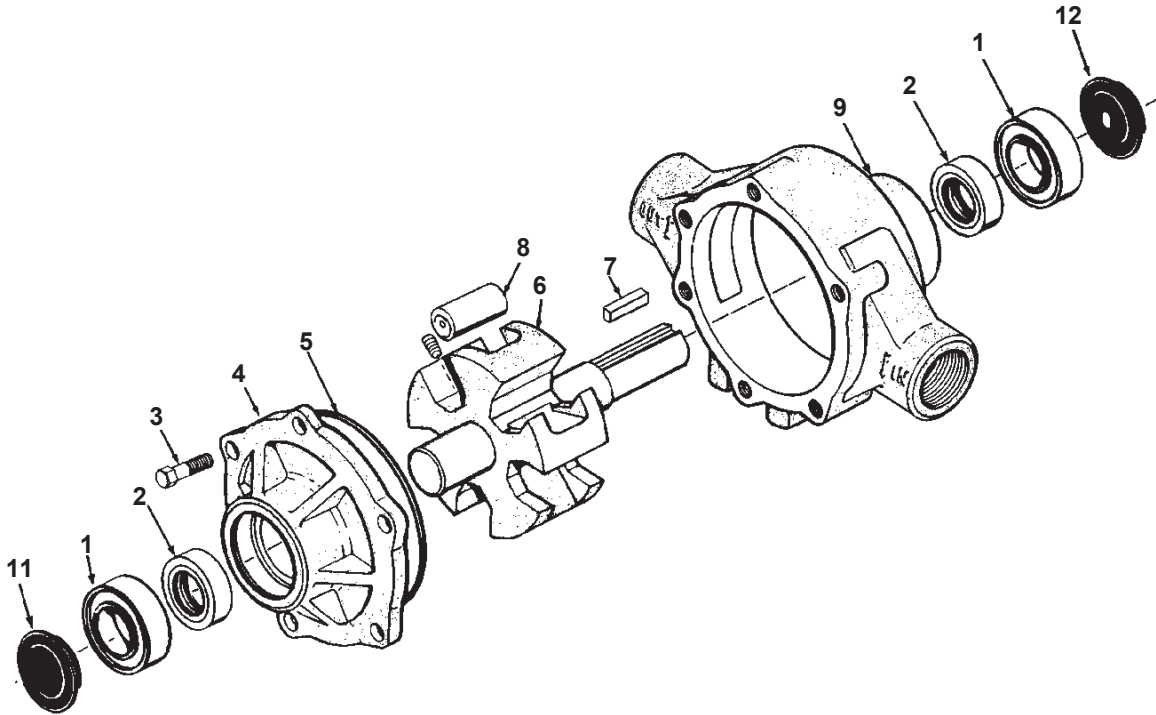


1700C, 1700N, 1700XL Breakdown

Pump, 5-Roller 15/16" Shaft 1" FPT ports, Cast Iron (1700C) Ni-Resist (1700N) SilverCast (1700XL)



Ref#	Qty.	Part Number	Description
1	2	20080001	Bearing, Hypro Pumps (1700) (7700)
2	2	2112-0003 +	Viton Seal (Standard)
3	6	2210-0005	Bolt
4	1	0200-1700C	Endplate (Cast Iron) with Seal
4	1	0200-1700N	Endplate (Ni-Resist) with Seal
4	1	0200-1700XL	Endplate (SilverCast) with Seal
5	1	1720-0099 +	O-ring Gasket for Endplate
6	1	0300-1700C	Rotor (Cast Iron) with shaft (Std. Rotation)
6	1	0300-1700N	Rotor (Ni-Resist) with shaft (Std. Rotation)
6	1	0300-1700XL	Rotor (SilverCast) with shaft (Std. Rotation)
7	1	1610-0005	Key
8	5	1005-0005 +	Super Roller (Standard)
9	1	0100-1700C	Body (Cast Iron) with Seal
9	1	0100-1700N	Body (Ni-Resist) with Seal
9	1	0100-1700XL	Body (SilverCast) with Seal
11	1	23000020	Bearing Cover
12	1	23000022	Shaft Bearing Cover

+ Items included in rebuild kit Part# 34300383 (Kit, Rebuild 1700 Roller Pump Includes Rollers O-ring Seals)